

Product catalogue

Disposable gowns, drapes and disposable apparel

Table of content.....	3-5
A Code index REFERENCE numbers.....	6-7
B Code index STERILE numbers.....	8-9
C Code index NON STERILE numbers.....	10
1 Surgical gowns.....	11
1.1 SMS surgical gowns Standard.....	11
1.1 SMS surgical gowns Reinforced	11
1.3 Prestico® surgical gowns Standard and Reinforced	13
1.4 Spunlace surgical gowns Standard and reinforced.....	14
1.5 Haloguard gown.....	15
1.6 TUR-gown	15
2 General drapes.....	16
2.1 Table covers	16
2.2 Double Table covers (Mega)Table covers	17
2.3 Mayo covers	18
2.4 General drapes SMS and Prestico®	19
2.5 General drapes 2-ply material	20
2.6 General drapes 3-ply material	22
2.7 General drapes Spunlace material.....	24
2.8 General drapes PE transparent	25
3 General surgery	26
3.1 Top drapes	26
3.2 Top drapes U-Bar	27
3.3 Bottom drapes	28
3.4 Side drapes.....	29
3.5 Split drapes	30
3.6 General drapes with fenestration	36
4 Orthopedics	49
4.1. Extremity drapes.....	49
4.2 Arthroscopy drapes	54
4.3 Shoulder drapes.....	55
4.4 Hip drapes.....	57
5 Neurology.....	60
5.1 HNP drapes (Hernia Nuclei Pulposi)	60
5.2 Craniotomy drapes	60

6 Gynaecology, obstetrics and urology.....	63
6.1 Laparoscopy /-tomy drapes.....	63
6.2 C-Section drapes.....	64
6.3 Gynaecology - Laparatomy drapes.....	66
6.4 Gynaecology - Urology drapes.....	72
6.5 Under buttocks drapes.....	76
6.6 Perineal drapes.....	77
6.7 T.U.R. drapes.....	78
6.8 Urology drapes other.....	84
7 Ophthalmic surgery.....	85
7.1 Eye drapes with 2 fluid pouches.....	85
7.2 Eye drapes with 1 fluid pouch.....	87
7.3 Eye drapes other (without pouch).....	88
8 ENT (Ear-Nose-Throat).....	89
8.1 Head drapes.....	89
8.2 Facial drapes.....	90
8.3 Dental drapes.....	91
9 Cardiovascular surgery.....	94
9.1 Cardiovascular drape.....	94
10 Angiography.....	95
10.1 Femoral Angio drapes.....	95
10.2 Femoral Radial Angiography drapes.....	103
10.3 Pacemaker drapes.....	112
11 Anesthesia drapes.....	116
11.1 CV drapes.....	116
12 Pediatric drapes.....	118
12.1 Top/Bottom drape.....	118
12.2 Side drape.....	118
12.3 Spunlace drapes.....	119
12.4 Fenestrated drape.....	119
12.5 Angio drape.....	121
13 Standard drape packs.....	122
13.1 Universal pack.....	122
14 Drapes for outpatient unit.....	123
14.1 Tissue laminated drapes.....	123
14.2 Tissue laminate fenestrated drapes.....	123
14.3 Small drapes, 2-ply material.....	124
14.4 Drapes with variable fenestration (Omega).....	124
14.5 Hand drape.....	126
14.6 Extremity drape.....	127
14.7 Gyn-Uro drape.....	128

15 Accessories.....	129
15.1 Tape strip	129
15.2 Cable holder.....	129
15.3 Armsleeve	130
15.4 Chair cover	130
15.5 Back chair cover	130
15.6 Leg cover.....	131
15.7 Armrest cover	131
15.8 Navigation cover	131
15.9 Stockinettes	132
15.10 Roll stockinettes	132
15.11 Towel	133
15.12 Baby blanket	133
15.13 Diathermy bags	134
15.14 (Fluid collection) pouches.....	137
15.15 Transparent covers.....	140
16 Equipment covers.....	141
16.1 Dome bags, round.....	141
16.2 Band bags, special.....	142
16.3 Band bags square.....	143
16.4 Drill covers.....	143
16.5 Probe covers	144
16.6 Camera covers	144
16.7 Astopad covers.....	145
17 Disposable apparel.....	146
17.1 Visitor gowns	146
17.2 SMS isolation gown.....	146
17.3 ICU-gown / patient gown.....	147
17.4 Warm up jacket.....	148
17.5 Coverall	148
17.6 Aprons.....	149
17.7 Headware	150
17.8 Shoe cover.....	150

A Code index REFERENCE numbers

Number	Page	Number	Page	Number	Page	Number	Page	Number	Page
1301114	37, 124	1301927	19	1302275	58	1302844	77	1303345	12
1301229	99	1301928	49	1302290	89	1302896	92	1303346	12
1301238	40	1301929	54	1302291	34	1302905	16	1303371	64
1301263	95	1301932	72	1302292	59	1302906	71	1303372	38
1301295	91	1301949	94	1302299	93	1302933	129	1303391	140
1301298	114	1301958	16	1302311	30	1302934	129	1303414	37
1301305	114	1301961	90	1302382	80	1302935	129	1303421	111
1301318	138	1301963	60	1302386	141	1302943	43	1303433	116
1301336	20	1301975	20	1302399	78	1302945	32	1303442	143
1301341	130	1301976	49	1302425	92	1302993	50	1303456	81
1301342	39, 93	1301977	49	1302460	25	1302999	31	1303476	123
1301359	91	1301983	112	1302480	89	1303070	118	1303480	123
1301367	22	1301985	86	1302482	89	1303075	117	1303482	66
1301372	20	1301990	22	1302483	91	1303099	68	1303542	139
1301441	39	1301991	23	1302484	84	1303107	87	1303565	143
1301443	21	1301993	36, 88	1302485	37	1303116	143	1303578	20
1301446	21	1301995	86	1302486	91	1303147	113	1303579	20
1301491	132	1302005	20	1302511	142	1303148	137	1303584	48
1301499	23	1302020	45, 63	1302512	138	1303159	147	1303591	109
1301513	132	1302056	100	1302542	51	1303160	149	1303592	108
1301539	38	1302064	52	1302544	56	1303164	70	1303663	140
1301547	97	1302078	135	1302545	51	1303194	61	1303676	30
1301555	24, 119	1302079	117	1302550	130	1303195	117	1303677	32
1301564	96	1302080	135	1302551	39, 93	1303198	141	1303678	49
1301574	20	1302082	135	1302555	44	1303204	16	1303679	53
1301576	127	1302084	134	1302556	30	1303205	16	1303680	55
1301578	40	1302095	121	1302557	143	1303206	16	1303681	57
1301584	83	1302102	129	1302563	65	1303207	16	1303688	79
1301673	149	1302104	129	1302566	81	1303208	16	1303752	64
1301691	145	1302112	143	1302568	136	1303209	16	1303754	110
1301725	85	1302124	40, 88	1302593	46	1303224	35	1303760	73
1301739	131	1302127	75, 128	1302620	25	1303225	42, 63	1303776	77
1301741	15	1302128	75	1302633	72	1303241	106	1303778	25
1301824	125	1302149	134	1302640	55	1303245	116	1303788	67
1301829	14	1302168	26	1302641	53	1303256	118	1303798	41, 63
1301853	20	1302169	28	1302650	76	1303257	118	1303804	12
1301874	14	1302170	29	1302658	74	1303277	119	1303805	11
1301878	14	1302182	69	1302670	143	1303288	123	1303806	19
1301880	26	1302185	135	1302673	120	1303289	123	1303811	37
1301881	28	1302215	98	1302676	142	1303290	116	1303820	123
1301882	29	1302219	11	1302700	105	1303335	11	1303873	30
1301902	18	1302220	11	1302746	73	1303336	11	1303875	27
1301907	104	1302221	11	1302776	92	1303337	11	1303876	52
1301908	103	1302223	12	1302777	147	1303338	11	1303877	112
1301915	149	1302228	19	1302779	107	1303339	11	1303884	35
1301920	31	1302231	36	1302783	16	1303340	11	1303901	143
1301921	19	1302232	36	1302805	47, 63	1303341	12	1303935	16
1301924	76	1302233	36	1302806	18	1303342	12	1303945	21
1301925	131	1302235	85	1302829	26	1303343	12	1303957	39
1301926	53, 126	1302265	134	1302830	28	1303344	12	1303971	76

A Code index REFERENCE numbers (part 2)

Number	Page	Number	Page	Number	Page	Number	Page
1304011	16	1304681	142	1306758	16	1307344	13
1304035	92	1304683	38	1306759	16	1307345	13
1304040	88	1304688	131	1306760	18	1307346	13
1304050	26	1304731	143	1306800	139	1307350	13
1304051	28	1304732	143	1306929	133	1307351	13
1304053	29	1304745	142	1306944	130	1307379	132
1304055	39	1304746	137	1306945	24, 133	1307380	132
1304062	11	1304772	142	1306946	24	1308756	141
1304063	11	1304775	143	1306950	85	1309403	38, 124
1304073	21	1304778	34	1306951	119	1309415	21
1304079	23	1304792	132	1306954	35, 133	1309428	21
1304088	20	1304793	132	1306965	89	1309428	20, 124
1304099	20	1304803	17	1306993	24	1309480	135
1304103	21	1304814	143	1307023	115	1309495	20
1304116	88	1304815	130	1307039	24	1309572	20, 124
1304178	15	1304816	143	1307069	26	1309812	137
1304179	15	1304833	143	1307073	28	1309963	123
1304181	16	1304849	20	1307074	29		
1304184	138	1304850	22	1307075	32		
1304197	137	1304851	22	1307076	14		
1304199	27	1304852	22	1307079	31		
1304201	142	1304853	23	1307081	101		
1304213	11	1304854	141	1307093	24, 119		
1304214	11	1304861	141	1307094	125		
1304223	82	1304872	67	1307096	24		
1304268	26	1304873	142	1307133	88		
1304271	102	1304880	53	1307138	27		
1304307	131	1305218	135	1307156	55		
1304311	123	1305854	134	1307176	27		
1304326	31	1306166	141	1307182	142		
1304353	21	1306195	141	1307188	25		
1304361	142	1306197	141	1307210	143		
1304372	143	1306199	141	1307211	33		
1304391	25	1306204	142	1307214	130		
1304404	136	1306205	142	1307241	39, 88		
1304426	81	1306206	142	1307243	132		
1304439	143	1306207	142	1307244	62		
1304553	54	1306208	142	1307253	31		
1304565	17	1306209	142	1307267	32		
1304571	138	1306211	142	1307298	147		
1304578	23	1306212	142	1307299	77		
1304579	23	1306748	11	1307335	13		
1304589	143	1306749	11	1307336	13		
1304606	143	1306750	11	1307337	13		
1304630	49	1306752	12	1307338	13		
1304631	143	1306753	12	1307339	13		
1304638	141	1306754	16	1307340	13		
1304667	143	1306755	16	1307341	13		
1304672	33	1306756	16	1307342	13		
1304679	133	1306757	16	1307343	13		

B Code index STERILE numbers

Number	Page	Number	Page	Number	Page	Number	Page	Number	Page
34934	138	2541140	141	102040AA	20	103664AA	135	105256AA	80
68500	142	2541940	11	102329AA	100	103666AA	133	105260AA	26
68505	141	2542090	14	102444AA	117	103670AA	96	105264AA	56
68510	142	2542120	14	102636AA	85	103671AA	97	105336AA	89
68520	142	2542150	14	103019AA	135	103677AA	24, 133	105337AA	31
68521	143	2542350	15	103148AA	134	103679AA	89	105362AA	21
68522	141	2542530	11	103466AA	35	103680AA	130	105432AA	20
68523	141	2542540	11	103468AA	24, 119	103682AA	21	105456AA	33
68524	142	2542550	11	103470AA	20	103697AA	49	105683AA	28
68526	143	2542560	13	103472AA	39	103698AA	61	105762AA	58
68529	143	2542570	13	103473AA	39	103724AA	142	105763AA	132
68530	141	2542580	13	103474AA	38	103744AA	142	105764AA	132
68531	141	2542590	13	103476AA	125	103844AA	24, 119	105832AA	142
68534	143	2542600	13	103477AA	40	103847AA	90	105965AA	44
68535	143	2542610	13	103492AA	83	103848AA	18	106045AA	65
68538	141	2542650	13	103495AA	39	103849AA	18	106052AA	45
68539	143	2542660	13	103496AA	91	103855AA	62	106072AA	75
68540	143	2542670	13	103497AA	91	104030AA	32	106082AA	55
68542	143	2542680	13	103500AA	99	104362AA	54	106168AA	51
68543	136	2542690	13	103502AA	69	104388AA	77	106176AA	27
68545	143	2542700	13	103505AA	114	104425AA	142	106180AA	29
68548	142	2544230	13	103506AA	114	104522AA	121	106183AA	30
68549	142	2544510	12	103507AA	115	104529AA	20	106190AA	19
68550	143	2544520	11	103509AA	130	104530AA	20	106191AA	19
68551	143	2544530	11	103513AA	134	104531AA	20	106194AA	91
68552	142	2544540	11	103516AA	119	104532AA	20	106195AA	91
68553	143	2544550	11	103547AA	135	104533AA	21	106201AA	19
68554	143	2544560	11	103621AA	16	104534AA	21	106222AA	36
68555	142	2544570	11	103622AA	16	104535AA	40	106225AA	76
68556	143	2544580	11	103623AA	16	104536AA	49	106227AA	49
68557	142	2544590	12	103624AA	16	104537AA	128	106233AA	37
68559	142	2544600	12	103635AA	16	104538AA	75	106234AA	51
68561	141	2544610	12	103636AA	16	104541AA	104	106236AA	126
68563	142	2544620	12	103638AA	26	104542AA	112	106238AA	53
68565	141	2544630	12	103639AA	28	104545AA	132	106239AA	72
68568	142	2544640	12	103640AA	29	104546AA	132	106244AA	81
68569	141	2544650	12	103642AA	31	104547AA	132	106246AA	78
68570	143	2544660	11	103642AA	31	104550AA	16	106247AA	84
68571	143	2544670	11	103643AA	32	104553AB	103	106248AA	85
77000	21, 124	2544680	15	103646AA	85	104556AA	52	106252AA	89
77001	20, 124	2544690	15	103647AA	92	104733AA	34	106253AA	89
77002	38, 124	2544700	11	103648AA	95	104753AA	23	106259AA	131
77003	38, 124	2544710	11	103649AA	101	104772AA	86	106260AA	131
2540530	11	2544990	11	103655AA	135	105003AA	28	106263AA	36
2540540	11	2580810	135	103657AA	24	105005AA	29	106264AA	36
2540580	12	100532AA	20	103658AA	24	105006AA	30	106275AA	27
2540590	12	101428AA	137	103659AA	24	105066AA	59	106289AA	23
2540650	14	101964AA	139	103661AA	24	105113AA	26	106498AA	76

B Code index STERILE numbers (part 2)

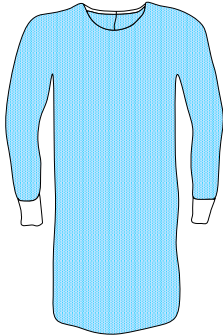
Number	Page	Number	Page	Number	Page	Number	Page
106550AA	74	110030AA	86	11172EG	129	116055AA	17
106558AA	94	11011EGA	11	11173EG	18	116581AA	132
106613AA	136	11013EGA	11	11176EG	19	116582AA	132
106850AA	73	11015EG	11	112225AA	23	116670AA	67
106871AA	107	11016EGA	11	112226AA	27	117067AA	18
107090AA	47	110205AA	20	112227AA	30	117078AA	16
107127AA	105	110206AA	21	112228AA	32	117035AA	20
107134AA	53	110217AA	42	112229AA	35	117071AA	21
107307AA	71	110234AA	25	112230AA	120	117037AA	38
107413AA	55	110236AA	28	112231AA	49	117066AA	90
107511AA	18	110238AA	39	112232AA	52	117058AA	97
107691AA	92	110239AA	37	112233AA	53	117074AA	112
107697AA	32	110239AA	37	112234AA	55	117042AA	114
107949AA	26	110240AA	46	112235AA	77	117046AA	135
108016AA	43	110243AA	66	112295AA	57	117062AA	130
108024AA	92	110246AA	93	112296AA	79	117077AA	132
108025AA	88	110247AA	116	112297AA	98	22T788C	129
108165AA	68	110248AA	118	112298AA	112	22T790A	129
108198AA	88	110249AA	125	112299AA	119	77018EG	122
108234AA	134	110250AA	16	112309AA	130	94003A	142
108255AA	87	110252AA	25	112310AA	131	94021EG	11
108381AA	50	11038EG	31	112312AA	37	94022EG	11
108385AA	117	110429AA	39	113795AA	137		
108390AA	137	110431AA	139	113845AA	16		
108396AA	113	11052EGC	16	113979AA	138		
108406AA	22	11055EG	49	114201AA	28		
108415AA	70	11056EGA	54	114314AA	76		
108471AA	134	110770AA	108	114316AA	26		
108473AA	135	110799AA	129	114317AA	29		
108485AA	60	11081EG	18	114421AA	131		
108604AA	129	110935AA	130	114594AA	102		
108695AA	109	110952AA	138	114718AA	16		
108740AA	117	11100EGC	13	114719AA	21		
108761AA	142	11101EGC	13	114720AA	31		
108764AA	129	11102EGC	13	114727AA	27		
108767AA	116	11103EGC	13	114787AA	136		
108820AA	118	11104EGC	13	11500EG	11		
108821AA	118	111063AA	30	11504EG	11		
108989AA	116	11110EGC	13	11505EG	11		
109352AA	37	111286AA	64	11507EG	11		
109448AA	106	111327AA	73	11508EG	11		
109532AA	31	111337AA	77	11509EG	11		
109718AA	36	111433AA	25	11513EG	12		
109875AA	111	111466AA	67	11515EG	16		
109947AA	127	111499AA	41	115441AA	54		
109972AA	64	111500AA	48	115731AA	49		
109974AA	82	111526AA	19	115766AA	17		
11000EGA	122	111666AA	35	115833AA	133		

C Code index NON STERILE numbers

Number	Page
06470	148
06536	149
06542	145
06567	14
06578	14
06579	145
06580	145
06582A	149
06615A	149
06639	11
06662A	146
06664	147
06665	147
06666	147
06667	145
06668	148
06669	148
06670	145
06671	146
06673	147
06675	142
06677	92
06679	11
06681	141
06682	141
06683	142
17085	130
67500	133
83388	144
83389	144
104201AA	147
106914AA	147
108286AA	147

1 Surgical gowns

1.1 SMS surgical gowns **STANDARD**



SMS

Length SMS:

L is 120cm, XL is 132cm and XXL is 142cm

XLong is about 12cm longer than the regular version.

L-XXL has a length of 155cm.

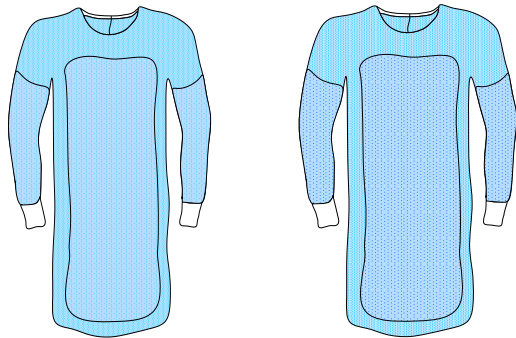
The gowns have elastic cuffs and a velcro neck closure.

Sterile gown is packed in a wrap and peelable bag.

Gowns are latex free and comply with the EN13795 norm.

Size	Type	Reference number	Ordernumber sterile	Ordernumber non sterile
L	SMS Basic	1303335	2544530 / 11504EG	
XL	SMS Basic	1303336	2544540 / 11507EG	
XXL	SMS Basic	1303337	2544550 / 11505EG	06679
L -Xlong	SMS Basic	1303338	2544560 / 11500EG	06678A
XL- Xlong	SMS Basic	1303339	2544570 / 11508EG	06639
XXL-Xlong	SMS Basic	1303340	2544990 (was 2544580)	06684
Basic gown: for relatively dry procedures				
L -Xlong	SMS Basic Pro	1304213	2544700 / 94021EG	
XL -XLong	SMS Basic Pro**	1304214	2544710 / 94022EG	
Basic Pro gown: for relatively dry procedures ** XL-XL = 137cm long (vs 144cm)				
L	SMS Standard	1306748	2540540 / 11011EGA	
XL	SMS Standard	1306749	2541940 / 11013EGA	06562C
XXL	SMS Standard	1306750	2540530	
L -Xlong	SMS Standard	1302219	2542530 / 11015EG	
XL- Xlong	SMS Standard	1302220	2542540 / 11016EGA	
XXL-Xlong	SMS Standard	1302221	2542550	
L- XXL	SMS Standard	1303805	2544520	
Standard gown: for relatively dry procedures				
L-XL	SMS Standard Pro	1304063	2544660	
XL-XL	SMS Standard Pro	1304062	2544670	
Standard Pro gown: for relatively dry procedures				

1.2 SMS surgical gowns **REINFORCED**



● SMS ● FRF

● SMS ● PRF

Size	Type	Reference number	Ordernumber sterile
XL	SMS Material reinforced (FRF)	1306752	2540580
XXL	SMS Material reinforced (FRF)	1306753	2540590
XL-XXL	SMS Material reinforced (FRF)	1302223	2544650
Material reinforced: for relatively wet procedures			
L	SMS Polyethylene reinforced (PRF)	1303341	2544590
XL	SMS Polyethylene reinforced (PRF)	1303342	2544600
XXL	SMS Polyethylene reinforced (PRF)	1303343	2544610
L -Xlong	SMS Polyethylene reinforced (PRF)	1303344	2544620 / 11506EG
XL -Xlong	SMS Polyethylene reinforced (PRF)	1303345	2544630 / 11513EG
XXL -Xlong	SMS Polyethylene reinforced (PRF)	1303346	2544640
L-XXL	SMS Polyethylene reinforced (PRF)	1303804	2544510
Polyethylene reinforced (PRF): proofed at sleeves and chest/abdominal section, for high level wet procedures.			

Length SMS:

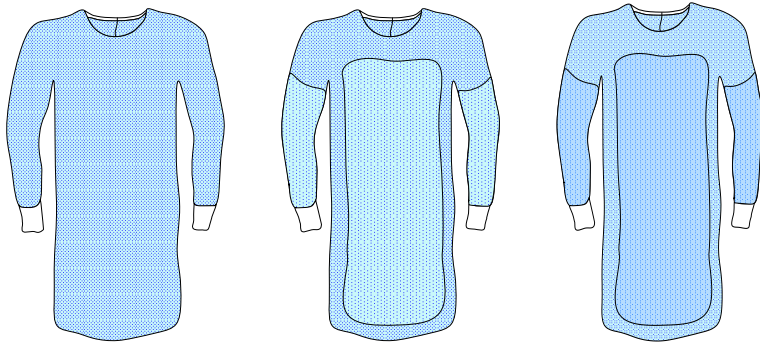
L is 120cm, XL is 132cm and XXL is 142cm
 XLong is about 12cm longer than the regular version.
 L-XXL has a length of 155cm.

The gowns have elastic cuffs and a velcro neck closure.

Sterile gown is packed in a wrap and peelable bag.

Gowns are latex free and comply with the EN13795 norm.

1.3 Prestico® surgical gowns **STANDARD** and **REINFORCED**



 Prestico®

 Prestico®  FRF

 Prestico®  PRF

Size	Type	Reference number	Ordernumber sterile
L	Prestico® Standard	1307335	2542560 / 11100EGC
XL	Prestico® Standard	1307336	2542570 / 11101EGC
XXL	Prestico® Standard	1307337	2542580 / 11102EGC
L -Xlong	Prestico® Standard	1307338	2542590 / 11103EGC
XL -Xlong	Prestico® Standard	1307339	2542600 / 11104EGC
XXL -Xlong	Prestico® Standard	1307340	2542610
Standard gown: for relatively dry procedures			
L	Prestico® Material reinforced (FRF)	1307341	2542650
XL	Prestico® Material reinforced (FRF)	1307342	2542660
XXL	Prestico® Material reinforced (FRF)	1307343	2542670
L -Xlong	Prestico® Material reinforced (FRF)	1307344	2542680
XL -Xlong	Prestico® Material reinforced (FRF)	1307345	2542690 / 11110EGC
XXL -Xlong	Prestico® Material reinforced (FRF)	1307346	2542700
Material reinforced: for relatively wet procedures			
L -Xlong	Prestico® Polyethylene reinforced (PRF)	1307350	2544240
XL -Xlong	Prestico® Polyethylene reinforced (PRF)	1307351	2544230 / 11116EGC
Polyethylene reinforced (PRF): proofed at sleeves and chest/abdominal section, for high level wet procedures.			

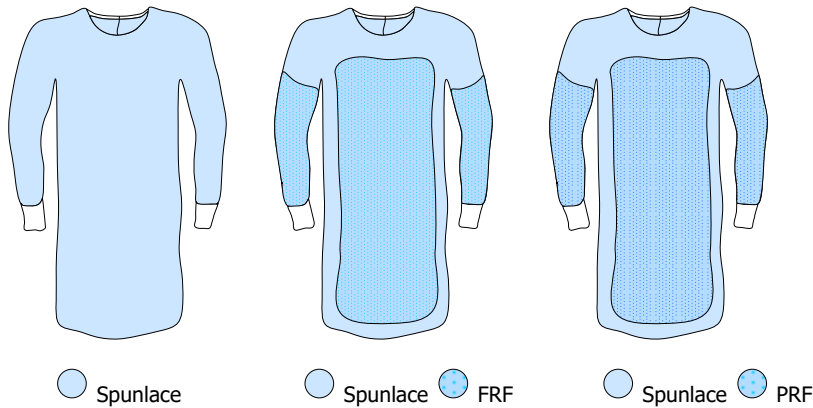
Length Prestico: L is 120cm, XL is 132cm and XXL is 142cm.
 XLong is about 12cm longer than the regular version.
 L-XXL has a length of 155cm.

The gowns have elastic cuffs and a velcro neck closure.

Sterile gown is packed in a wrap and peelable bag.

Gowns are latex free and comply with the EN13795 norm.

1.4 Spunlace surgical gowns **STANDARD** and **REINFORCED**



Size	Type	Reference number	Ordernumber sterile	Ordernumber non sterile
XL -Xlong	Standard	1301874	2542090	
Standard gown: for relatively dry procedures				
L	Material reinforced (FRF)	1307076	2540650	06567
XL -Xlong	Material reinforced (FRF)	1301829	2542120	
Material reinforced: for relatively wet procedures				
XL -Xlong	Polyethylene reinforced (PRF)	1301878	2542150	06578
Polyethylene reinforced (PRF): proofed at sleeves and chest/abdominal section, for high level wet procedures				

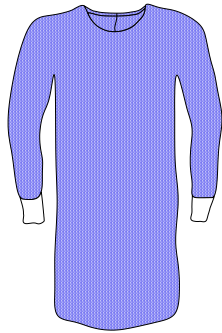
Length:
L is 122cm and XL-XL is 142cm.


The gowns have elastic cuffs and a velcro neck closure.

Sterile gown is packed in a wrap and peelable bag.

Gowns are latex free and comply with the EN13795 norm.

1.5 Haloguard gown (breathable high performance gown)



 non-woven with breathing PE layer

Gown only in –Xlong version.

The breathable material gives extra wearing comfort and yet maximum protection.

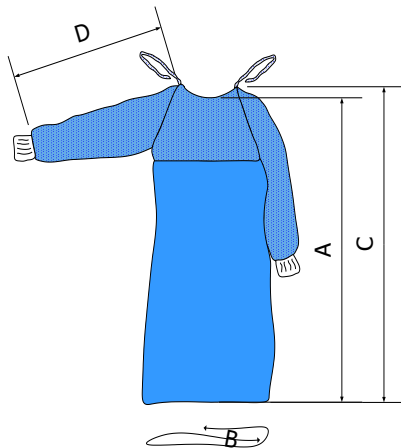
The gowns have elastic cuffs and a velcro neck closure.

Sterile gown is packed in a wrap and peelable bag.

Gowns are latex free and comply with the EN13795 norm.

Size	Material	Reference number	Ordernumber sterile
L-XL	Non-woven, fully laminated with breathing PE	1304179	2544680
XL-XL	Non-woven, fully laminated with breathing PE	<u>1304178</u>	2544690
High performance: to be used for wet procedures			

1.6 TUR-gown



 SMMS  PE/blue

Size: A=144cm, B=146cm, C=154cm, D=91cm.

Front is impervious polyethylene film. Suitable to sit down.

The gowns have elastic cuffs and a velcro neck closure.

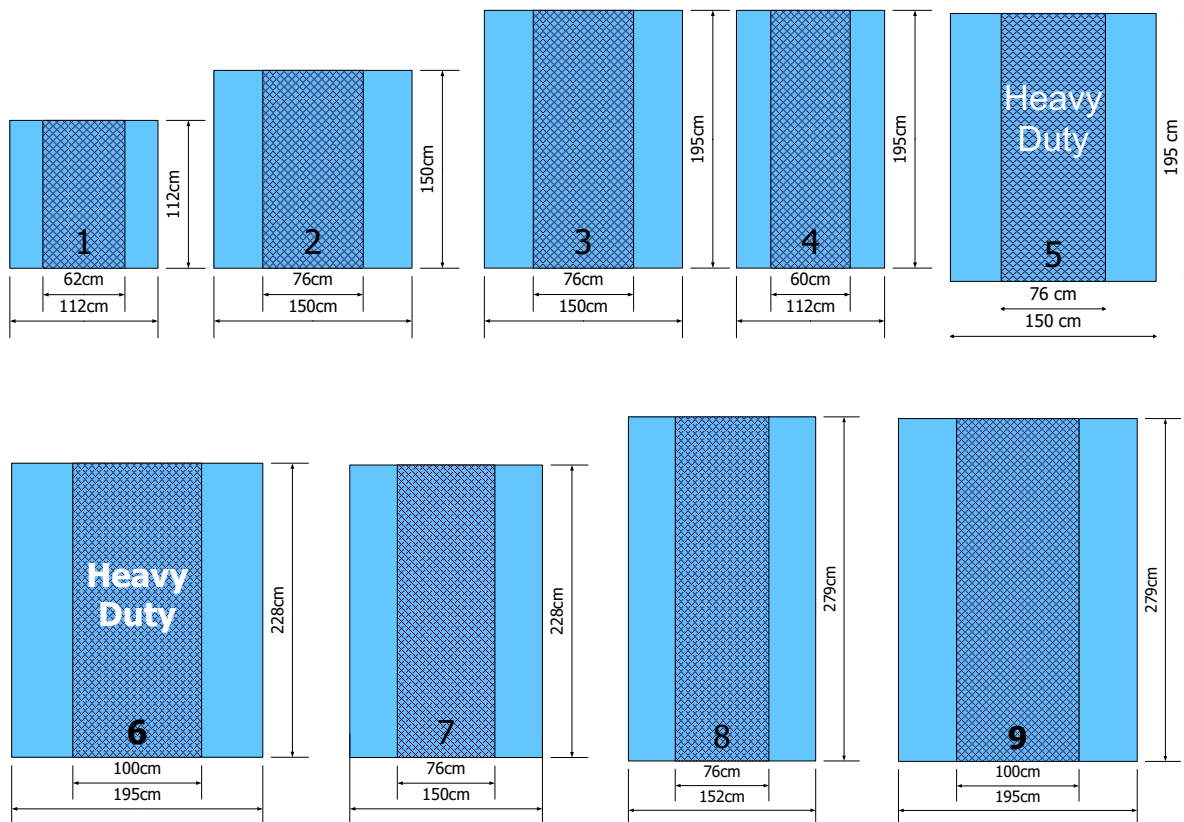
Sterile gown is packed in a wrap and peelable bag.

Gowns are latex free and comply with the EN13795 norm.

Size	Material	Reference number	Ordernumber sterile
XL	SMMS + PE blue	1301741	2542350
Suitable for sitting and very wet procedures			

2 General drapes

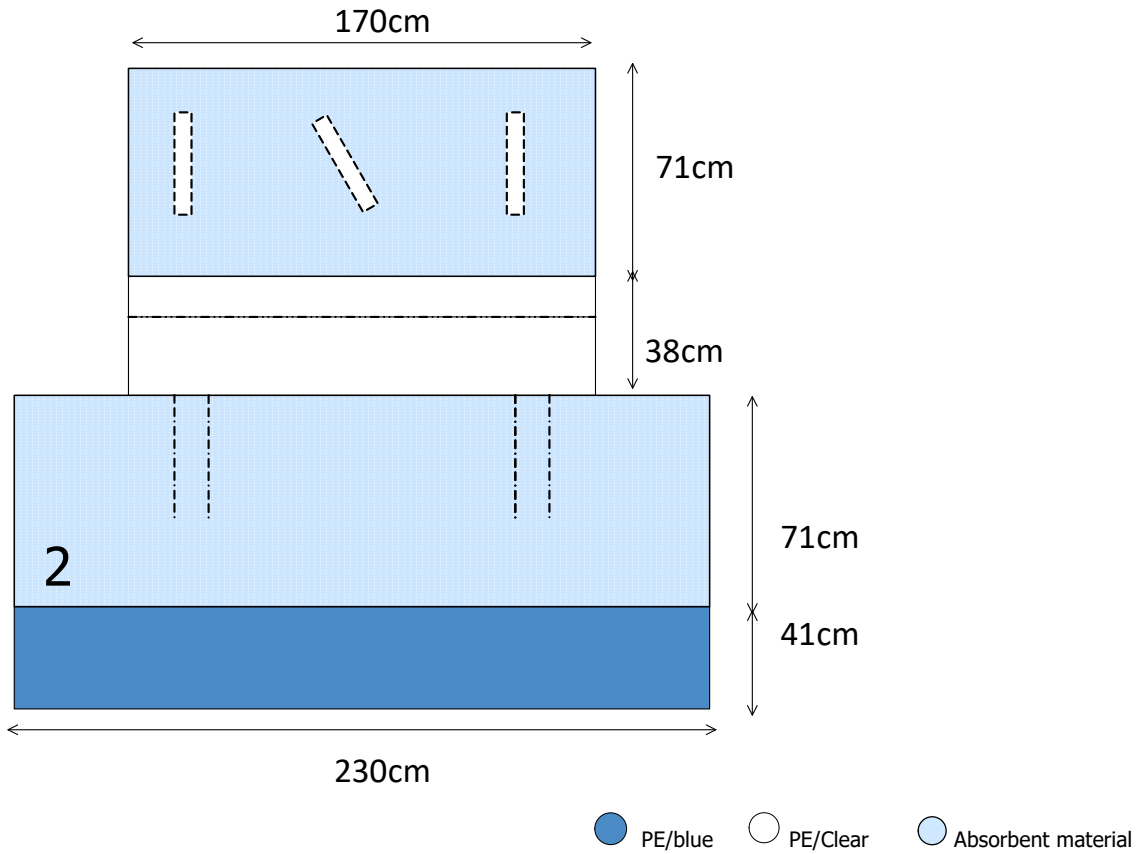
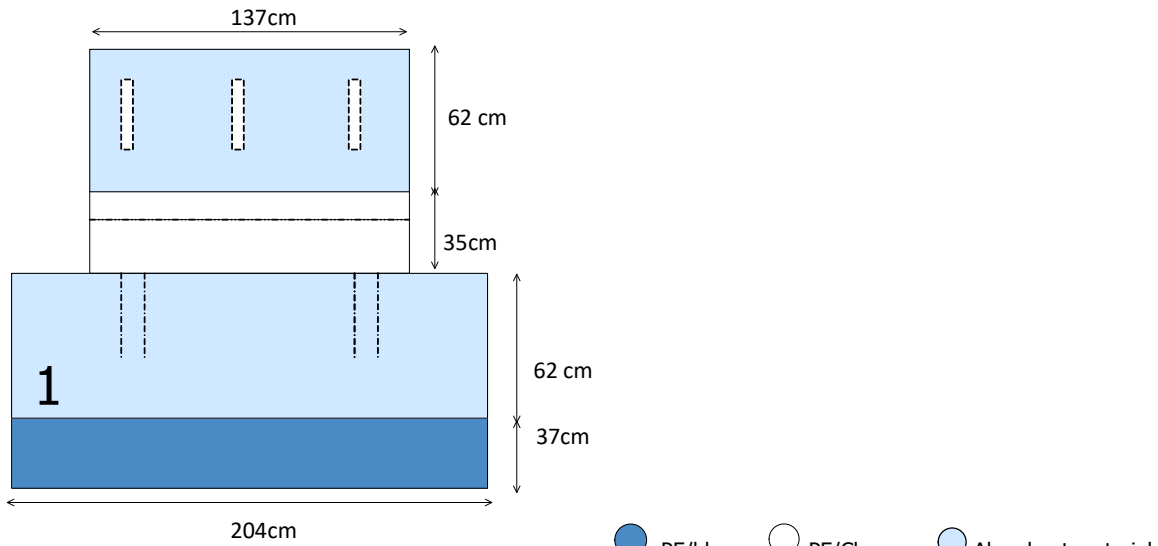
2.1 Table covers



● PE/blue ● PSB absorbent

	Dimensions	Reference number	Ordernumber sterile	Folding method
1	112 x 112cm	1301958 1303204	117078AA (was 104550AA)	Soft folded Fan folded
2	150 x 150cm	<u>1306754</u> 1303205	103621AA	Soft folded Fan folded
3	195 x 150cm	<u>1306755</u> 1302905	103622AA/11052EGA	Soft folded Fan folded
3a	195 X 150cm	<u>1304011</u> <u>1304181</u>	113845AA/11515EG	Soft folded Fan folded
4	195 x 112cm	<u>1306756</u> 1303206	103623AA	Soft folded Fan folded
5	195 x 150cm Heavy Duty	1302783	110250AA	Soft folded
6	228 x 195cm Heavy Duty	1306757 1303208	103624AA	Soft folded Fan folded
7	228 x 150cm	<u>1306758</u> 1303207	103635AA	Soft folded Fan folded
8	279 x 152cm	1306759 1303209	103636AA	Soft folded Fan folded
9	279 x 195cm	1303935	114718AA	Soft folded

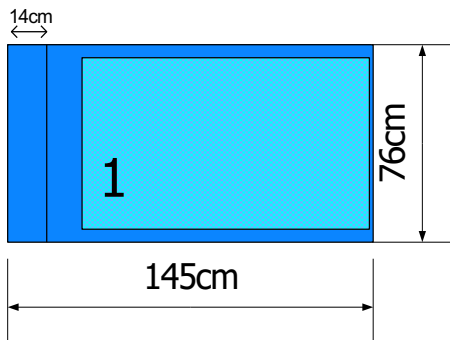
2.2 Double Table covers (MEGA)



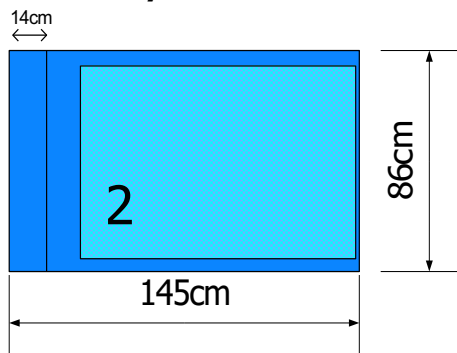
	Size	Material	Reference number	Ordernumber sterile
1	L = 121cm	HC Pad + PE clear	1304565	115766AA
2	XL = 152cm	HC Pad + PE clear	1304803	116055AA

Suitable for draping MEGA instrument tables

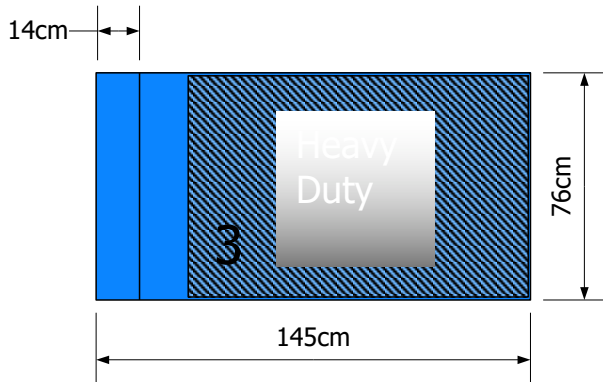
2.3 Mayo covers



● PE/blue ● PSB absorbent
Medium Duty



● PE/blue ● PSB absorbent
Medium Duty

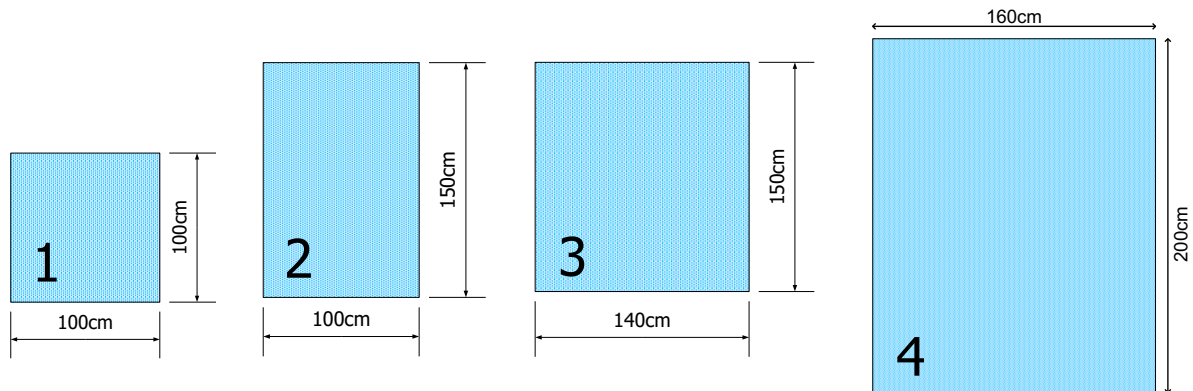


● PE/blue ● PSB absorbent
Heavy Duty

	Dimensions	Reference number	Ordernumber sterile	Application
1	76 x 145cm	<u>1306760</u>	103848AA / 11081EGA	Medium Duty
2	86 x 145cm	1302806	107511AA	Medium Duty
3	76 x 145cm	1301902	117067AA (was 103849AA) 11173EG	Heavy Duty

2.4 General drapes SMS

2.4.1 Drapes without tape

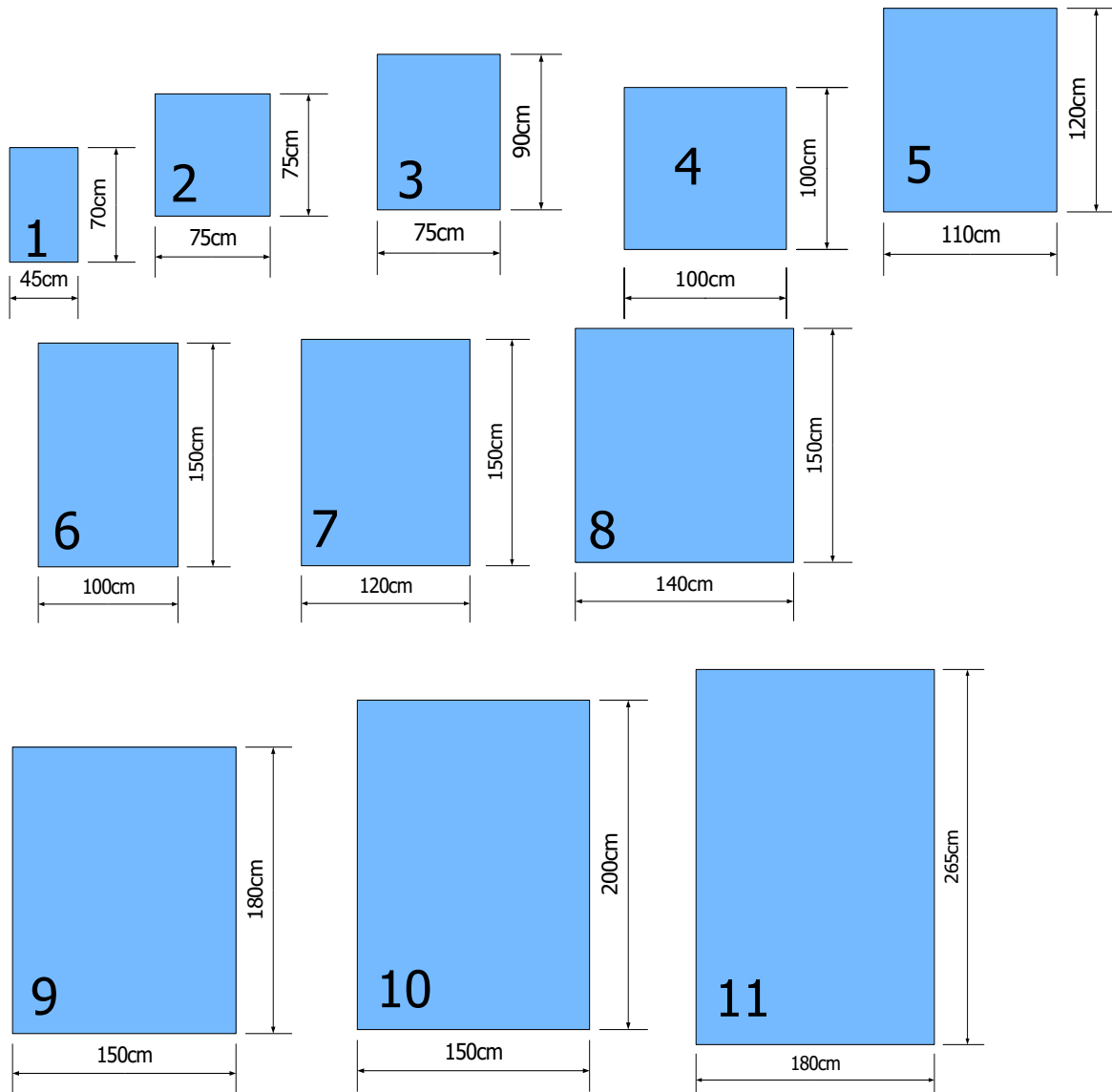


 SMS

	Dimensions	Material	Reference number	Ordernumber sterile
1	100 x 100cm	SMS	1301927	106190AA
2	150 x 100cm	SMS	<u>1302228</u>	106191AA
3	150 x 140cm	SMS	1301921	106201AA
4	160 x 200cm	SMS	1303806	111526AA / 11176EG

2.5 General drapes 2-ply material

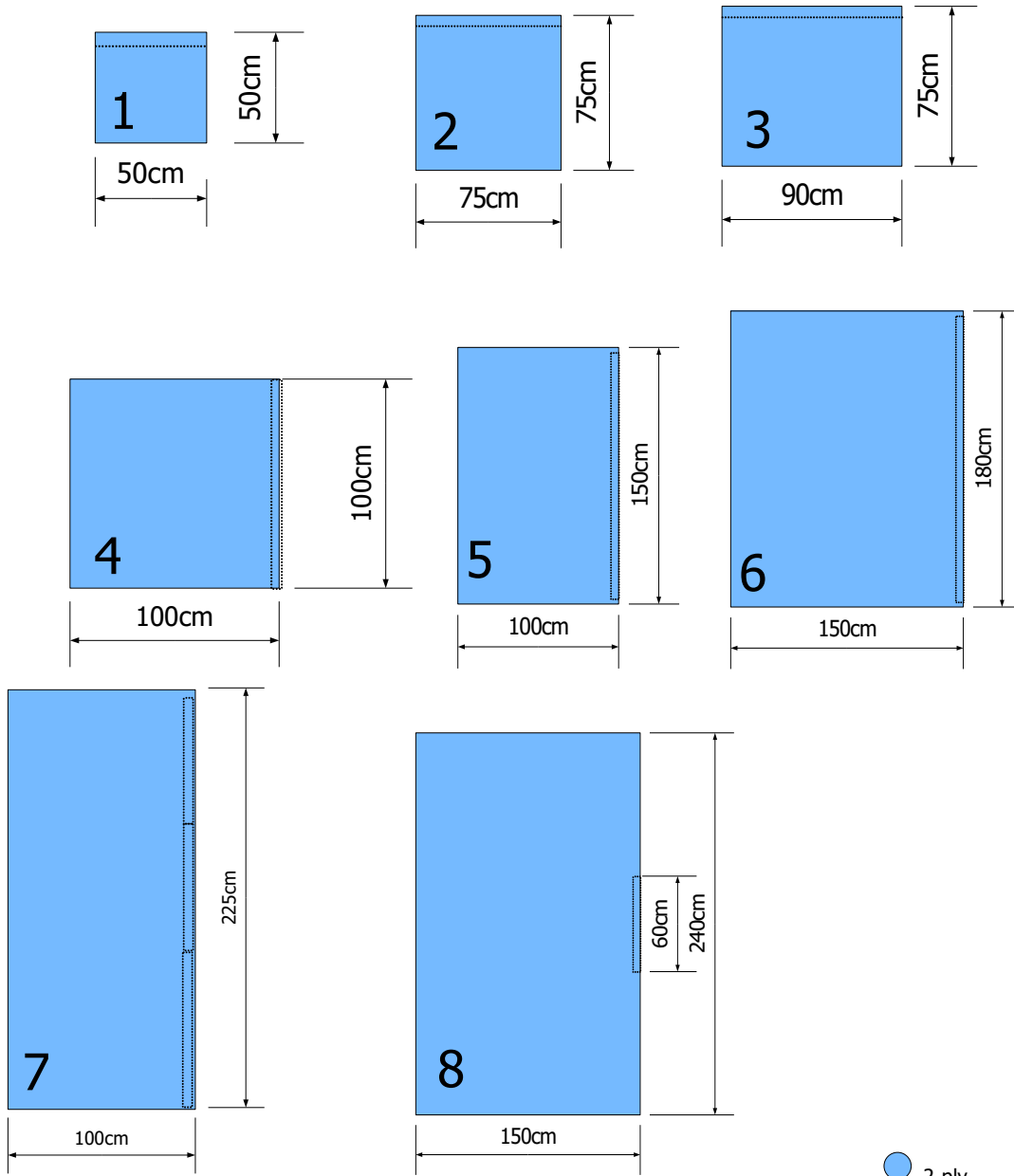
2.5.1 Drapes, 2-ply without tape



2-ply

	Dimensions	Material	Reference number	Ordernumber sterile	Folding
1	70 x 45cm	2-ply	1304099	117035AA (was 103470AA)	
2	75 x 75cm	2-ply HCD	<u>1309495</u> 1303578	100532AA	Fan folded Soft folded
3	90 x 75cm	2-ply HCD	<u>1309572</u> 1303579	77001	4x25 (Dispenser box) Soft folded
4	100 x 100cm	2-ply HCD	1304849	tbd	
5	120 x 110cm	2-ply	1301853	104529AA	
6	150 x 100cm	2-ply	<u>1301336</u>	104530AA	
7	150 x 120cm	2-ply	1301372	105432AA	
8	150 x 140cm	2-ply	1302005	110205AA	
9	180 x 150cm	2-ply	1301574	102040AA	
10	200 x 150cm	2-ply	1304088	104531AA	
11	265 x 180cm	2-ply	1301975	104532AA	

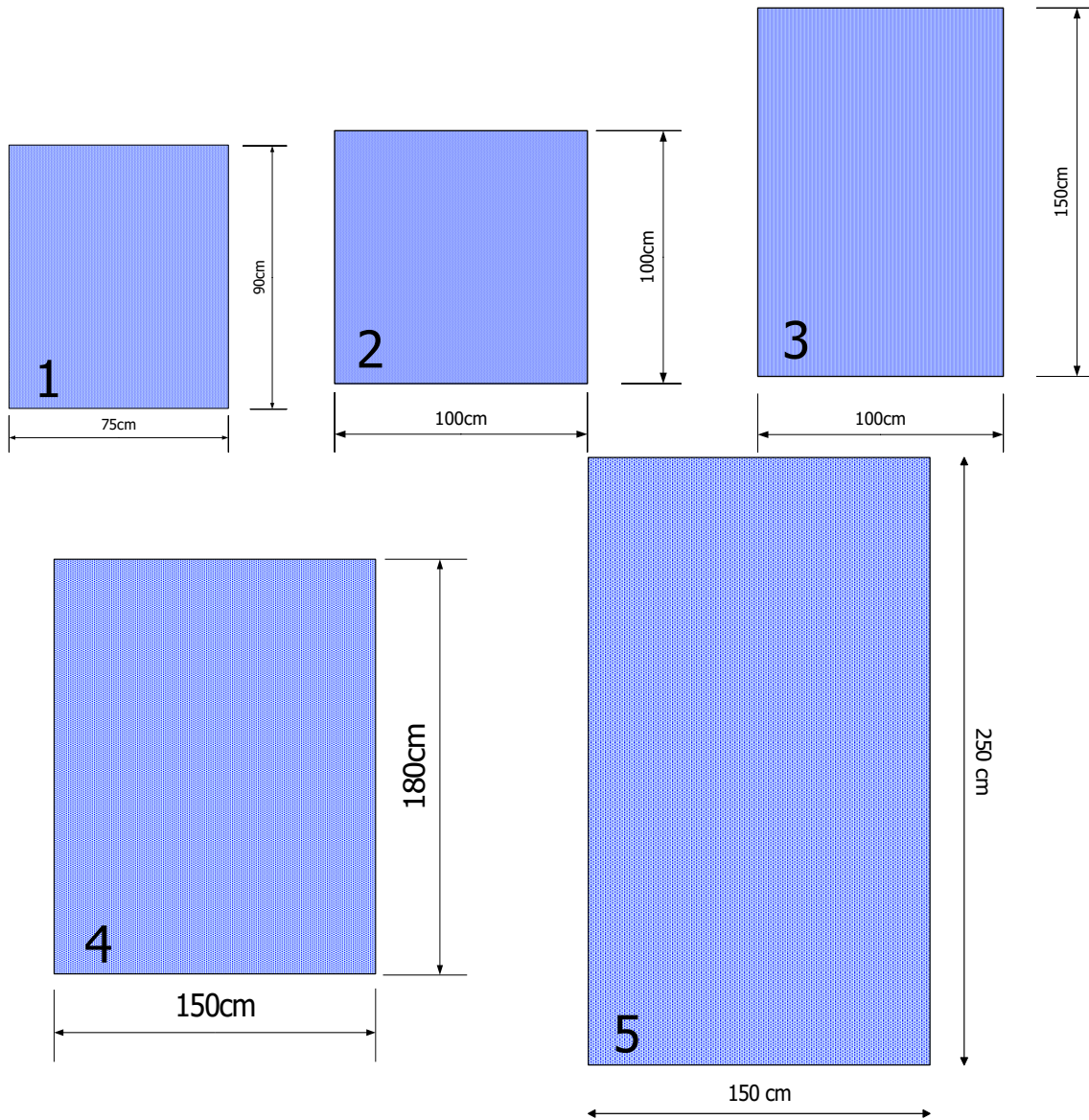
2.5.2 General drapes 2-ply material with tape




	Dimensions	Material	Reference number	Ordernumber sterile	Quantity per case
1	50 x 50cm	2-ply with tape	1304073	110206AA	
2	75 x 75cm	2-ply with tape	<u>1309415</u>	105362AA	
3	75 x 90cm	2-ply with tape HCD	<u>1309428</u>	77000	4x25 (Dispenser box)
4	100 x 100cm	2-ply with tape	1303945	113625AA	
5	150 x 100cm	2-ply with tape	<u>1304103</u>	103682AA	
6	180 x 150cm	2-ply with tape	1301446	117071AA (was 104533AA)	
7	225 x 100cm	2-ply with tape	1304353	114719AA	
8	240 x 150cm	2-ply with tape	1301443	104534AA	

2.6 General drapes 3-ply material

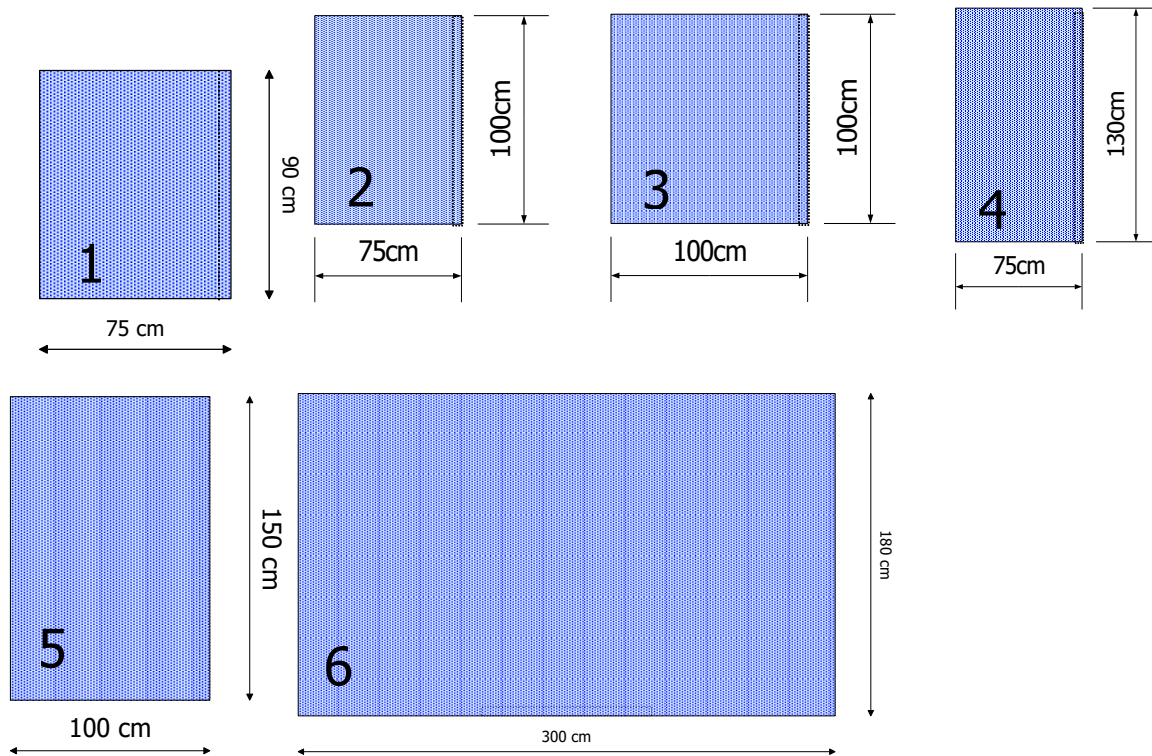
2.6.1 Drape sheet 3-ply without tape




 3-ply

	Dimension	Material	Reference number	Ordernumber sterile
1	75 x 90cm	3-ply HCD	1304852	tbd
2	100 x 100cm	3-ply HCD	1304850	tbd
3	100 x 150cm	3-ply HCD	1304851	tdd
4	180 x 150cm	3-ply	<u>1301990</u>	108406AA
5	250 x 150cm	3-ply	1301367	111460AA

2.6.2 Drapes 3-ply with tape

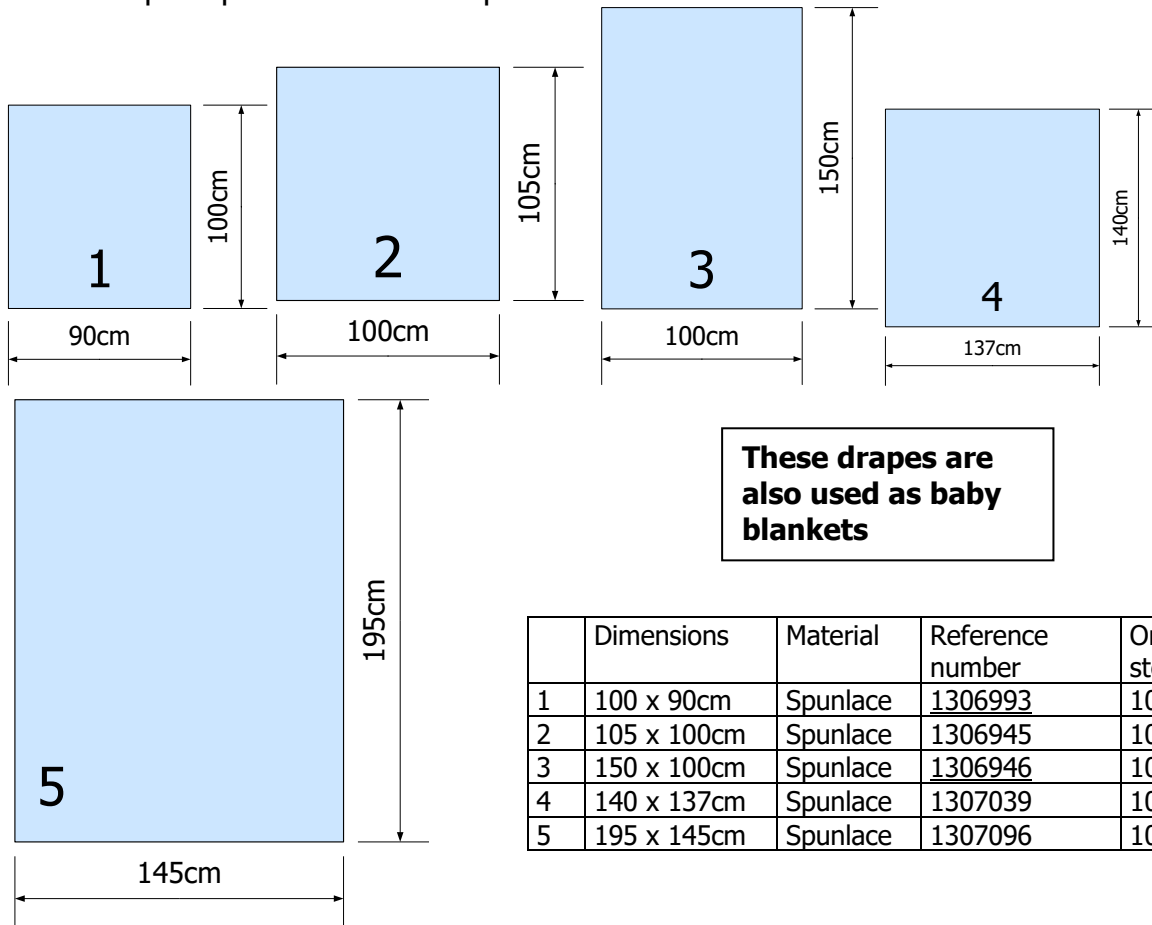


 3-ply

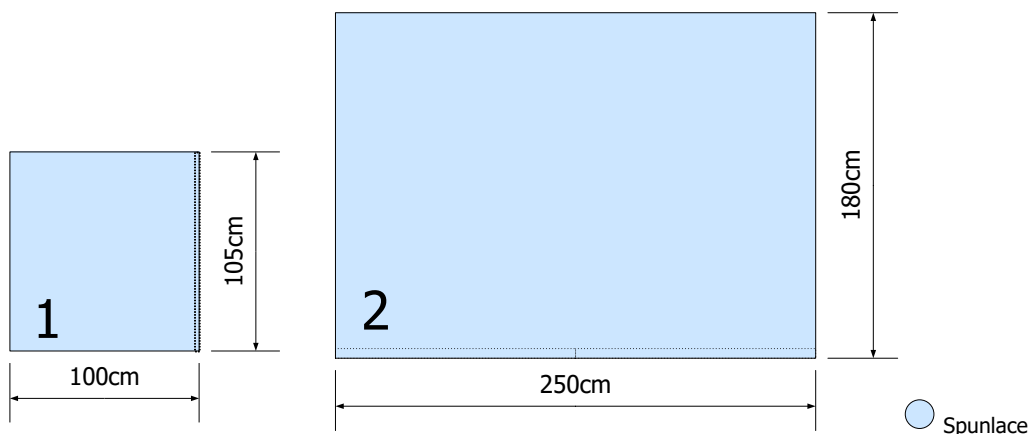
	Dimensions	Material	Reference number	Ordernumber sterile
1	90 x 75cm	3-ply with tape	1304853 HCD (1304087)	tbd
2	100 x 75cm	3-ply with tape	1304079	104753AA
3	100 x 100cm	3-ply with tape	1304579 HCD (1301933)	tbd
4	130 x 75cm	3-ply with tape	1301499	106289AA
5	150 x 100cm	3-ply with tape	1304578 HCD (1301732)	tbd
6	180 x 300cm	3-ply with tape	1301991	112225AA

2.7 General drapes Spunlace

2.7.1 Drapes Spunlace without tape



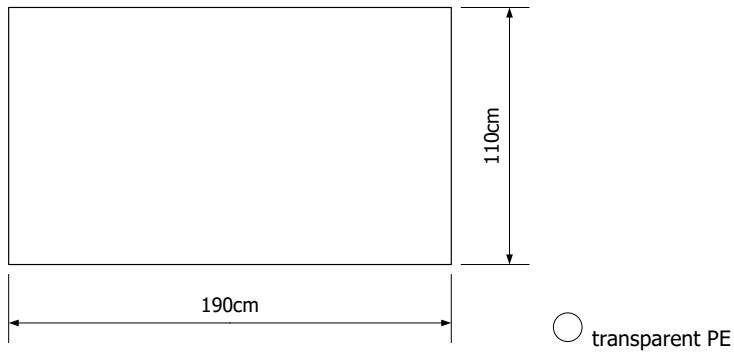
2.7.2 Drapes Spunlace with tape



	Dimensions	Material	Reference number	Ordernumber sterile
1	105 x 100cm	Spunlace	1307093	103844AA (tape 2,5cm)
2	180 x 250cm	Spunlace	1301555	103468AA (tape 2,5cm)

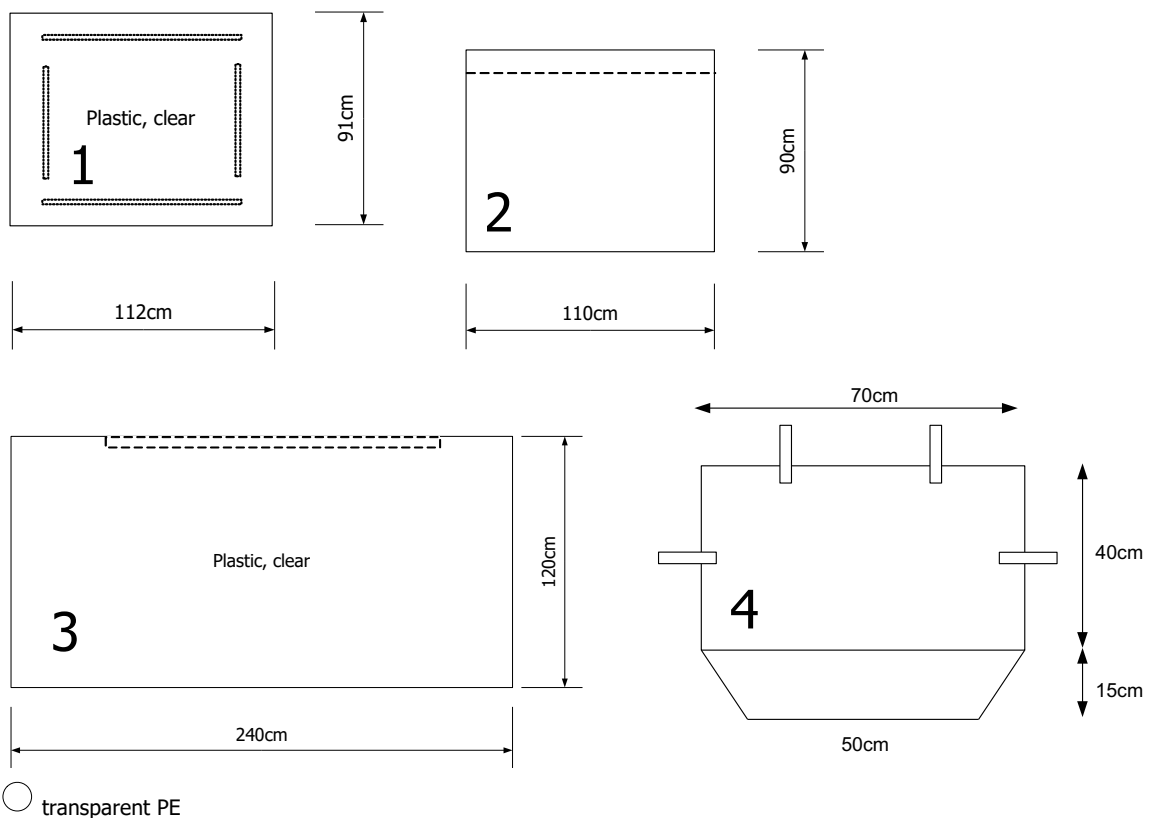
2.8 General drapes PE transparent

2.8.1 Drape PE transparent without tape



Dimensions	Material	Reference number	Ordernumber sterile
110 x 190cm	Transparent PE	<u>1307188</u>	110234AA

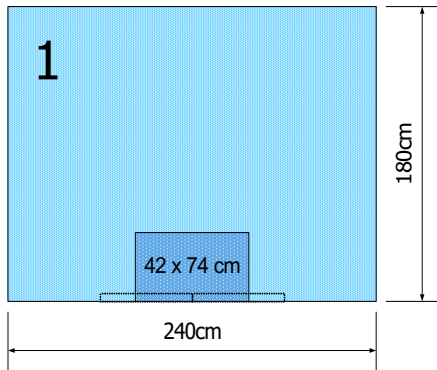
2.7.2 Drape PE transparent with tape



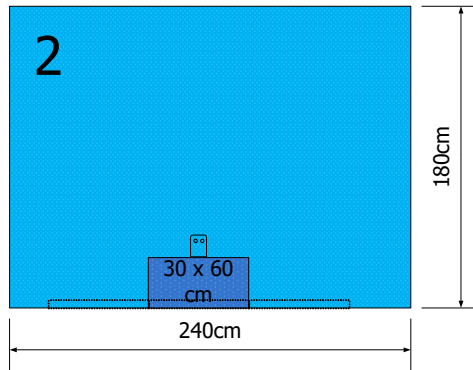
	Dimensions	Material	Reference number	Ordernumber sterile
1	112 x 90cm	Transparent PE, 4x tape	1302620	112316AA
2	90 x 110cm	Transparent PE	1302460	110252AA
3	120 x 240cm	Transparent PE	1303778	111433AA
4	55 x 70cm	Transparent PE	1304391	tbd

3 General surgery

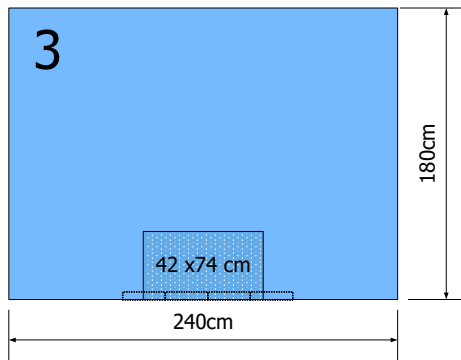
3.1 Top drapes



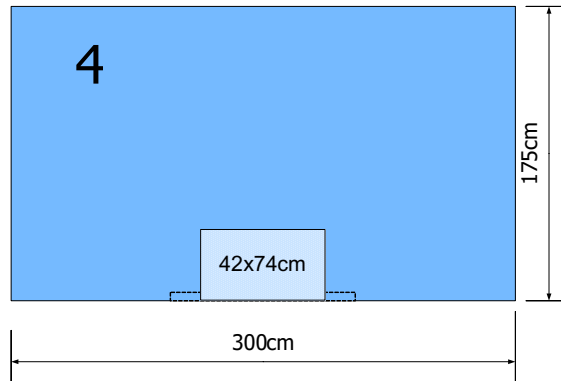
● SMS ● PSB3030



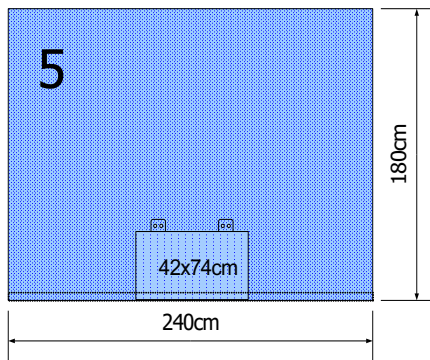
● 2-ply ● absorbent material



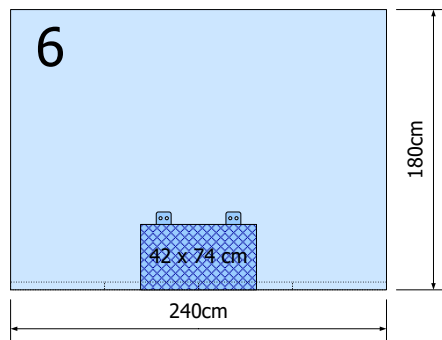
● 2-ply ● PSB3030



● 2-ply ● SM Pad



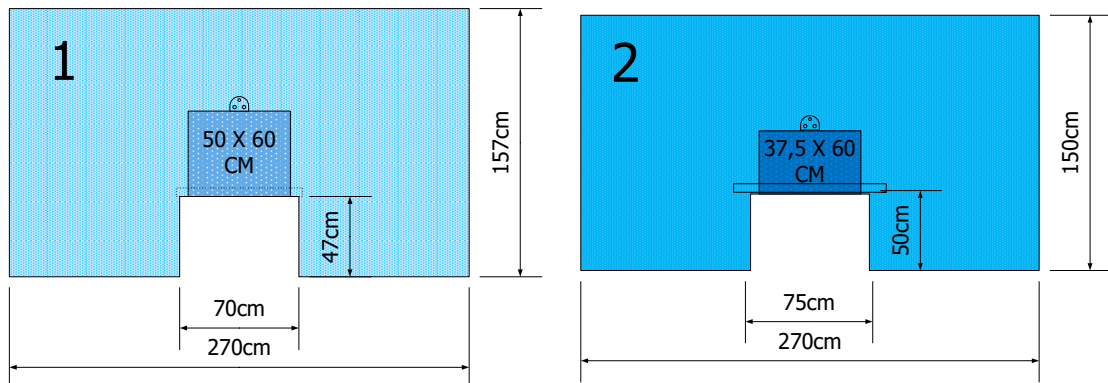
● 3-ply ● SM Pad



● Spunlace ● absorbent material

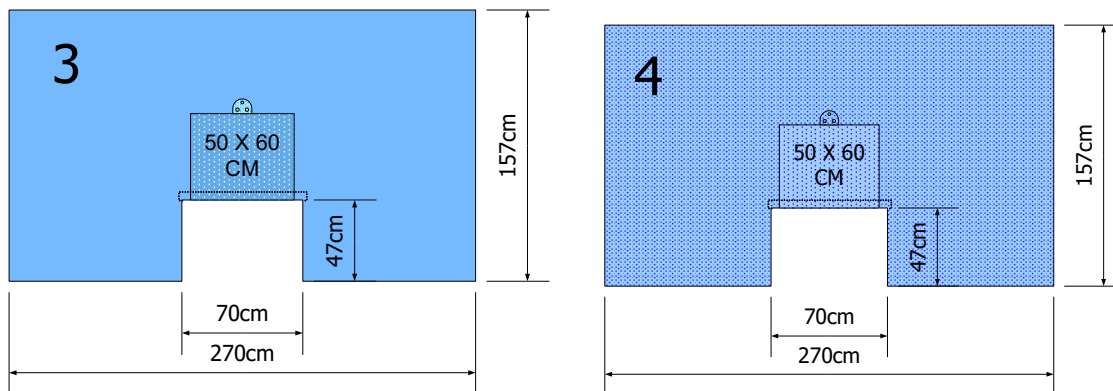
	Material	Dimensions	Absorbent pad	Reference number	Ordernumber sterile
1	SMS	180 x 240cm	42 x 74cm	<u>1301880</u>	105113AA
2	2-ply HCD	180 x 240cm	30 x 60cm	<u>1304050</u>	114316AA
3	2-ply	180 x 240cm	42 x 74cm	1302829	107949AA
4	2-ply	175 x 300cm	42 x 74cm	1304268	115367AA
5	3-ply	180 x 240cm	42 x 74cm	1302168	105260AA
6	Spunlace	180 x 240cm	42 x 74cm	1307069	103638AA

3.2 Top drapes U-Bar



● SMS ● PSB3030

● 2-ply ● Absorbent material

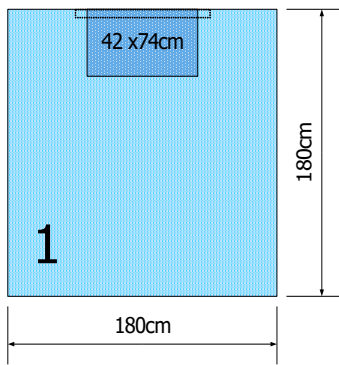


● 2-ply ● PSB3030

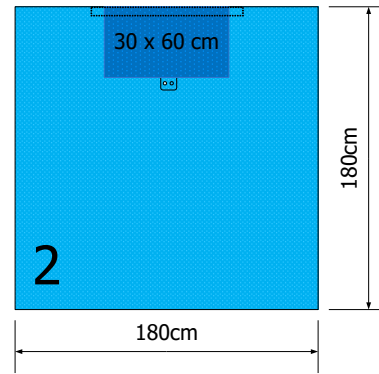
● 3-ply ● SM Pad

	Material	Dimensions	Absorbent pad	Reference number	Ordernumber sterile
1	SMS	157 x 270cm	50 x 60cm	1307138	106176AA
2	2-ply HCD	150 x 270cm	37,5 x 60cm	1304199	114727AA
3	2-ply	157 x 270cm	50 x 60cm	1303875	112226AA
4	3-ply	157 x 270cm	50 x 60cm	1307176	106275AA
Including tube holder					

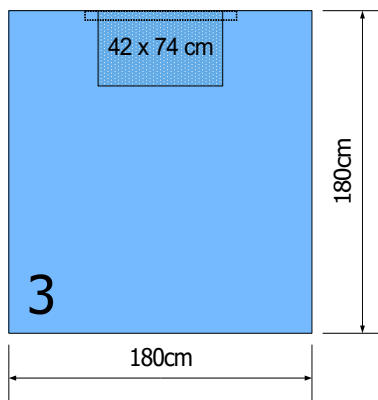
3.3 Bottom drapes



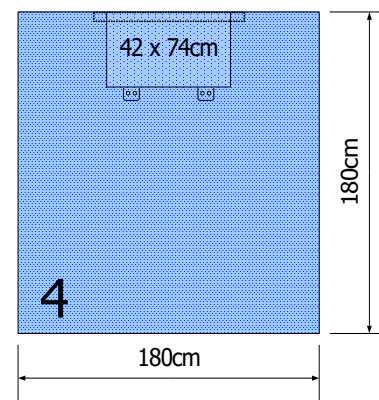
● SMS ● PSB3030



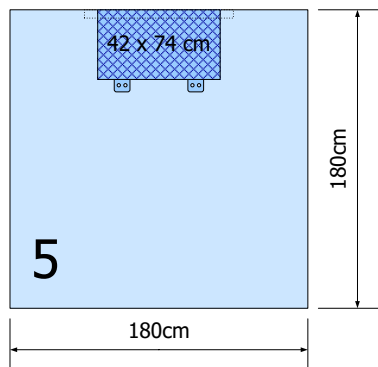
● 2-ply ● absorbent material



● 2-ply ● PSB3030



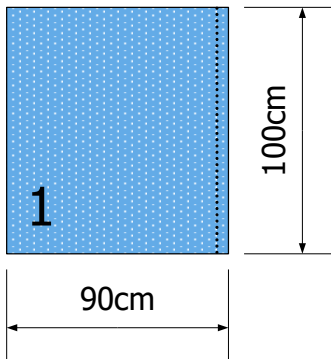
● 3-ply ● SM Pad



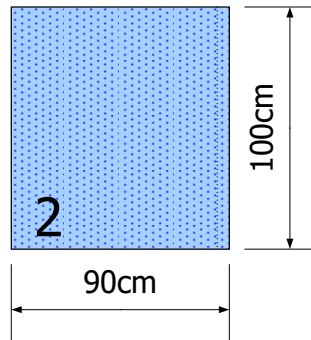
● Spunlace ● Absorbent material

	Material	Dimensions	Absorbent pad	Reference number	Ordernumber sterile
1	SMS	180 x 180cm	42 x 74cm	<u>1301881</u>	105683AA
2	2-ply HCD	180 x 180cm	30 x 60cm	<u>1304051</u>	114201AA
3	2-ply	180 x 180cm	42 x 74cm	1302830	110236AA
4	3-ply	180 x 180cm	42 x 74cm	1302169	105003AA
5	Spunlace	180 x 180cm	42 x 74cm	1307073	103639AA

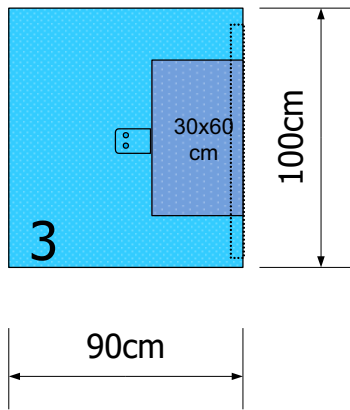
3.4 Side drapes



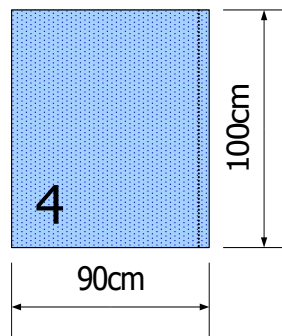
● PSB3030



● SM Pad



● 2-ply ● Absorbent material

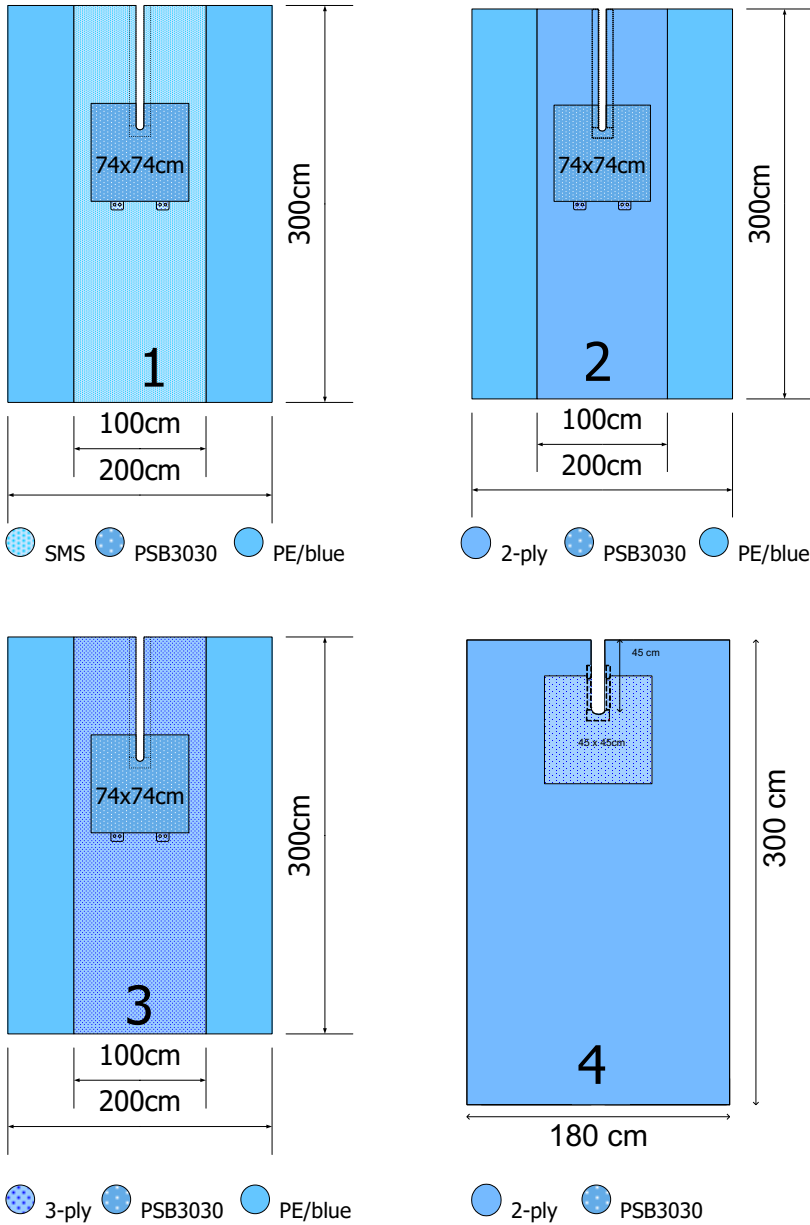


● 3-ply

	Material	Dimensions	Reference number	Ordernumber sterile
1	PSB3030	100 x 90cm	1301882	106180AA
2	SM Pad	100 x 90cm	1307074	103640AA
3	2-ply HCD	100 x 90cm with abs.	1304053	114317AA
4	3-ply	100 x 90cm	1302170	105005AA

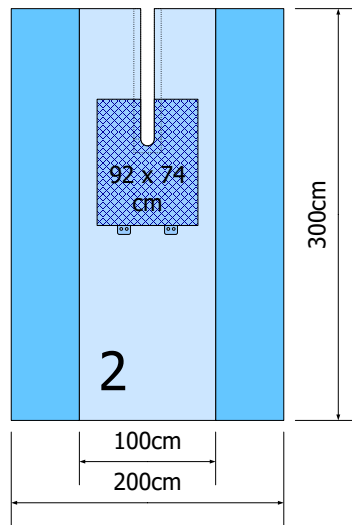
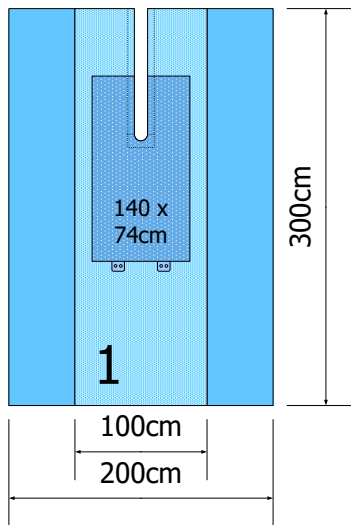
3.5 Split drapes

3.5.1 Split drape 300 x 200cm, split 6cm



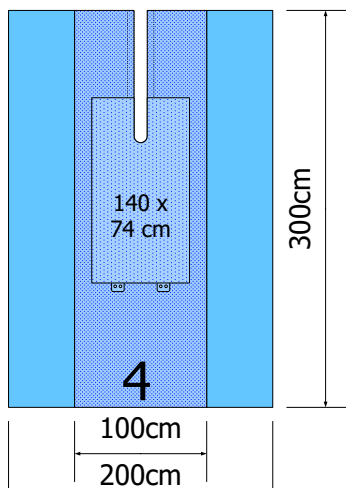
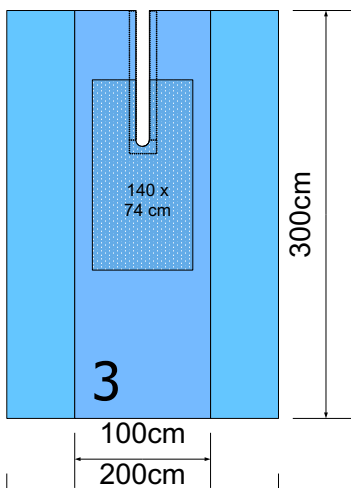
	Material	Dimensions	Dimension split	Reference number	Ordernumber sterile
1	SMS	300 x 200cm	6 x 100cm	<u>1302556</u>	106183AA
2	2-ply	300 x 200cm	6 x 100cm	1303676	111063AA
3	3-ply	300 x 200cm	6 x 100cm	1302311	105006AA
4	2-ply	300 x 180cm	6 x 60cm	1303873*	112227AA
Tape 5cm, *1303873 tape 2,5cm					

3.5.2 Split drape 300 x 200cm, split 10cm



● SMS ● PSB3030 ● PE/blue

○ Spunlace ● Absorbent mat. ● PE/blue

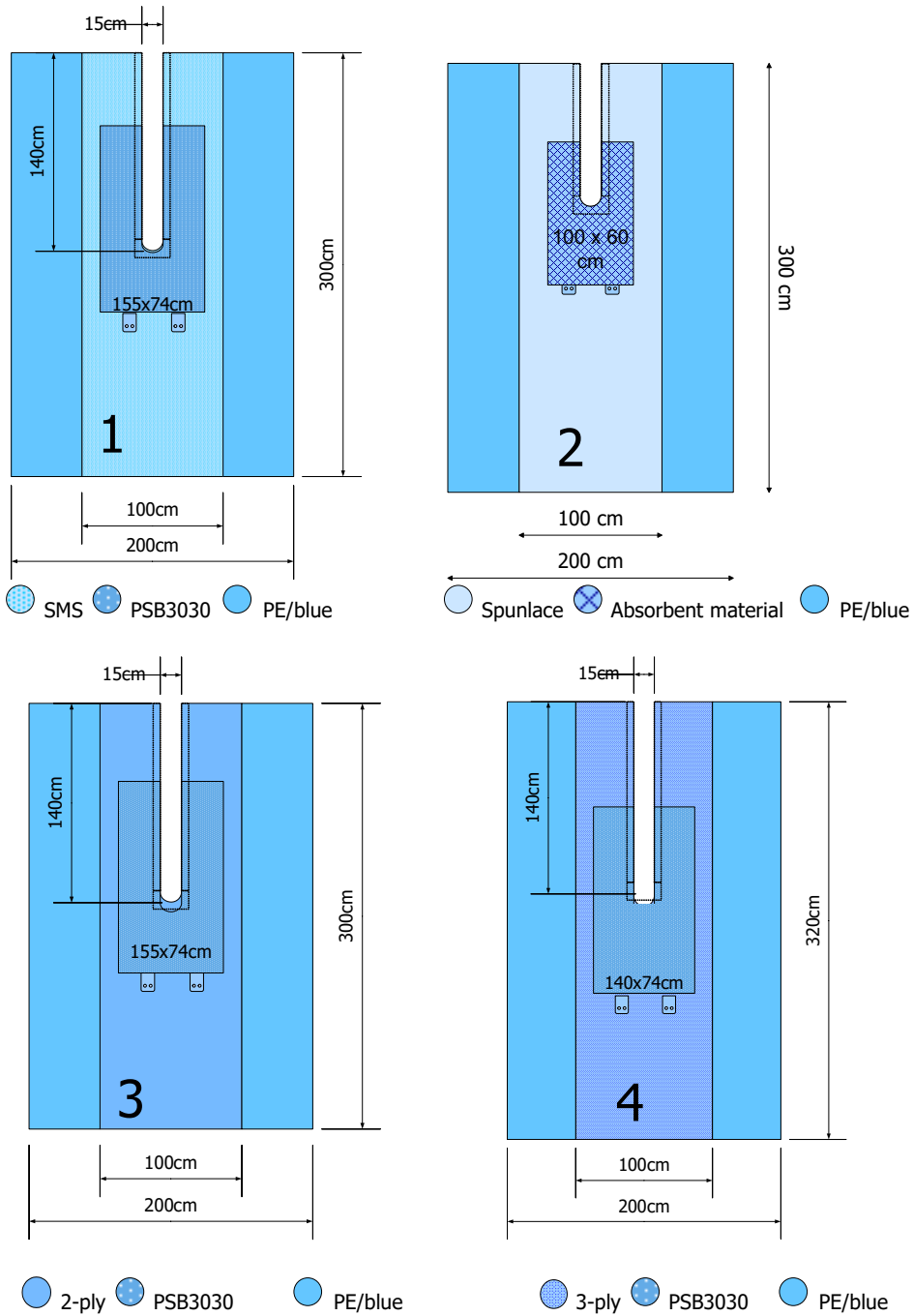


● 2-ply ● PSB3030 ● PE/blue

● 3-ply ● SM Pad ● PE/blue

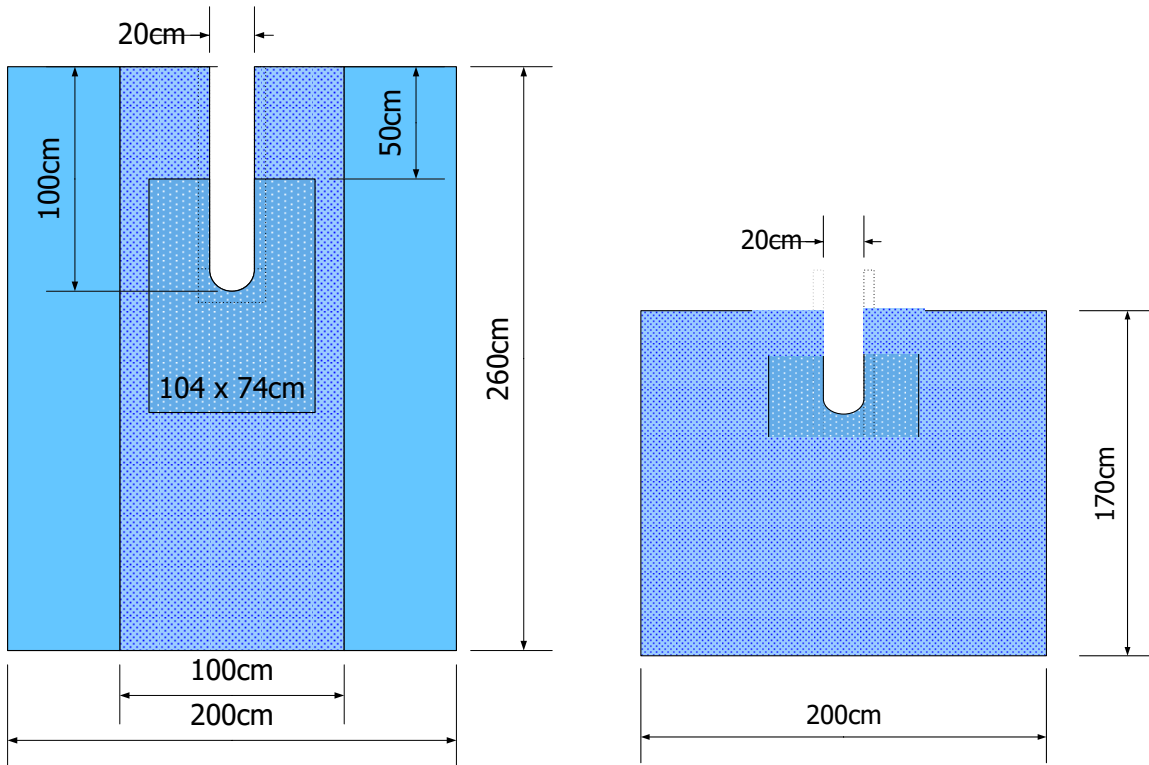
	Material	Dimensions	Dimensions split	Reference number	Ordernumber sterile
1	SMS	300 x 200cm	10 x 100cm	1301920	106185AA / 11038EG
2	Spunlace	300 x 200cm	10 x 100cm	1307079	103642AA
3	2-ply	300 x 200cm	10 x 100cm	<u>1302999</u>	109532AA
3a	2-ply HCD	300 x 200cm	10 x 75cm	1304326	114720AA
4	3-ply	300 x 200cm	10 x 100cm	<u>1307253</u>	105337AA
2 tube holders (not on 1302999)					

3.5.3 Split drape 300 x 200cm, split 15cm



	Material	Dimensions	Dimensions split	Reference number	Ordernumber sterile
1	SMS	300 x 200cm	140 x 15cm	1307267	104030AA
2	Spunlace	300 x 200cm	100 x 15cm	1307075	103643AA
3	2-ply	300 x 200cm	140 x 15cm	1303677	112228AA
4	3-ply	320 x 200cm	140 x 15cm	1302945	107697AA
Tape 5cm					
2 tube holders					

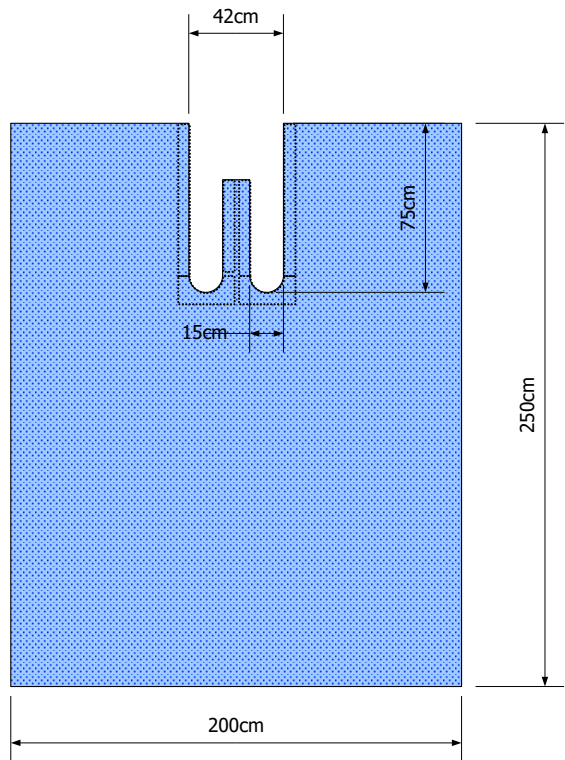
3.5.4 Split drape 260 x 200cm, split 20cm



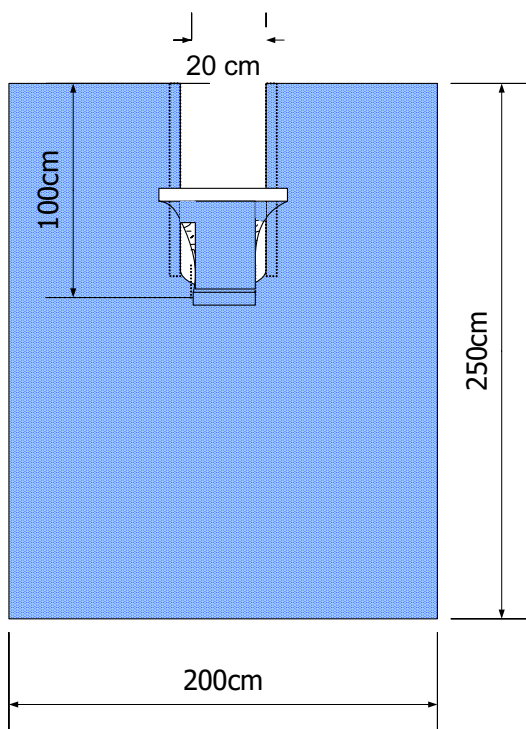
3-ply
 PSB3030
 PE/blue

Material	Dimensions	Dimensions split	Reference number	Ordernumber sterile
3-ply	260 x 200cm	20 x 100cm	1307211	105456AA
SMS	170 x 200cm	20 x 50cm	1304672	115791AA
Tape 4cm				
No tube holders				

3.5.5 Split drape bilateral



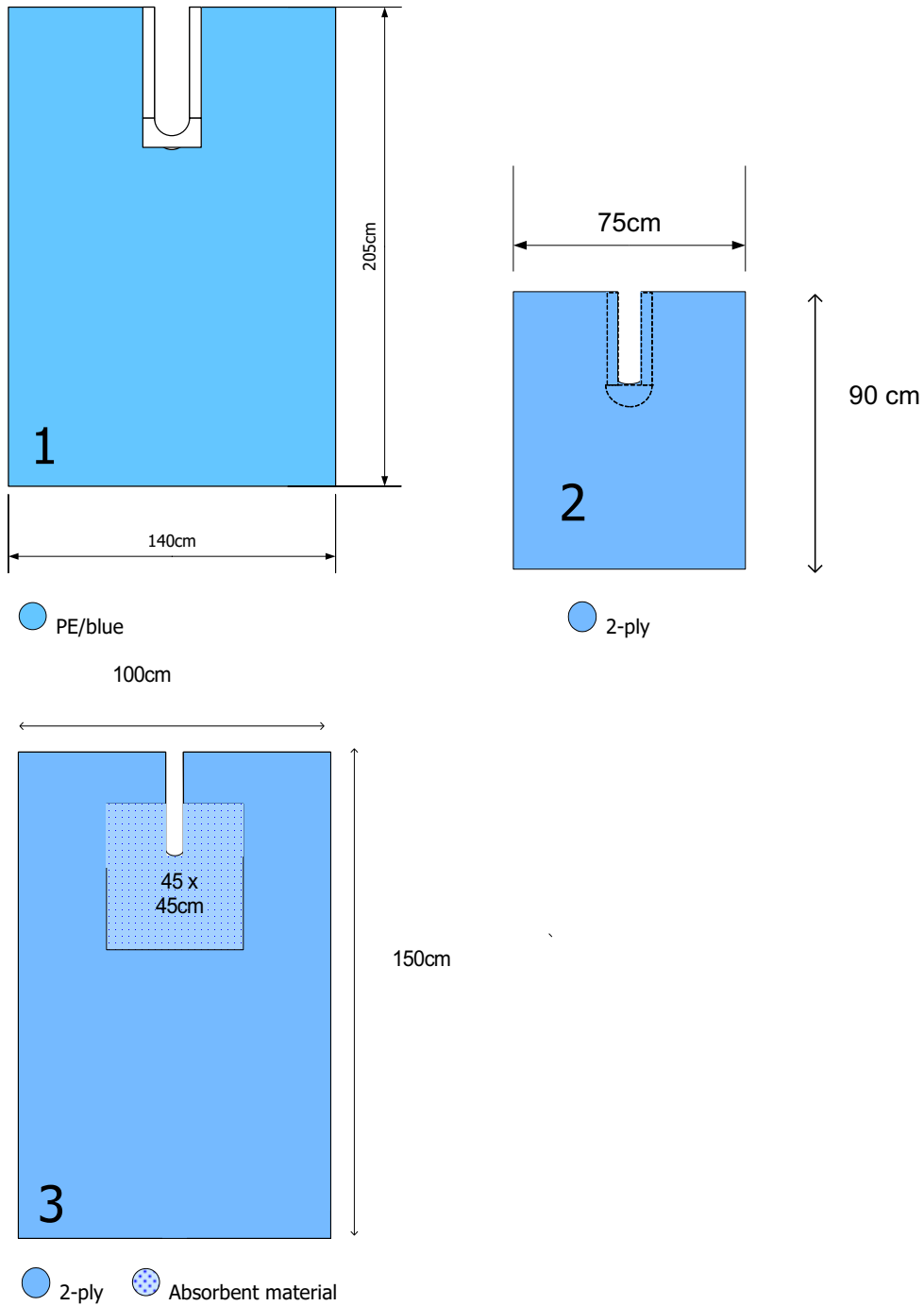
● 3-ply



● 3-ply

Material	Dimensions	Reference number	Ordernumber sterile
3-ply material	250 x 200cm (ORTHO)	1302291	104733AA
3-ply material	250 x 200cm (CARDIO)	1304778	tbd

3.5.6 Split drape other

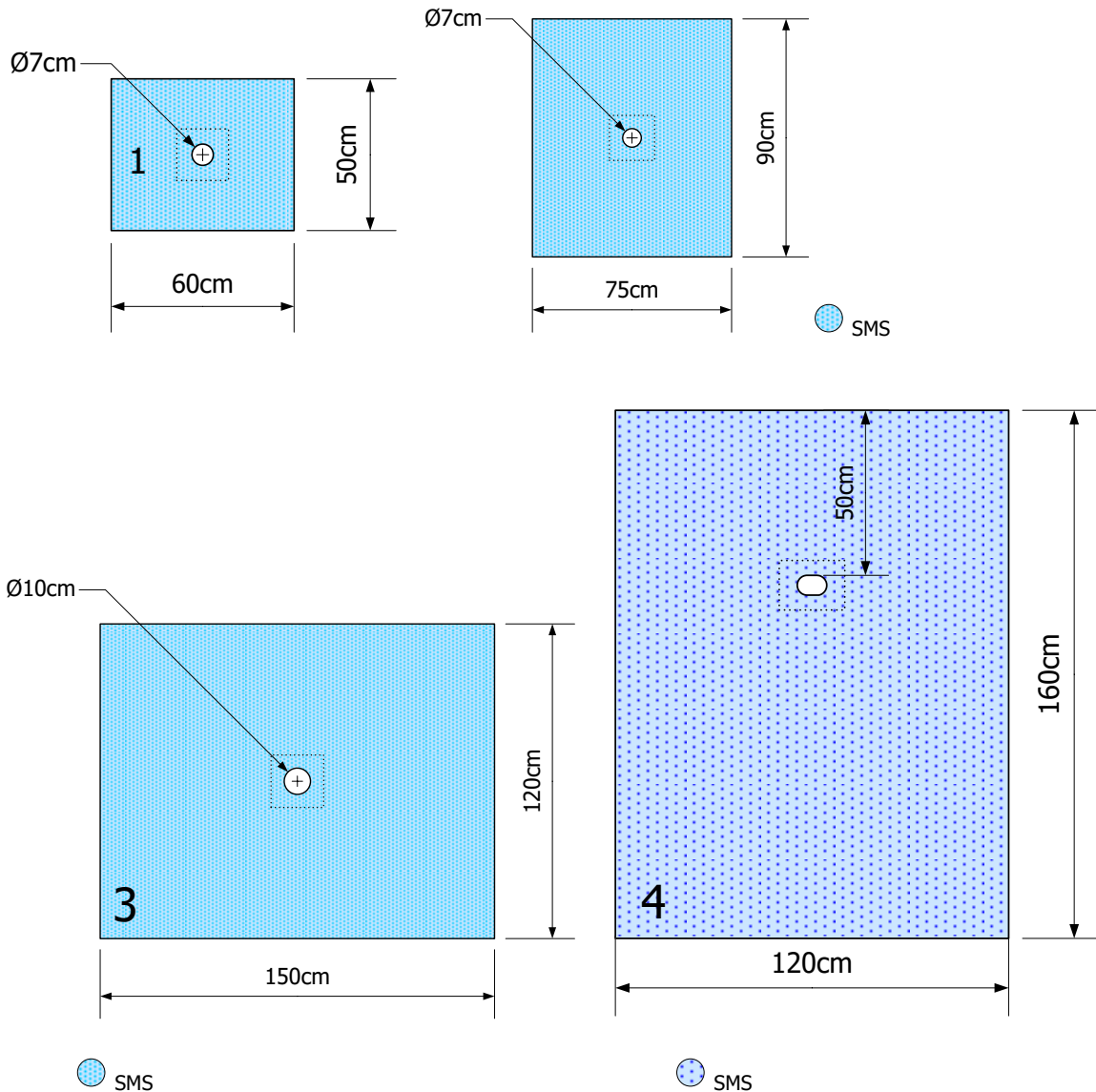


	Material	Dimensions	Dimensions split	Reference number	Ordernumber sterile
1	PE/blue	205 x 140cm	15 x 75cm	<u>1306954</u>	103466AA
2	2-ply	90 x 75cm	10 x 12cm	1303884	112229AA
3	2-ply	150 x 100cm small tape	6 x 30cm	<u>1303224</u>	111666AA

3.6 General drapes with fenestration

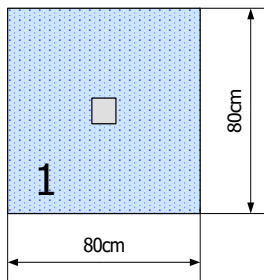
3.6.1 Small drapes

3.6.1.1 Drape fenestration SMS round fenestration

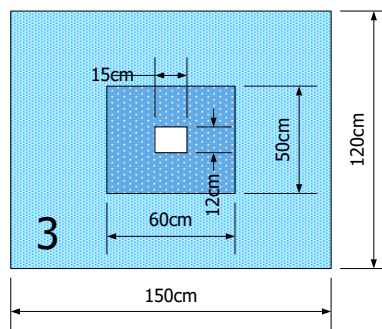
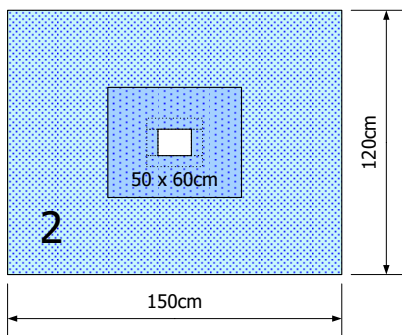


	Material	Dimensions	Fenestration	Reference number	Ordernumber sterile
1	SMS	50 x 60cm	$\varnothing 7\text{cm}$	1302231	106222AA
2	SMS	75 x 90cm	$\varnothing 7\text{cm}$	1302232	106263AA
3	SMS	120 x 150cm	$\varnothing 10\text{cm}$	1302233	106264AA
4	SMS	160 x 120cm	Oval 6x9cm	1301993	109718AA

3.6.1.2 Drape fenestration SMS, square fenestration



● SMS ● Incision film

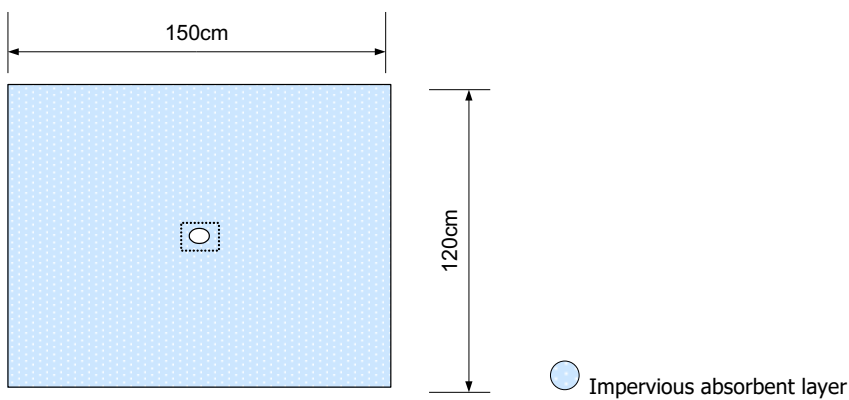


● Prestico® ● SM Pad

● SMS ● PSB3030

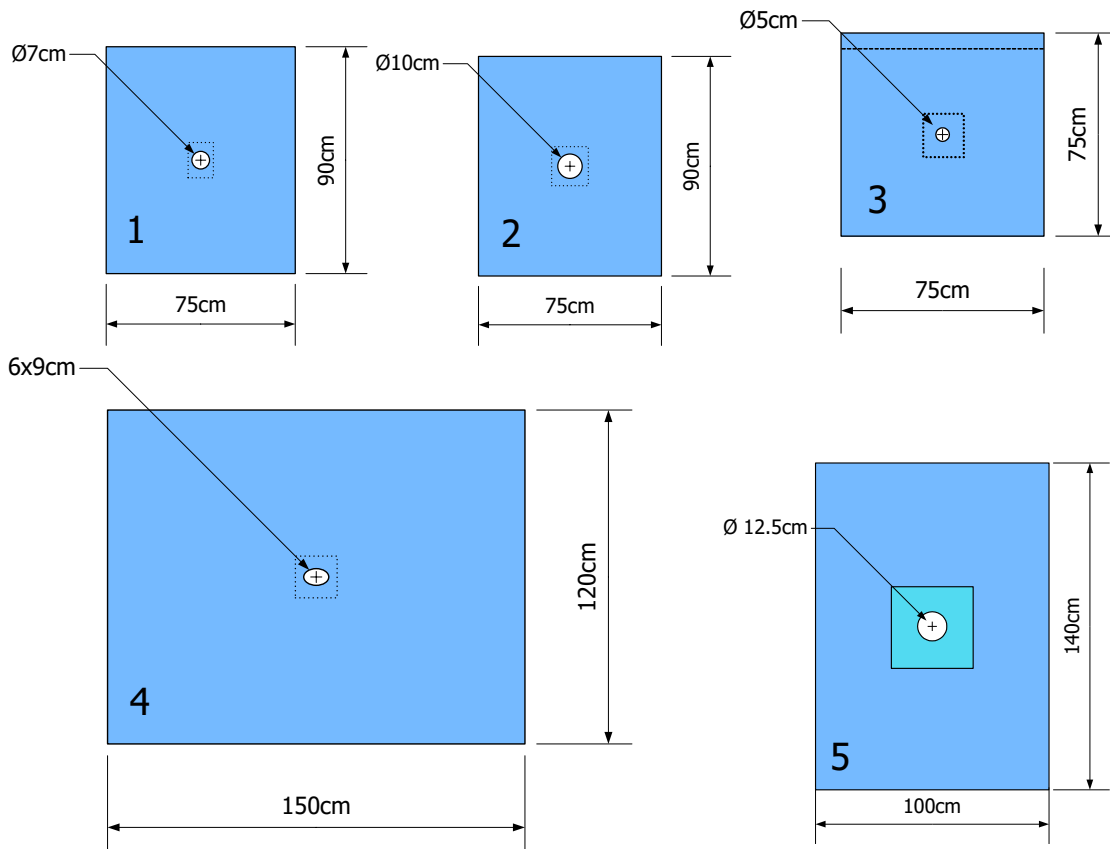
	Material	Dimensions	Fenestration	Reference number	Ordernumber sterile
1	SMS material	80 x 80cm	10 x 10cm with incision film	<u>1302124</u>	110239AA
2	Prestico®	120 x 150cm	12 x 15cm, without film, tape 4cm	<u>1302485</u>	106223AA
3	SMS material	120 x 150cm	12 x 15cm, without film, no tape	<u>1303414</u>	109352AA

3.6.1.3 Drape fenestration, full absorbent material



Material	Dimensions	Fenestration	Reference number	Ordernumber sterile
ABS material, HC Pad	120 x 150cm	6 x 8cm	1303811	112312AA

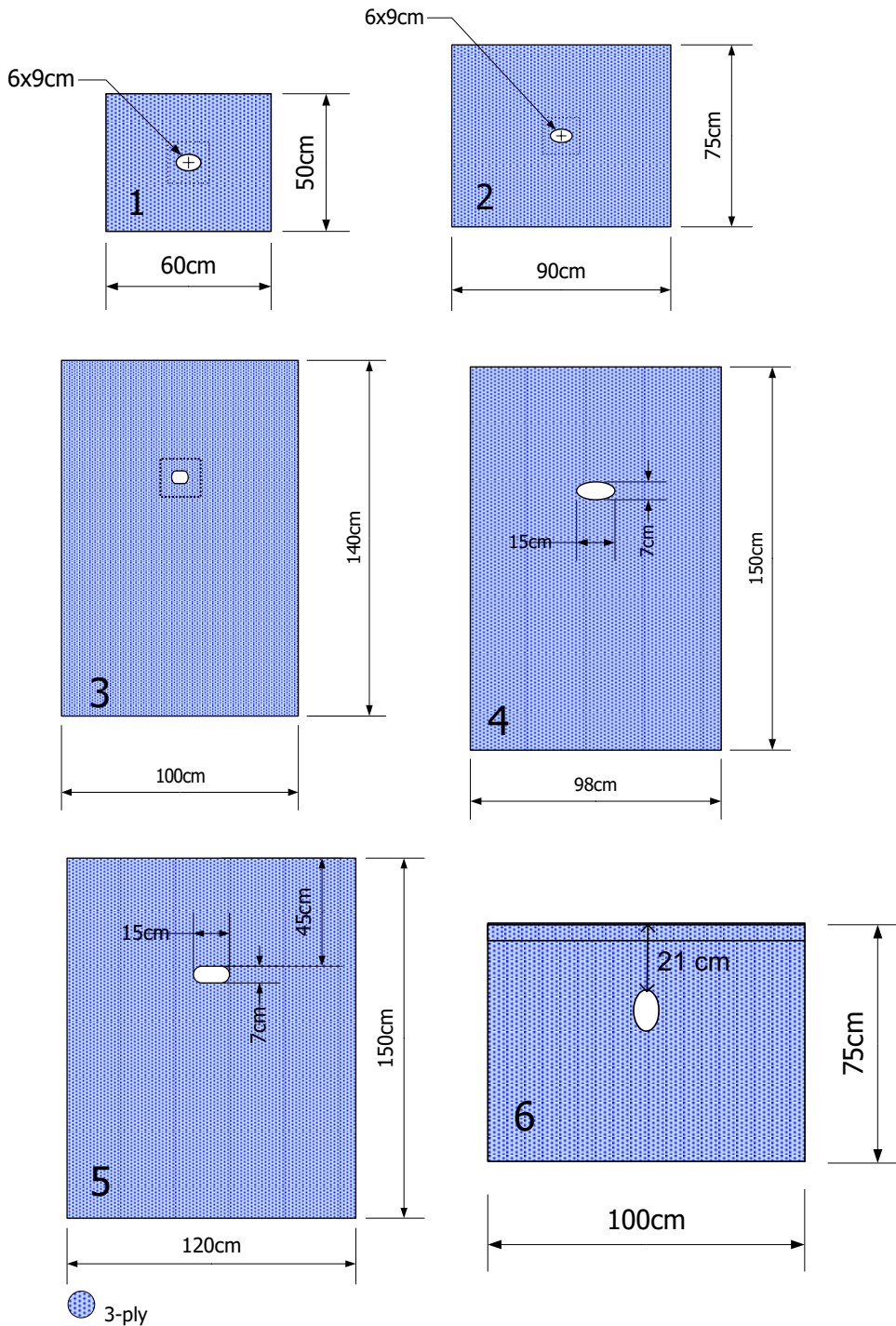
3.6.1.4 Drapes fenestration 2-ply



2ply material

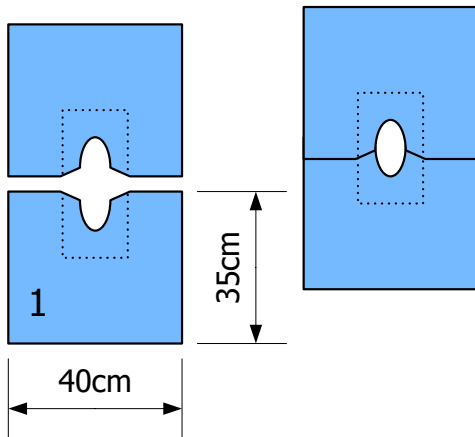
	Material	Dimensions	Fenestration	Reference number	Ordernumber sterile	Quantity per case
1	2-ply	90 x 75cm	Ø 7cm	<u>1301114</u>	77003	4x25, dispenser box
2	2-ply	90 x 75cm	Ø 10cm	<u>1309403</u>	77002	4x25, dispenser box
3	2-ply	75 x 75cm	Ø 5cm + tape	1303372	tbd	
4	2-ply	120 x 150cm	6 x 9cm	1301539	117037AA (was 103474AA)	
5	2-ply	140 x 100	Ø 12.5cm + ABS	1304683	tbd	

3.6.1.5 Drapes fenestration 3-ply

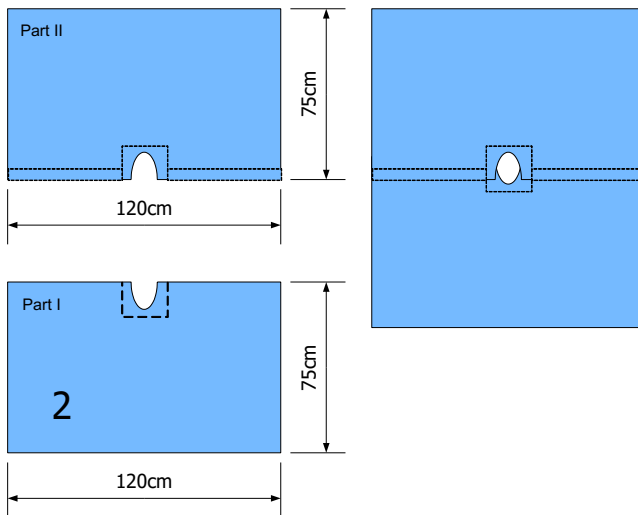


	Material	Dimensions	Fenestration	Reference number	Ordernumber sterile
1	3-ply material	50 x 60cm	6 x 9cm	1301441	103472AA
2	3-ply material	75 x 90cm	6 x 9cm	1304055	103473AA
3	3-ply material	140 x 100cm	Oval 5 x 7cm	<u>1307241</u>	110429AA
4	3-ply material	150 x 98cm	Oval 7 x 15cm	1301342	103495AA
5	3-ply material	150 x 120cm	Oval 7 x 15cm	1302551	110238AA
6	3-ply material	75 x 100cm	Oval 13 x 8cm	1303957	tbd

3.6.1.6 Drapes fenestration variable (Omega)



● 2-ply material

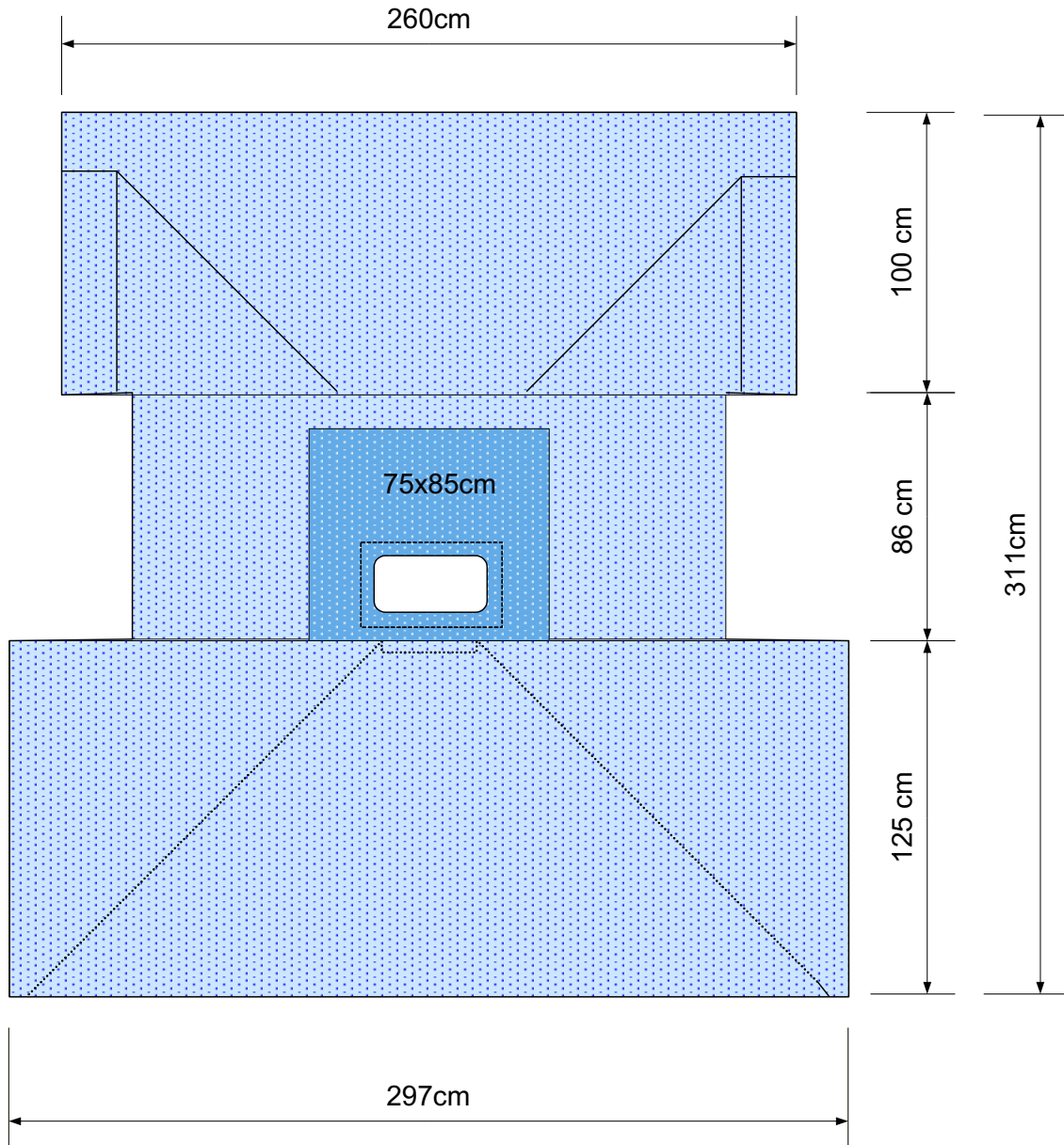




● 2-ply material

	Material	Dimensions	Maximum fenestration	Reference number	Ordernumber sterile
1	2-ply	35 x 40cm	7 x 14cm	<u>1301238</u>	103477AA
2	2-ply	75 x 120cm	24 x 12cm	1301578	104535AA
2 drapes in 1 pouch					
1301238 tape zone of 15 x 15cm around fenestration					
1301578 tape 5cm					

3.6.2 Larger fenestrated drapes

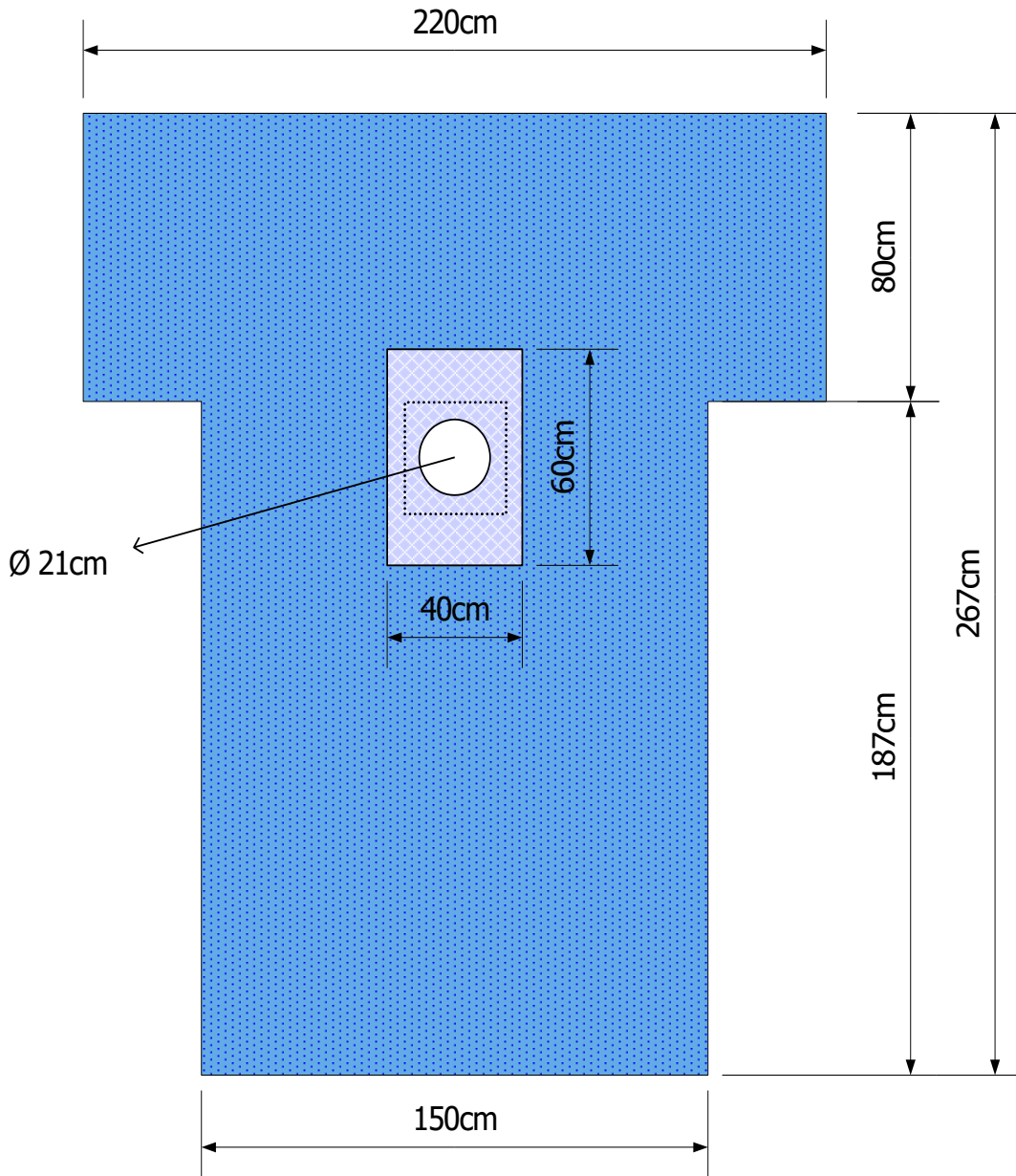
3.6.2.1 Drape fenestration SMS, 311 x 297cm, fenestration 20 x 40cm





 SMS material
  PSB3030

Material	Dimensions	Fenestration	Reference number	Ordernumber sterile
SMS	311 x 297cm	20 x 40cm	1303798	116133AA
<i>Often used for BARIATRIC surgery</i>				
Absorbent pad 75 x 85cm				

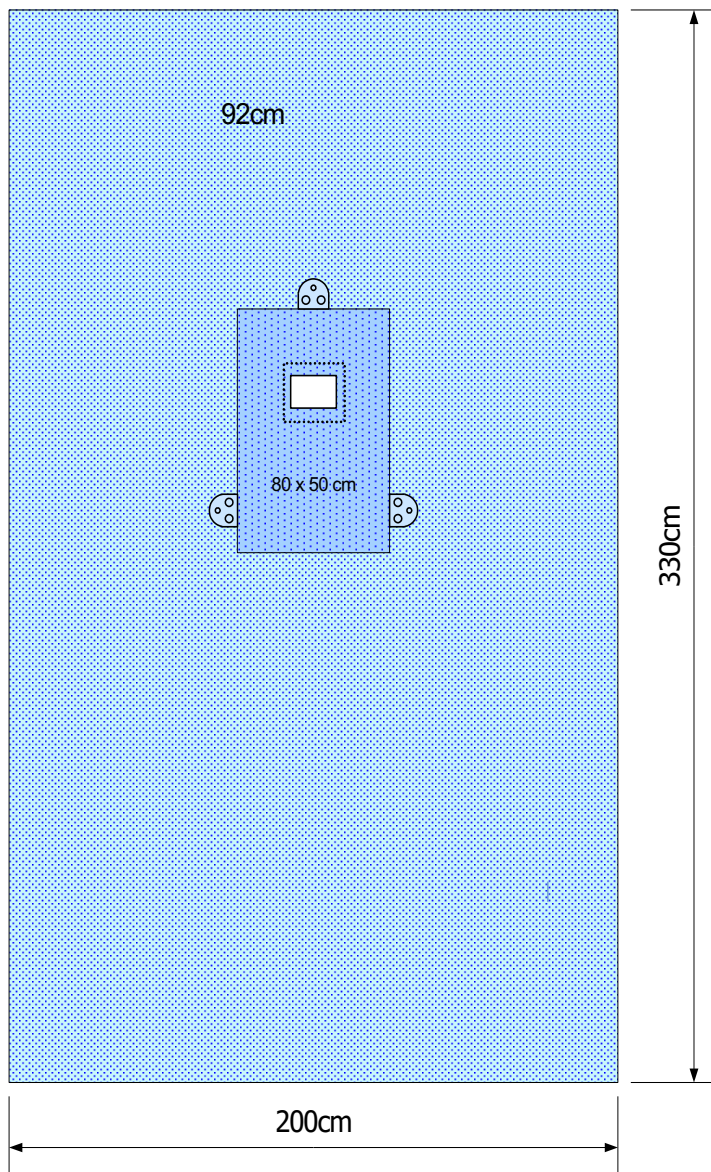
3.6.2.2 Drape fenestration SMS, 267 x 220/150cm with fenestration Ø 21cm



 SMMS material
  Absorbent material

Material	Dimensions	Reference number	Ordernumber sterile
SMS	267x220/150cm	1303225	110217AA
Fenestration Ø 21cm			
Absorption 40 x 60 cm			
Armboard covers			

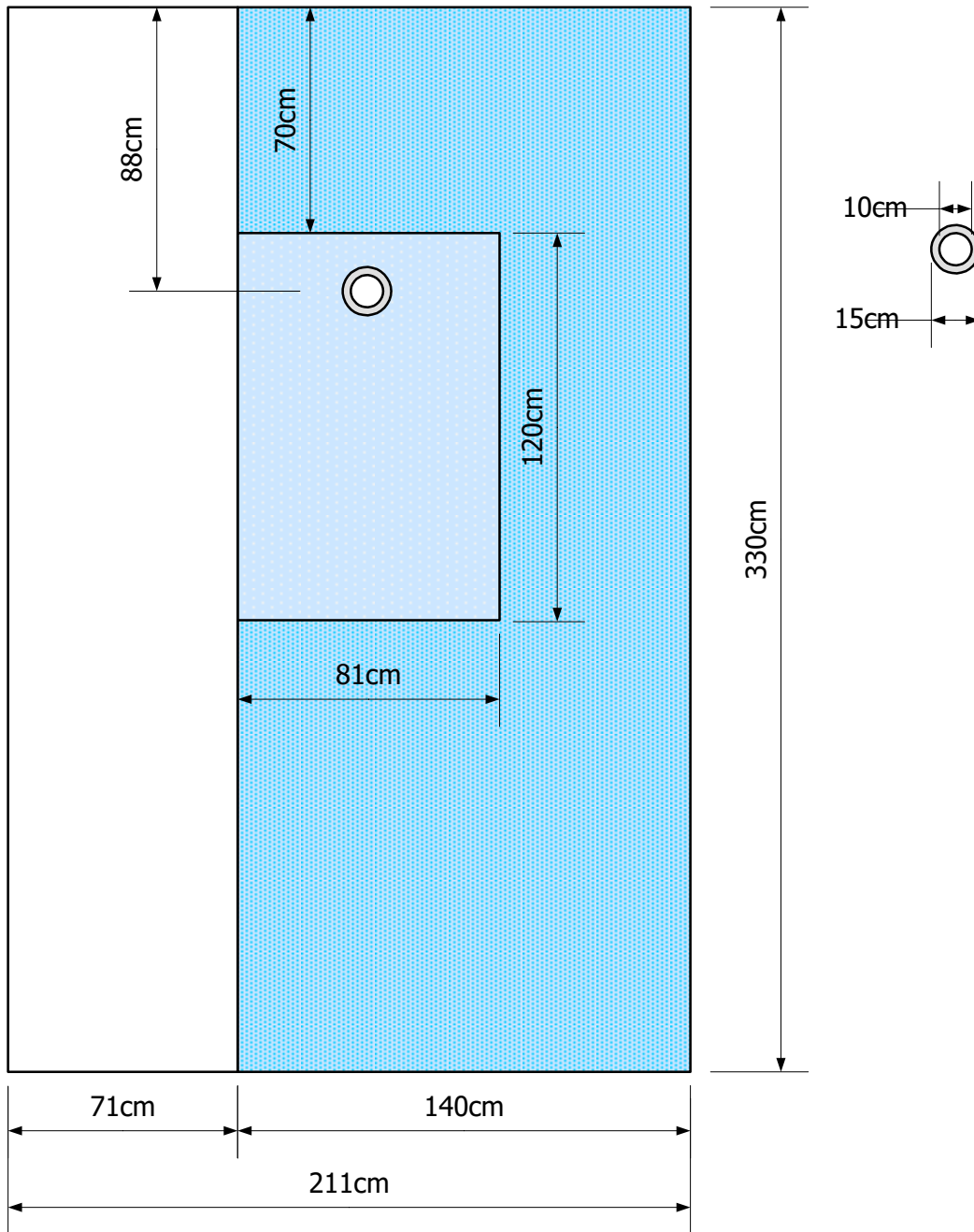
3.6.2.3 Drape fenestration Prestico®, 330 x 200cm with fenestration 10 x 15cm



 Prestico®
  Absorbent material

Material	Dimensions	Reference number	Ordernumber sterile
Prestico® material	330 x 200cm	1302943	108016AA
Fenestration 10 x 15cm with absorbent pad 80x50cm			
3x tube holder			
For instance to be used for Thyroid surgery			

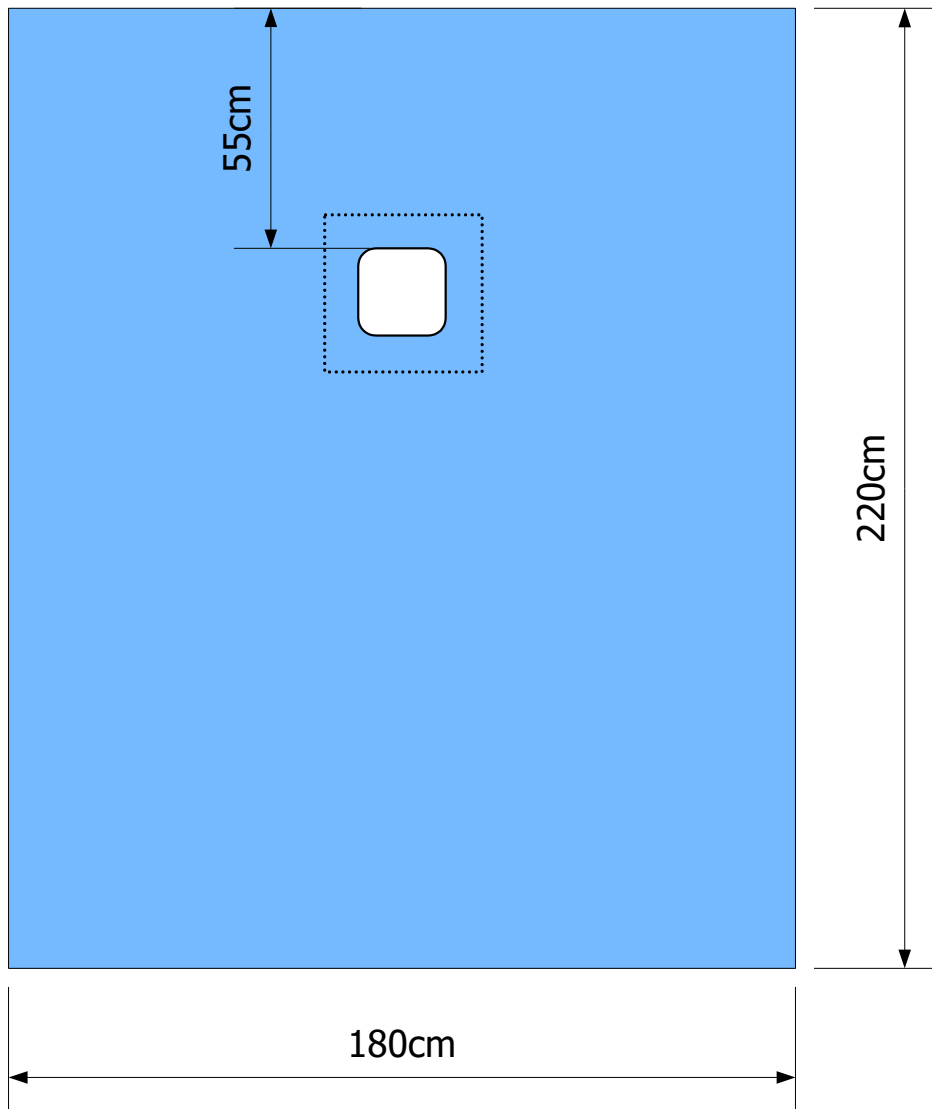
3.6.2.4 Drape fenestration SMS, 330 x 211cm, fen Ø 15cm with incision film



SMS
 HC Pad
 Transparent PE
 Incision film

Material	Dimensions	Reference number	Ordernumber sterile
SMS material	330 x 211cm	1302555	105965AA
Fenestration Ø15cm with incision film with fenestration Ø10cm			
For instance to be used for Biopsy			

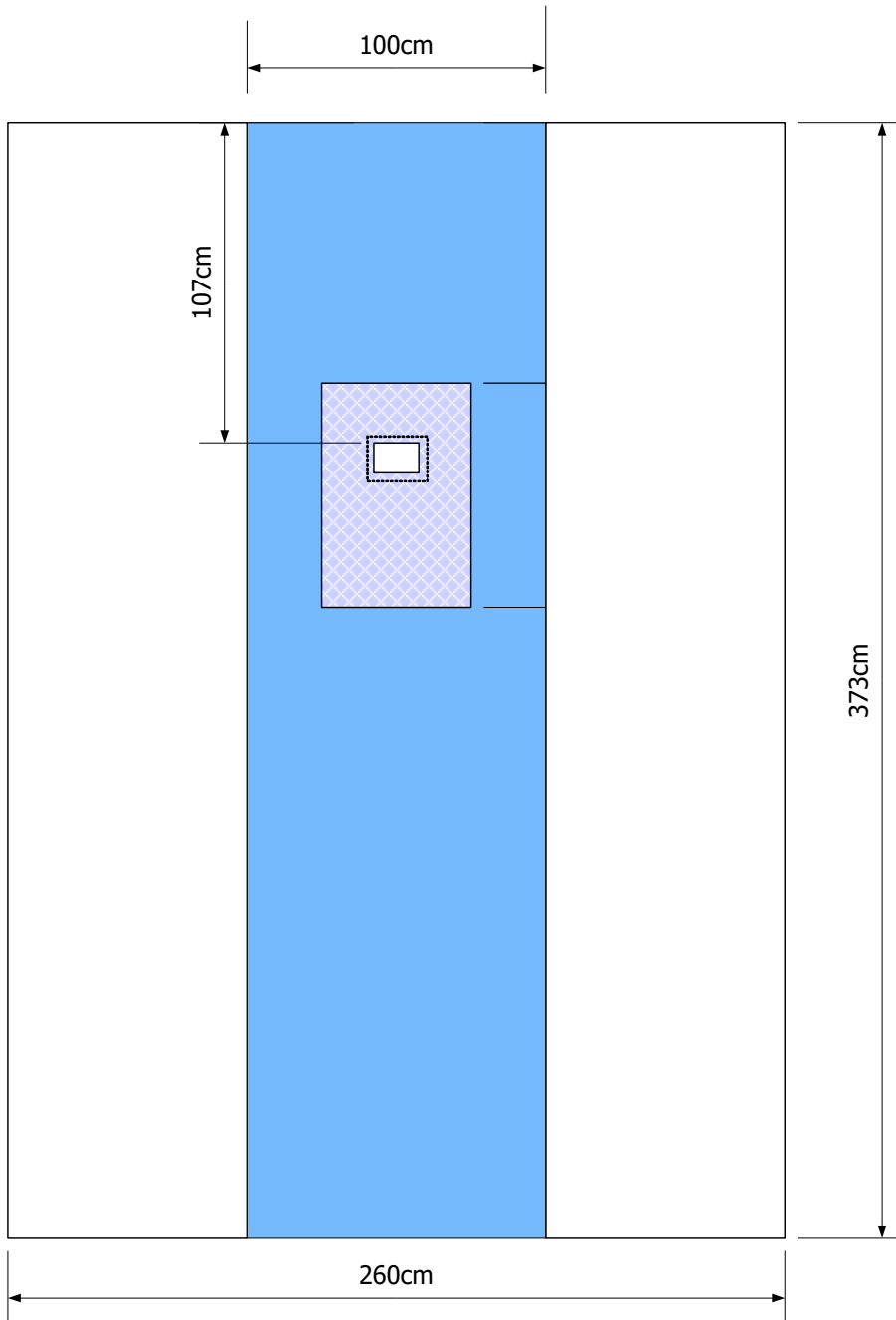
3.6.2.5 Drape fenestratiion 2-ply, 220 x 180cm with fenestration 20 x 20cm



● 2-ply

Material	Dimensions	Reference number	Ordernumber sterile
2-ply	220 x 180cm	1302020	106052AA
Fenestration 20 x 20cm			

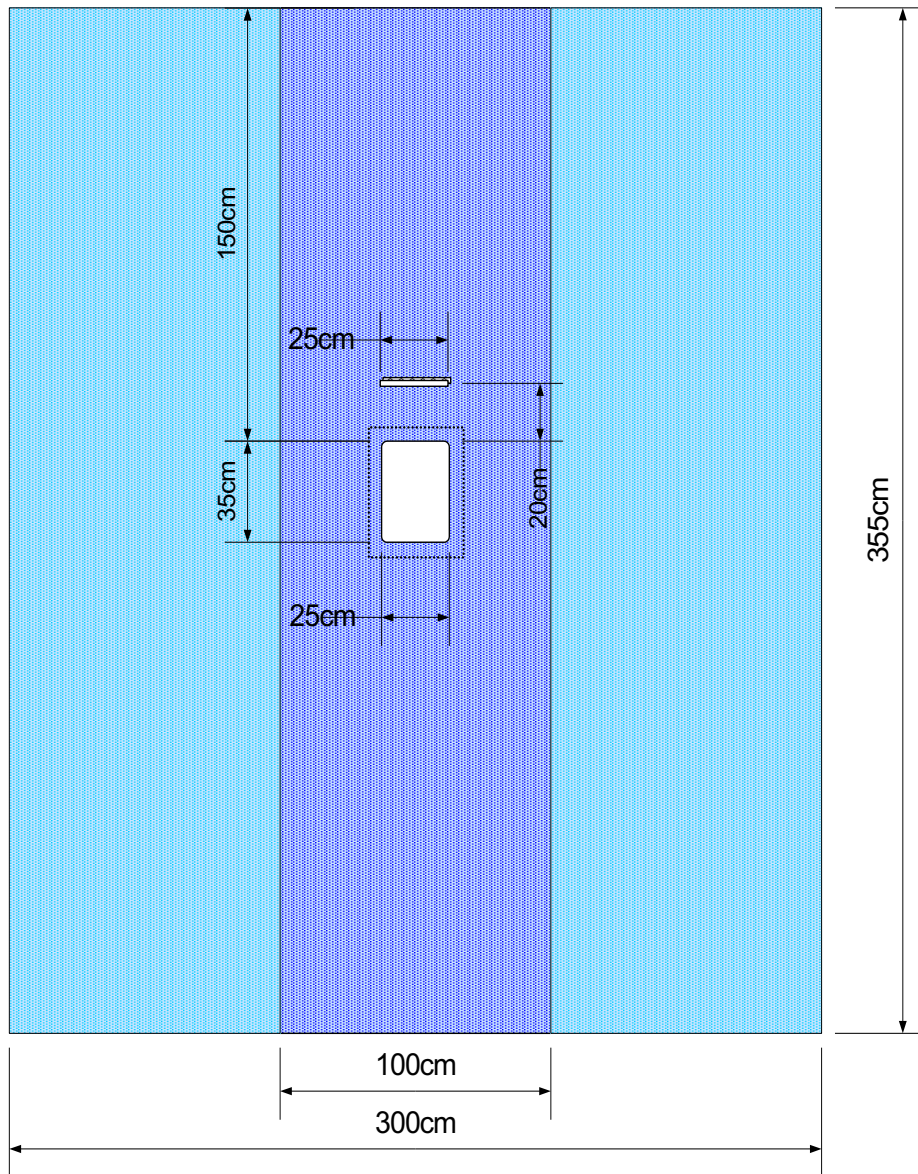
3.6.2.6 Drape fenestration 2-ply, 373 x 260cm with fenestration 10 x 15cm



● 2-ply ● Absorbent material ○ Transparent PE

Material	Dimensions	Reference number	Ordernumber sterile
2-ply material + PE side panels	373 x 260cm	1302593	110240AA
Fenestration 10 x 15cm with tape			
Absorbent pad 75 x 50cm			
For instance to be used for Thyroid surgery			

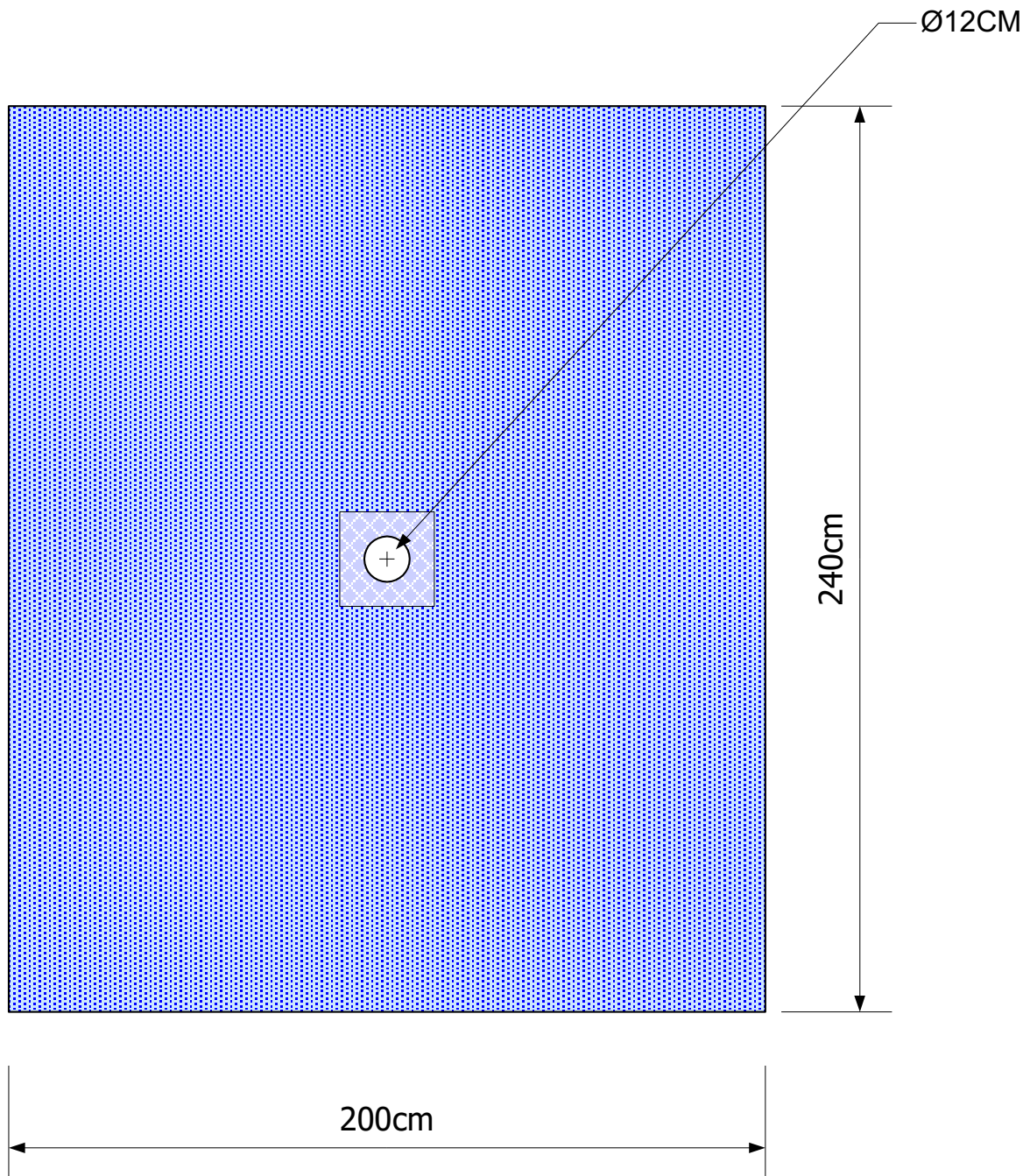
3.6.2.7 Drape fenestration 3-ply, 355 x 300cm with fenestration 35 x 25cm



● 3-ply material ● SMS

Material	Dimensions	Reference number	Ordernumber sterile
3-ply material + SMS side panels	355 x 300cm	1302805	107090AA
Fenestration 35 x 25cm			
Velcro 2 x 25cm			

3.6.2.8 Drape fenestration 3-ply, 240 x 200cm with fenestration Ø12cm



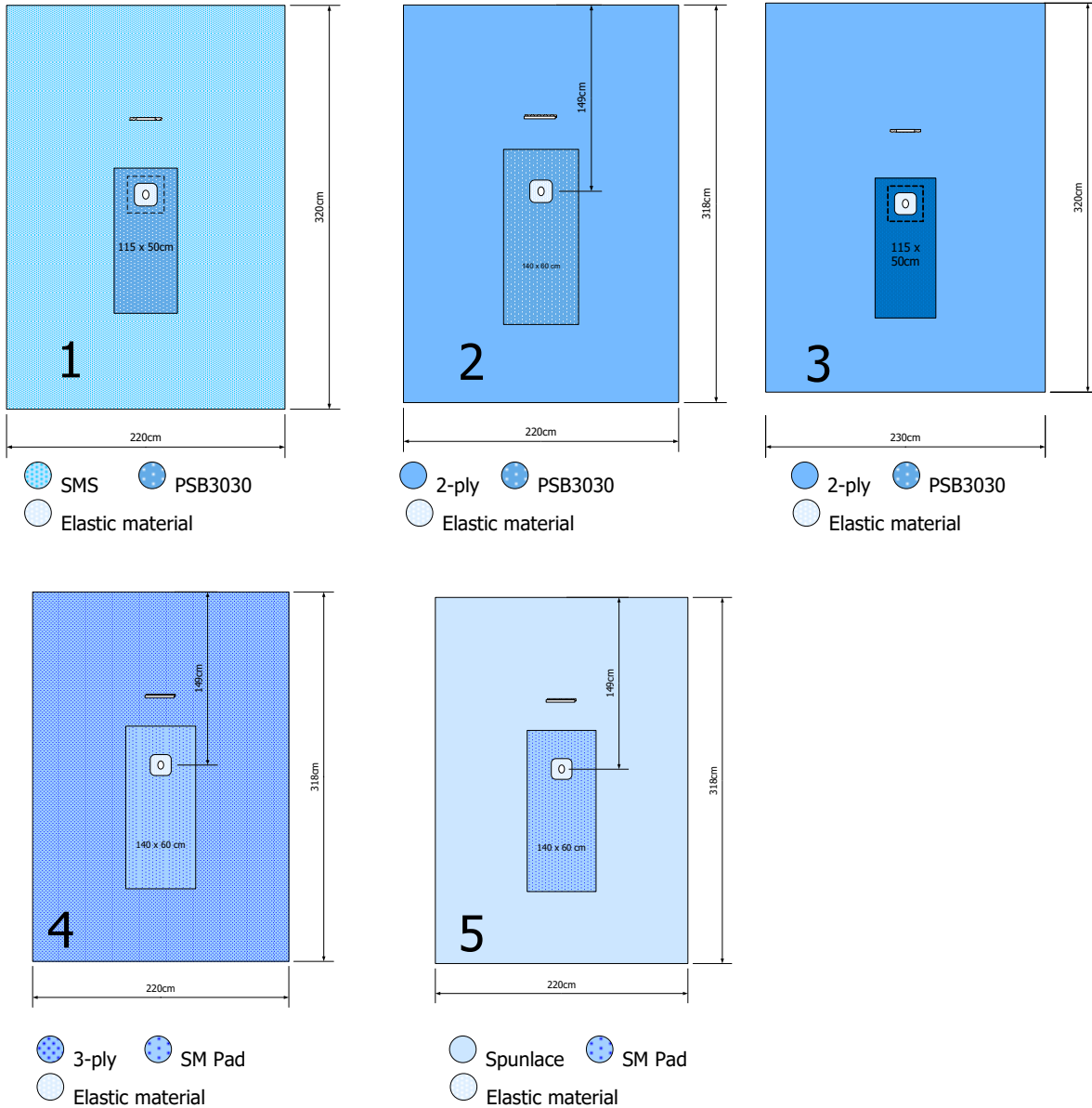
3-ply material
 Transparent PE

Material	Dimensions	Reference number	Ordernumber sterile
3-ply material	240 x 200cm	1303584	111500AA
Fenestration Ø 12cm			
Absorbent pad 25 x 25cm			

4 Orthopedics

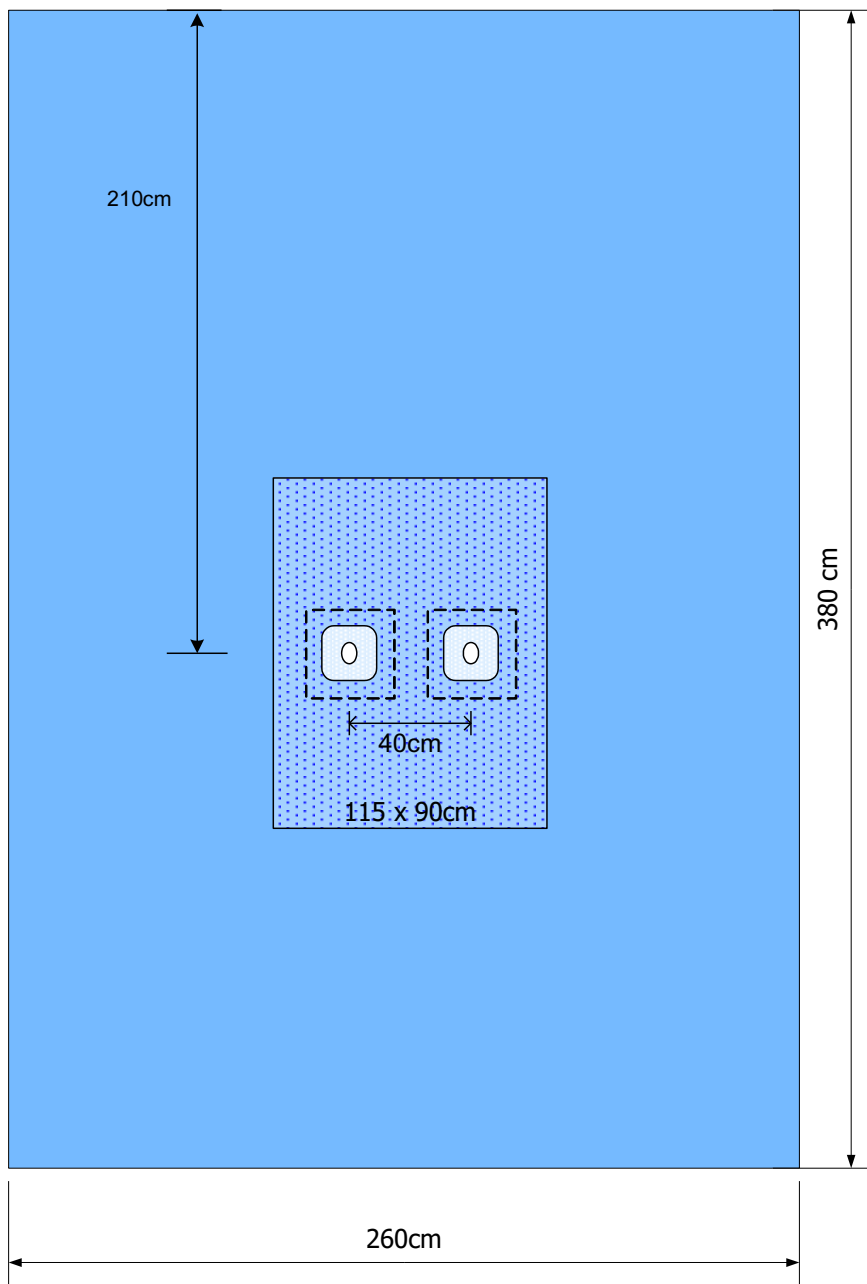
4.1 Extremity drapes

4.1.1 Extremity drape with elastic fenestration



	Material	Dimensions	Reference number	Ordernumber sterile
1	SMS	320 x 220cm	1301928	106227AA / 11055EGB
2	2-ply	318 x 220cm	1303678	112231AA
3	2-ply HCD	315 x 230cm	<u>1304630</u>	115731AA
4	3-ply	318 x 220cm	<u>1301977</u>	103697AA
5	Spunlace	318 x 220cm	1301976	104536AA
Elastic fenestration with oval fenestration 5 x 7cm				
Velcro 25cm				

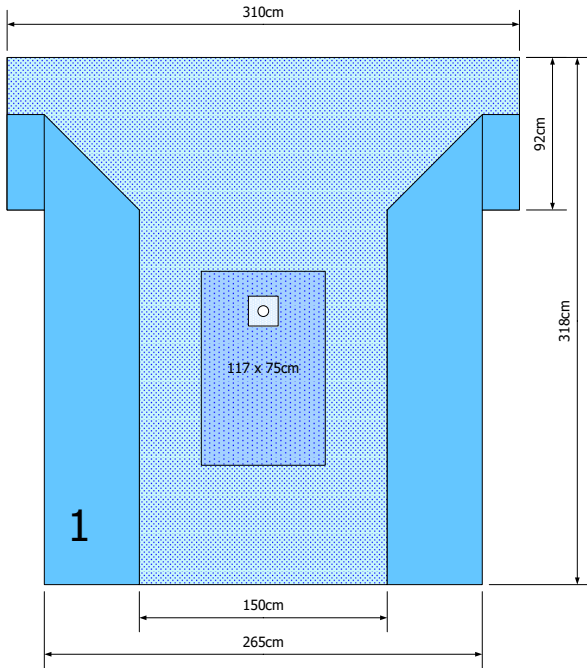
4.1.2 Bilateral extremity drape with 2 elastic fenestrations



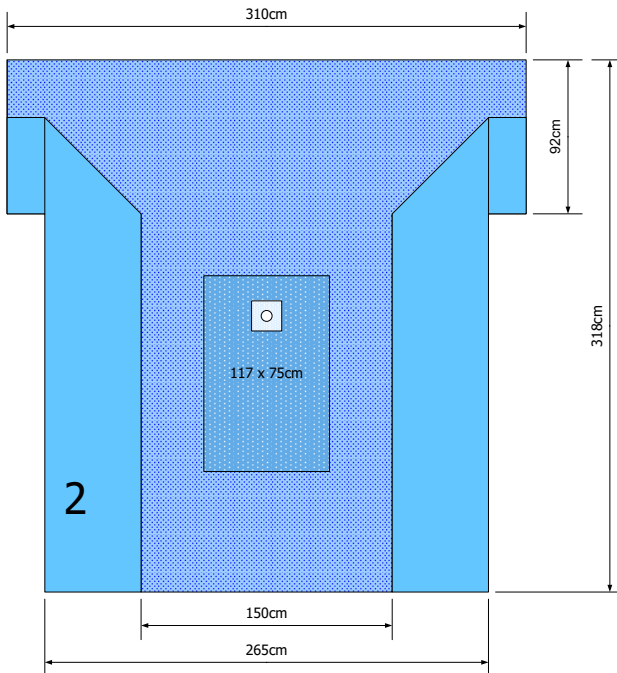
● 2-ply ● Absorbent material ○ Elastic material

Material	Dimensions	Reference number	Ordernumber sterile
2-ply material	380 x 260cm	1302993	108381AA
Two elastic zones with 2 oval fenestrations 7 x 5cm			
Absorbent pad 115 x 90cm			

4.1.3 Extremity drape with elastic fenestration and armboard covers



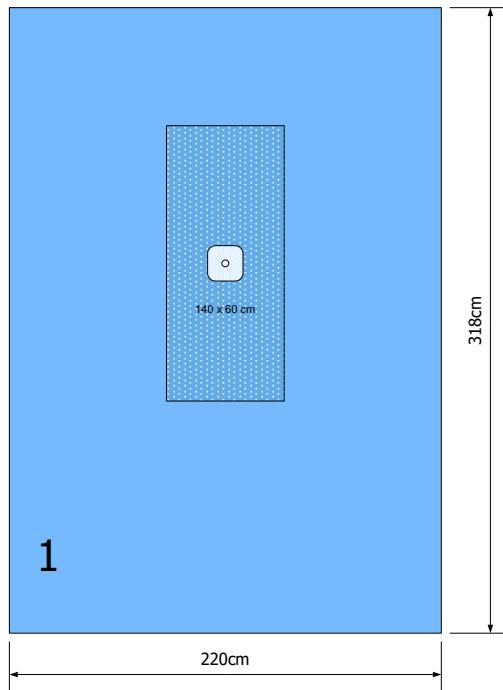
Prestico®
 SM Pad
 PE blue
 Elastic material



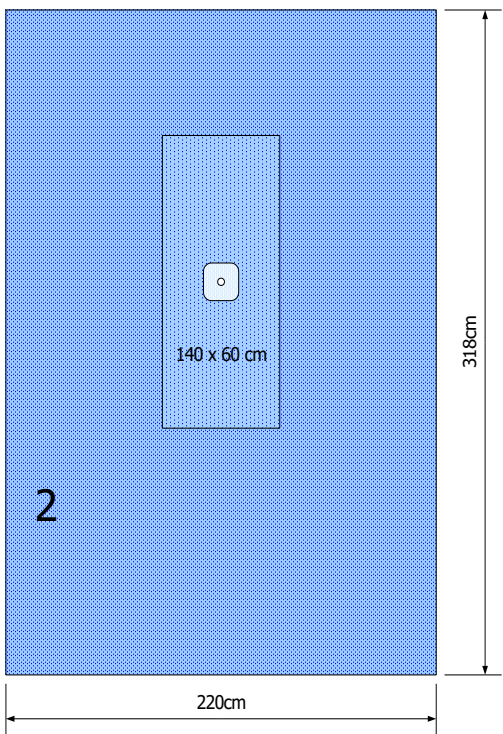
3-ply
 PSB3030
 PE blue
 Elastic material

	Material	Dimensions	Reference number	Ordernumber sterile
1	Prestico®	318 x 265/310cm	<u>1302545</u>	106234AA
2	3-ply material	318 x 265/310cm	1302542	106168AA
Elastic fenestration 18 x 18cm with fenestration Ø 6,5cm				
Absorbent pad 117 x 75cm				
Armboard covers				

4.1.4 Extremity drape (hand-foot) with small fenestration



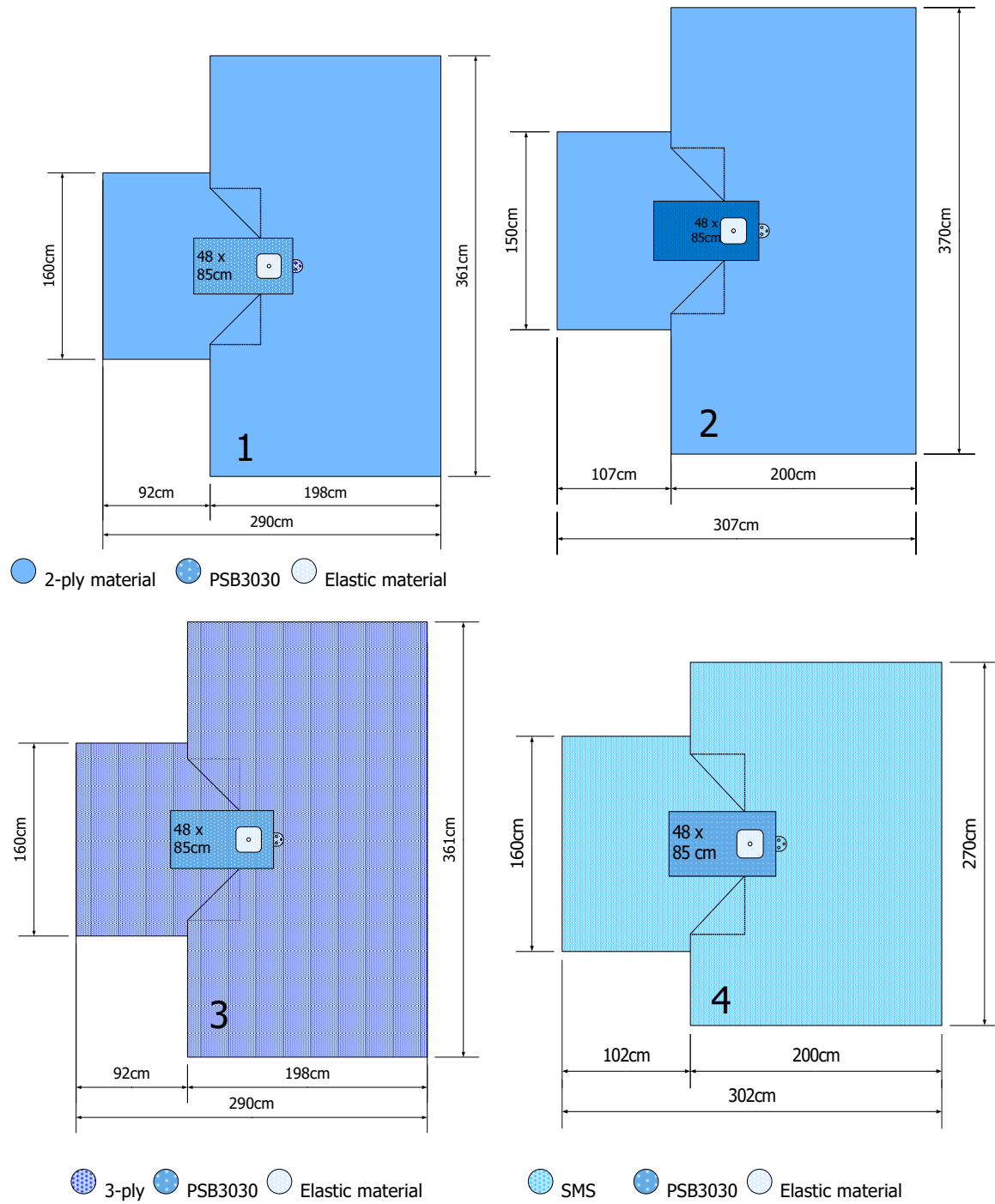
● 2-ply material ● PSB3030 ○ Elastic material



● 3-ply material ● SM Pad ○ Elastic material

	Material	Dimensions	Reference number	Ordernumber sterile
1	2-ply material	318 x 220cm	1303876	112232AA
2	3-ply material	318 x 220cm	<u>1302064</u>	104556AA
Elastic fenestration with fenestration Ø 3cm				
Absorbent pad 140 x 60cm				

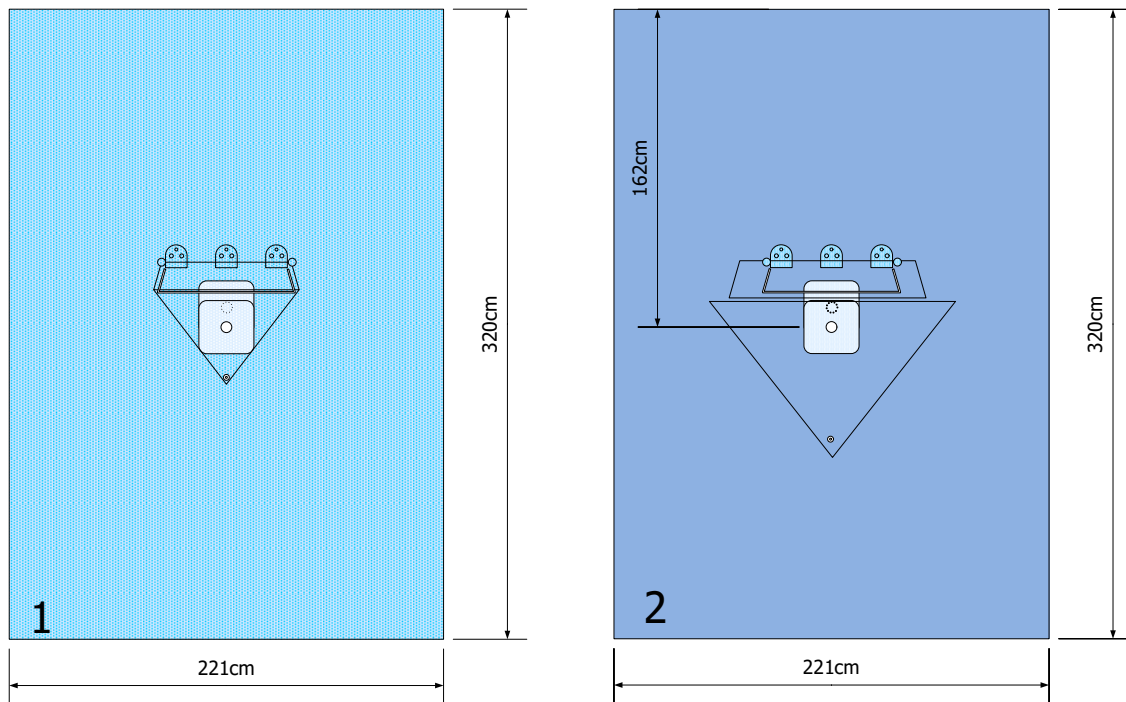
4.1.5 Hand drapes



	Material	Dimensions	Reference number	Ordernumber sterile
1	2-ply	361 x 290/160cm	1303679	112233AA
2	2-ply HCD	370 x 307/150cm	1304880	tbd
3	3-ply	361 x 290/160cm	1302641	107134AA
4	SMS	270 x 302/160cm	1301926	106236AA
Elastic fenestration Ø 3cm				

4.2 Arthroscopy drapes

4.2.1 Arthroscopy drape 320x221 cm, with fluid collection pouch



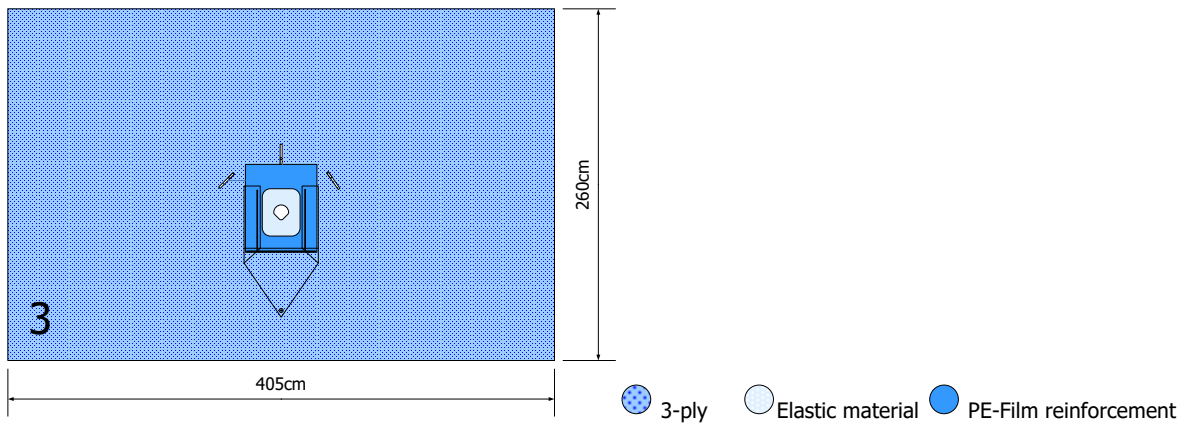
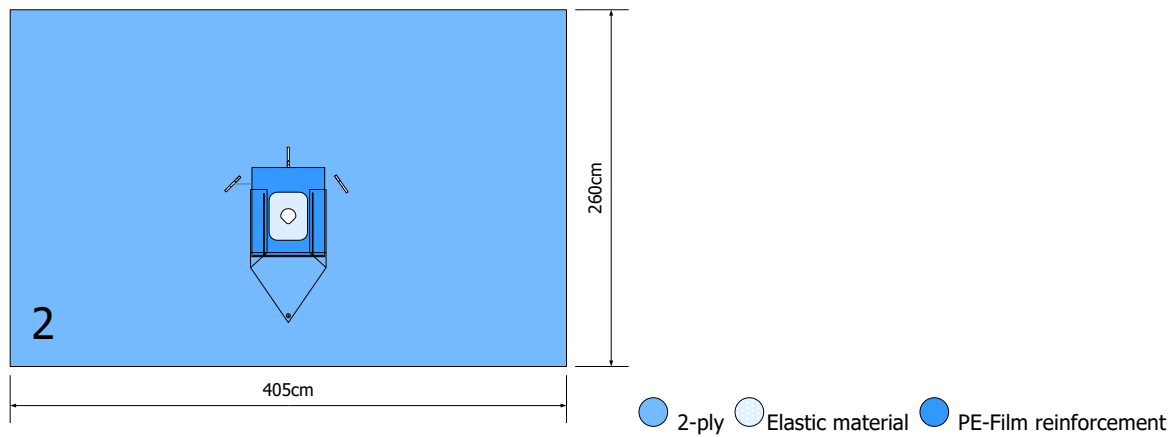
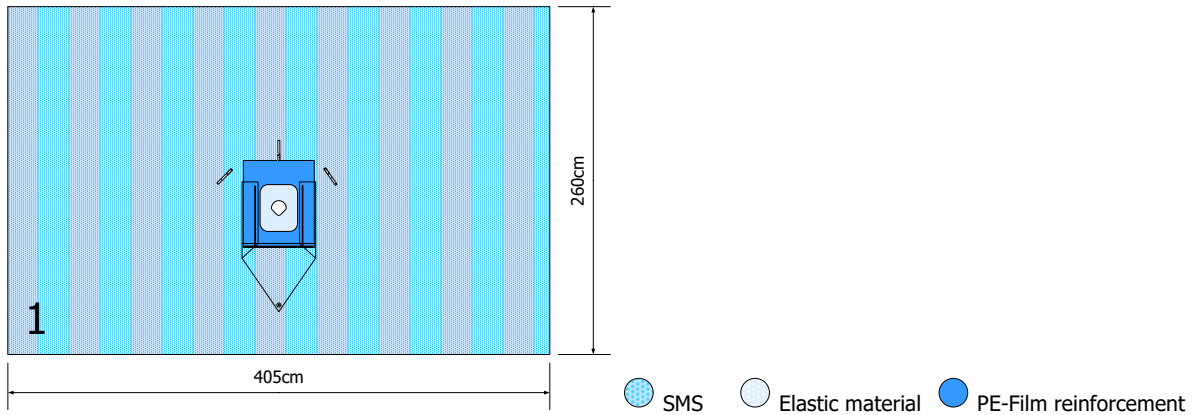
● SMS ○ Elastic material

● 2-ply material ○ Elastic material

	Material	Dimensions	Reference number	Elastic fenestration	Ordernumber sterile
1	SMS	320 x 221cm	1301929	Ø 6cm	104362AA / 11056EGA
2	2-ply	320 x 221cm	1304553	Ø 6cm / large pouch	115441AA
Fluid collection pouch					
3 x Tube holders					

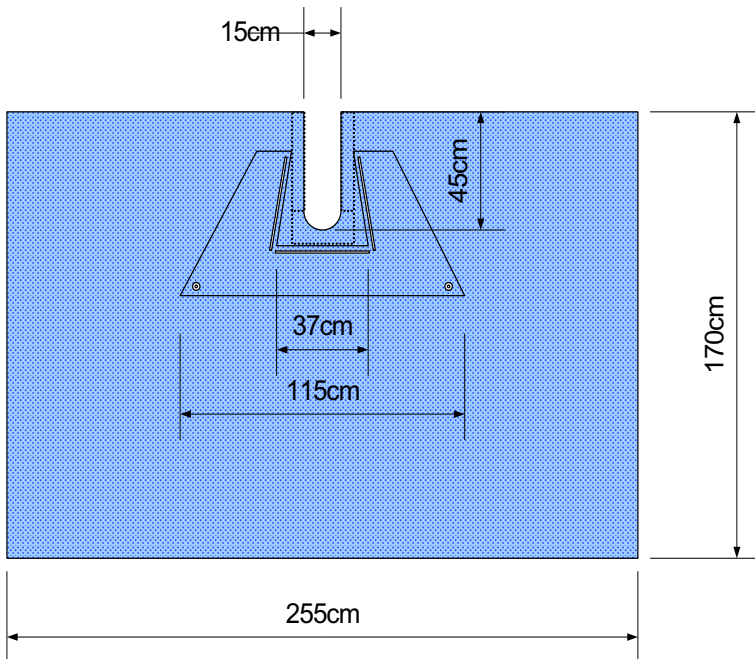
4.3 Shoulder drapes

4.3.1 Arthroscopy drape 260 x 405cm (position beach chair)



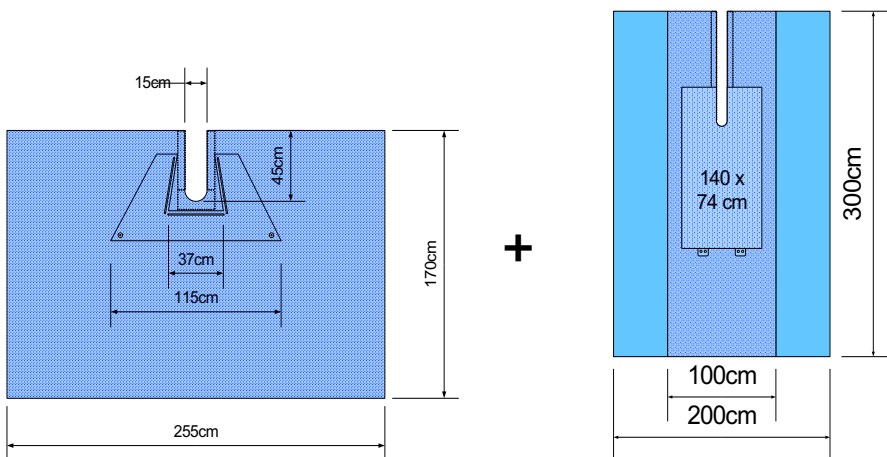
	Material	Dimensions	Reference number	Ordernumber sterile
1	SMS	260 x 405cm	1307156	106082AA
2	2-ply	260 x 405cm	1303680	112234AA
3	3-ply	260 x 405cm	<u>1302640</u>	107413AA
Fluid collection pouch with valve and flexwires				
3 x velcro tube holders				
Tape on elastic material (kraton)				

4.3.2. Shoulder drape



3-ply

Material	Dimensions	Reference number	Ordernumber sterile
3-ply material	170 x 255cm	1302544	105264AA
Fluid collection pouch			
Tape 5cm			

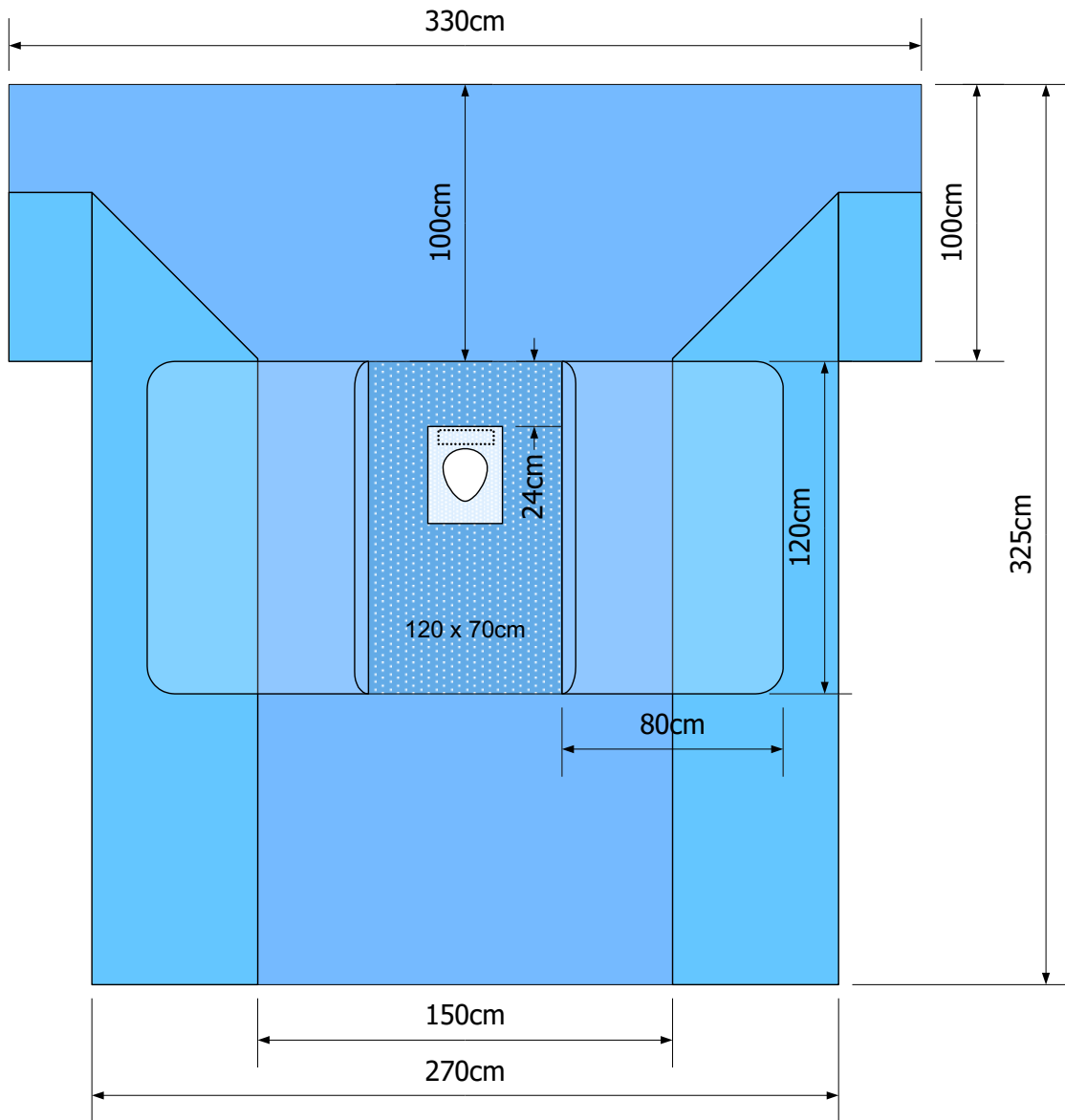


Possibility for total draping 3 ply 1302544 + 1307253

Ordernumber sterile 107534AA

4.4 Hip drapes

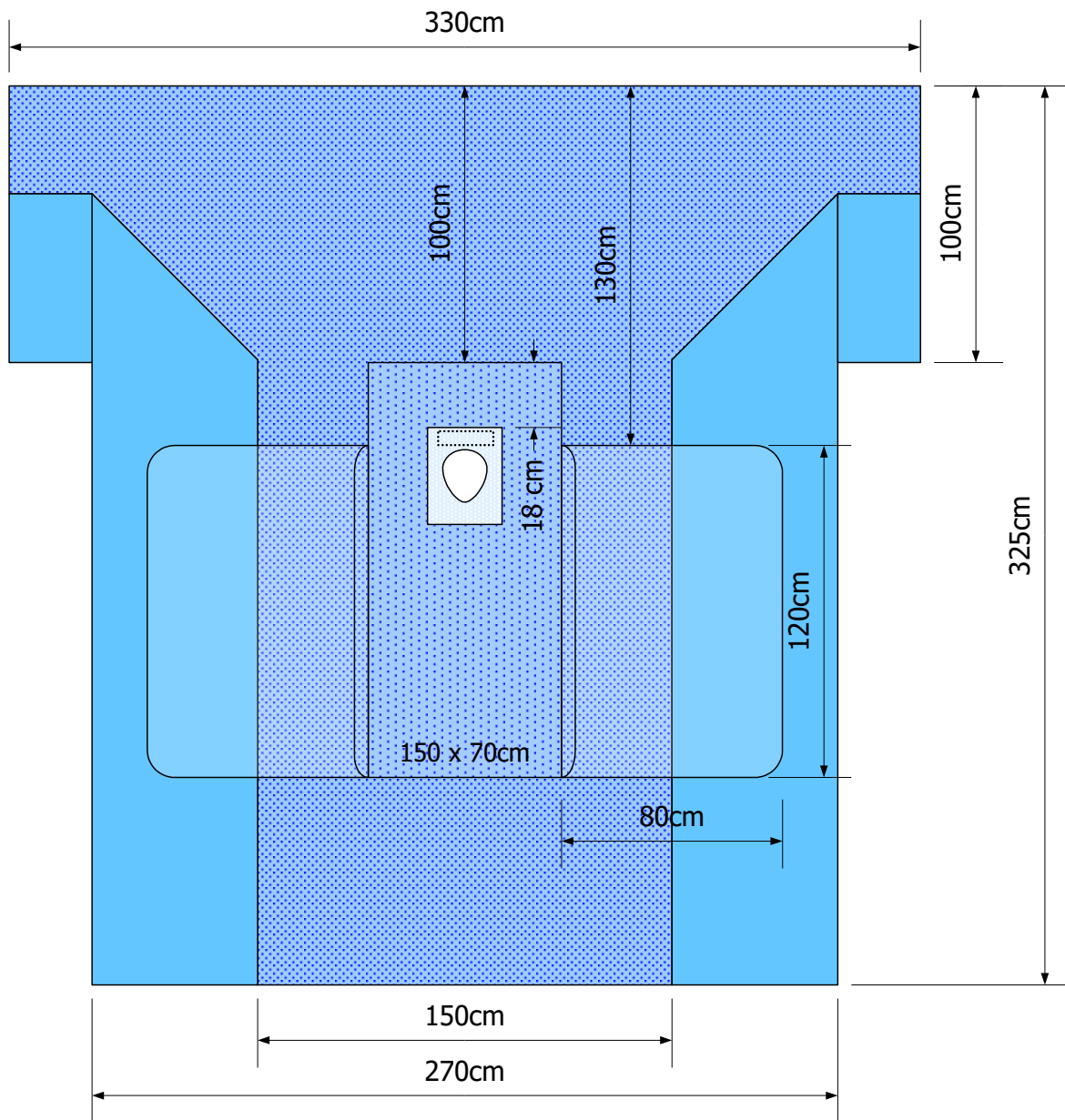
4.4.1 Hip drape 2-ply



● 2-ply material ● PE/blue ● PSB3030 ● Elastic material

Material	Dimensions	Absorbent pad	Reference number	Ordernumber sterile
2-ply	325 x 270/330cm	120 x 70cm	1303681	112295AA
2 fluid collection pouches				
Oval elastic fenestration 16 x 19cm, with tape 5 x 20cm				
Armboard covers				

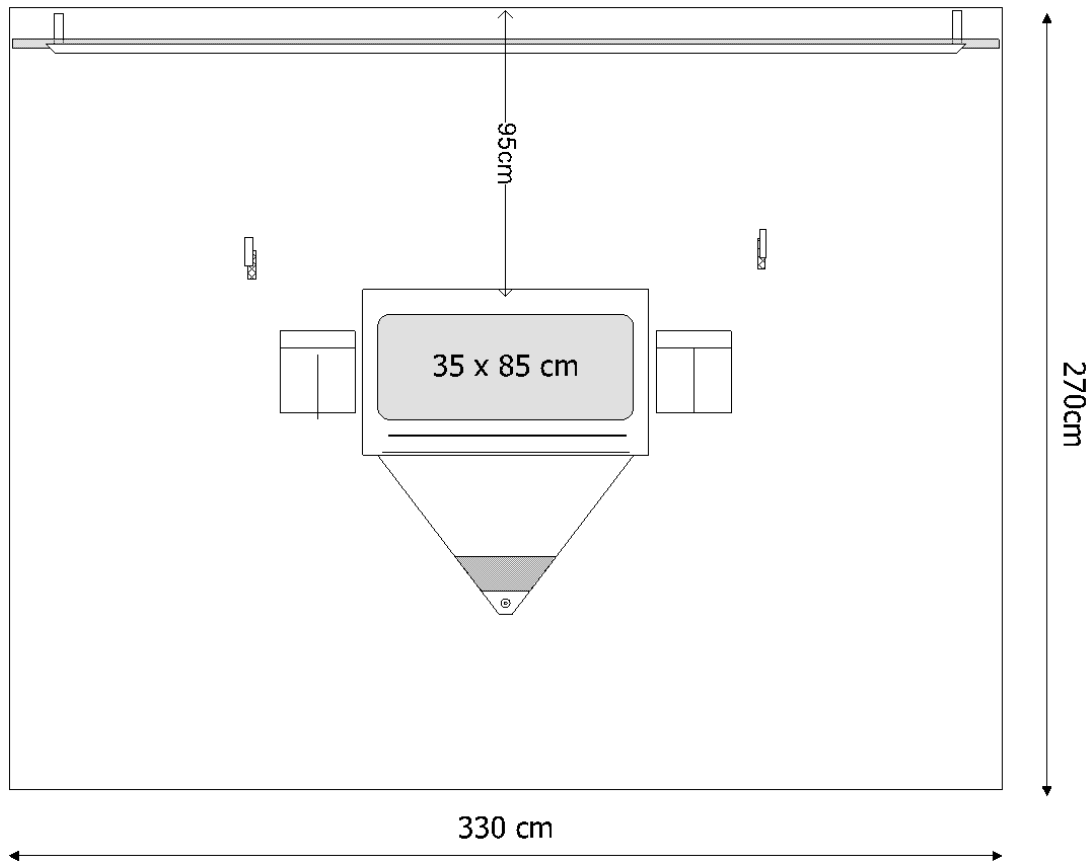
4.4.2 Hip drape 3-ply



3-ply
 PE/blue
 SM Pad
 Elastic material

Material	Dimensions	Absorbent pad	Reference number	Ordernumber sterile
3-ply	325 x 270/330cm	150 x 70cm	1302275	105762AA
2 fluid collection pouches				
Oval elastic fenestration 16 x 19cm, with tape 5 x 20cm				
Armboard covers				
Absorbent pad 150 x 70cm				

4.4.3 Vertical isolation drape



- Transparent PE
- Incision film

Material	Dimensions	Reference number	Ordernumber sterile
PE/transparent	270 x 330cm	1302292	105066AA
Incision film 35 x 85cm			
Tape on the top 2cm wide			
Fluid collection pouch, 89 x 60cm, with filter and valve			
2 x velcro			
2 x instrument pouches 25 x 28cm			

5 Neurology

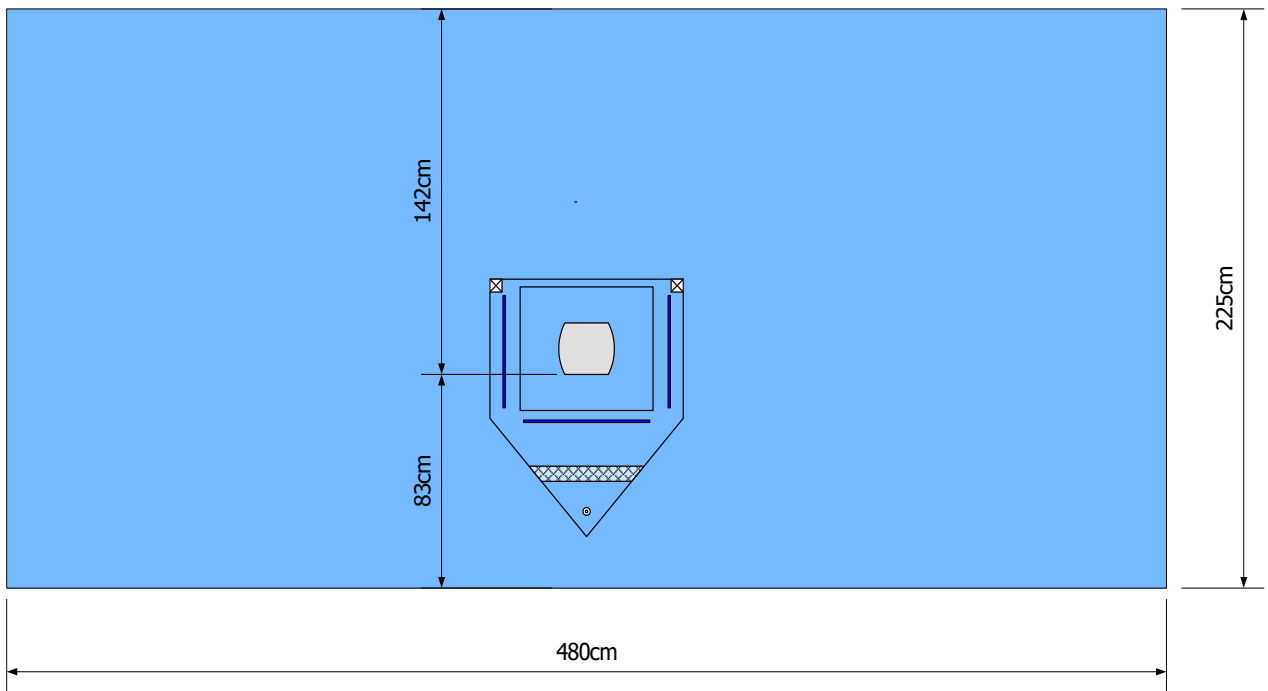
5.1 HNP (Hernia Nuclei Pulposi)

To be used as HNP drape:

1302805 Drape with fenestration, 3-ply, 355 x 300cm, fenestration 35x25cm (see page 47)

5.2 Craniotomy drape

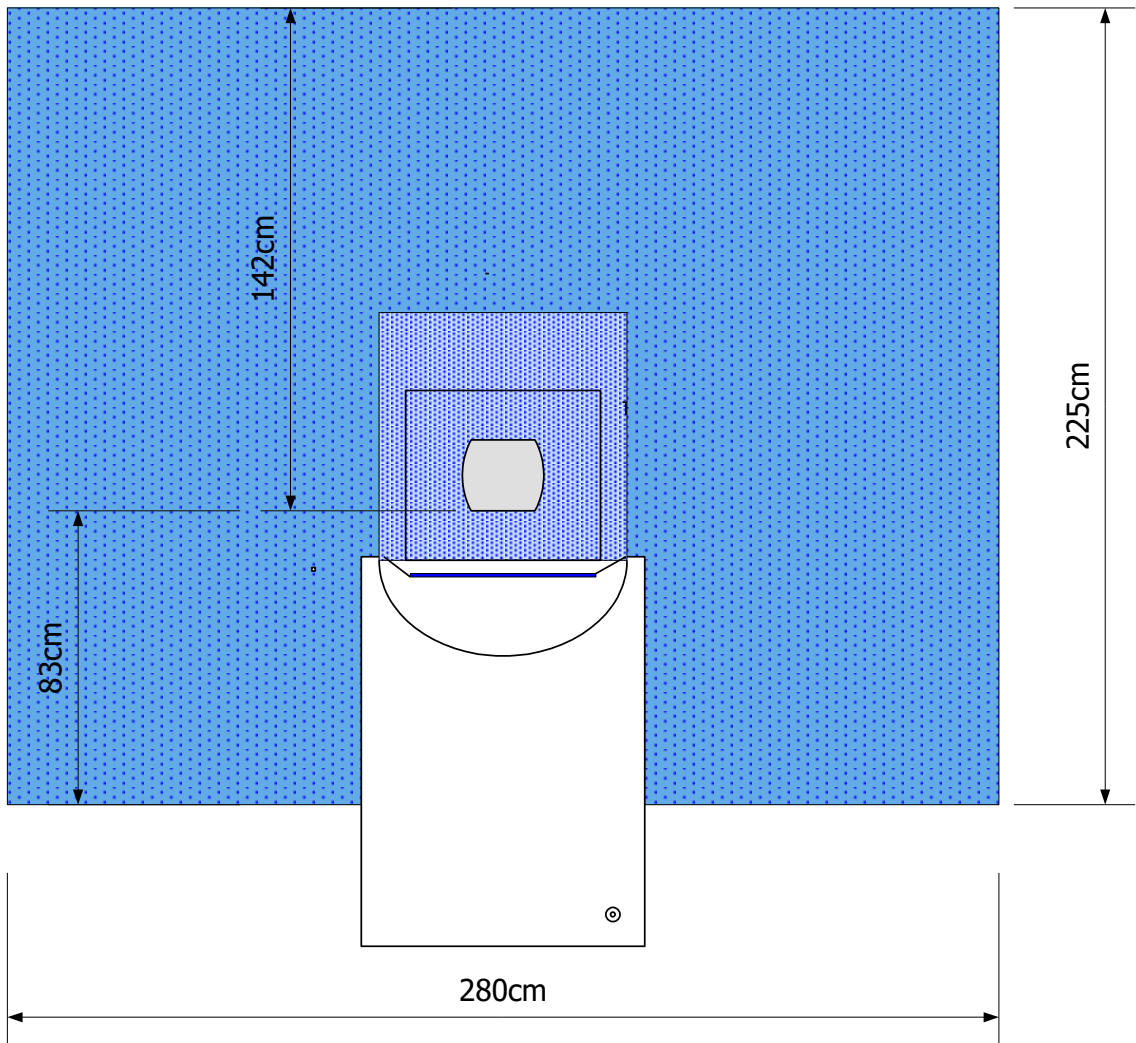
5.2.1 Craniotomy drape, 2-ply, 225 x 480cm with fenestration 20x23cm



● 2-ply ● Incision film

Material	Dimensions	Reference number	Ordernumber sterile
2-ply	225 x 480cm	1301963	108485AA
Fluid collection pouch with filter			
Fenestration 20 x 23cm with full incision film			

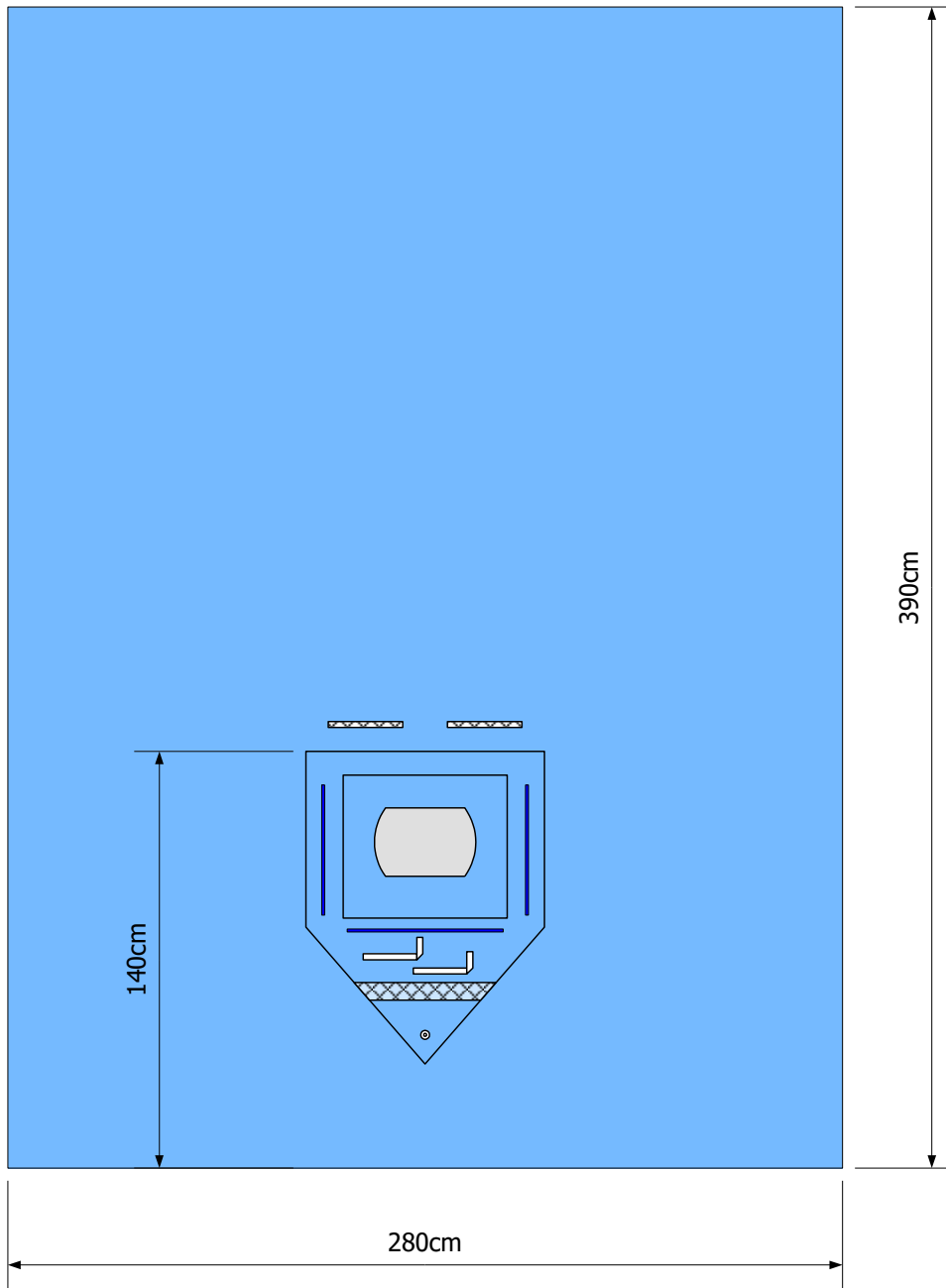
5.2.2 Craniotomy drape, SMS, 225 x 280cm with fenestration 20x23cm



SMMS
 Absorbent material
 Incision film
 Transparent PE

Material	Dimensions	Reference number	Ordernumber sterile
SMS	225 x 280cm	1303194	103698AA
Fluid collection pouch with perforated inner pocket			
Fenestration 20 x 23cm with full incision film			
Absorbent pad 70 x 85cm			
2 position slots for navigation equipment			

5.2.3 Craniotomy drape, 2-ply, 390 x 280cm with fenestration 23x34cm



● 2-ply material ○ Incision film

Material	Dimensions	Reference number	Ordernumber sterile
2-ply material	390 x 280cm	1307244	103855AA
Fluid pouch with filter			
Fenestration 23 x 34cm with full incision film			

6 Gynaecology, obstetrics and urology

6.1 Laparoscopy /-tomy drapes

To be used as laparoscopy / - tomy drapes:

1302805 Drape with fenestration 3-ply, 355 x 300cm with fenestration 35 x 25
(see page 47)

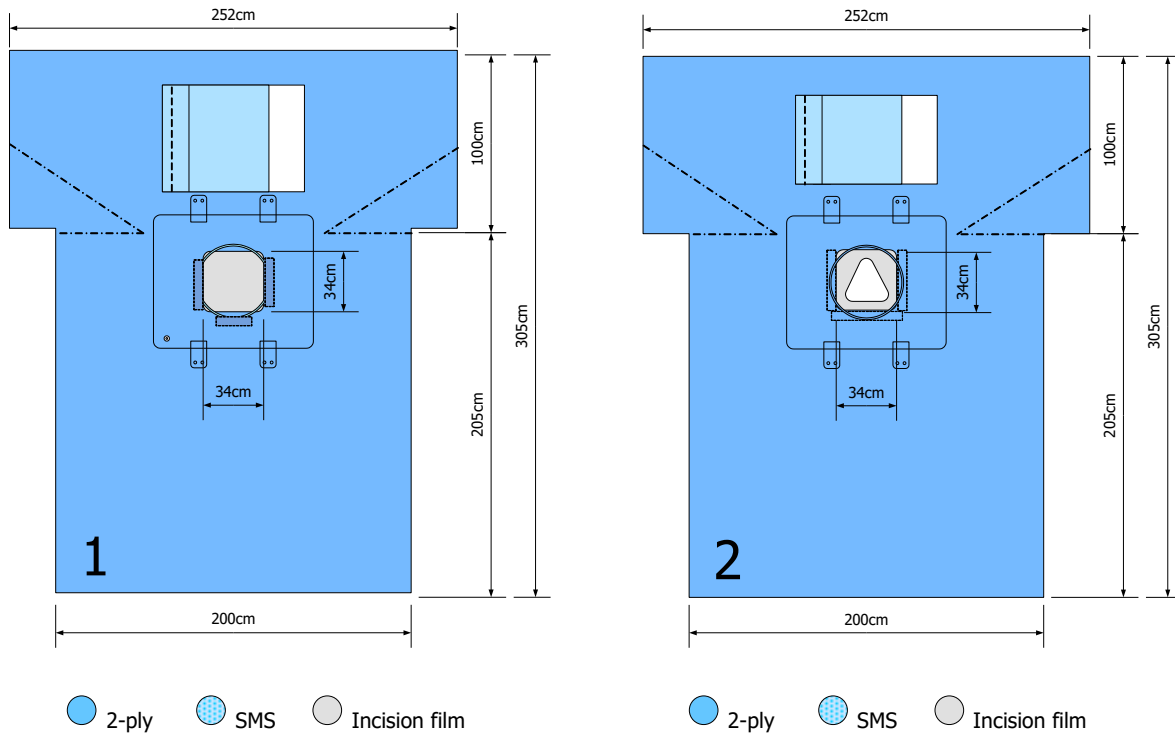
1303225 Drape with fenestration SMS, 220x150/267cm,with fenestration Ø 21
(see page 42)

1302020 Drape with fenestration 2-ply, 220 x 180cm, with fenestration 20 x 20
(see page 45)

1303798 Drape with fenestration, SMS, 311 x 297cm, with fenestration 20 x 40
(see page 41)

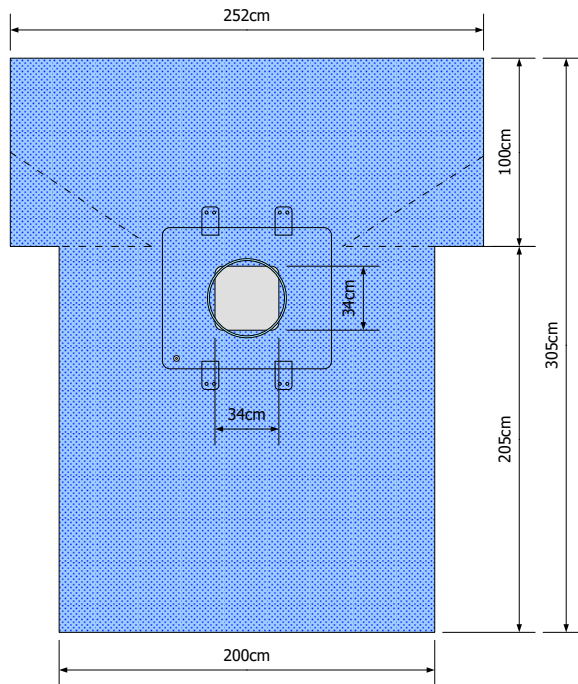
6.2 C-Section drapes

6.2.1 C-Section drape with "mother watch" fenestration



Material	Dimensions	Reference number	Ordernumber sterile
2 -ply material	305 x 200/225cm	<u>1303371</u>	109972AA
2-ply material	305 x 200/225cm	1303752	111286AA
Laparotomy fenestration 34 x 34cm with incision film			
Extra tape for extra fixation			
4 x tube holder			
Transparent fenestration (mother watch) with a covering drape			

6.2.2 C-Section drape with fluid pouch, full incision film

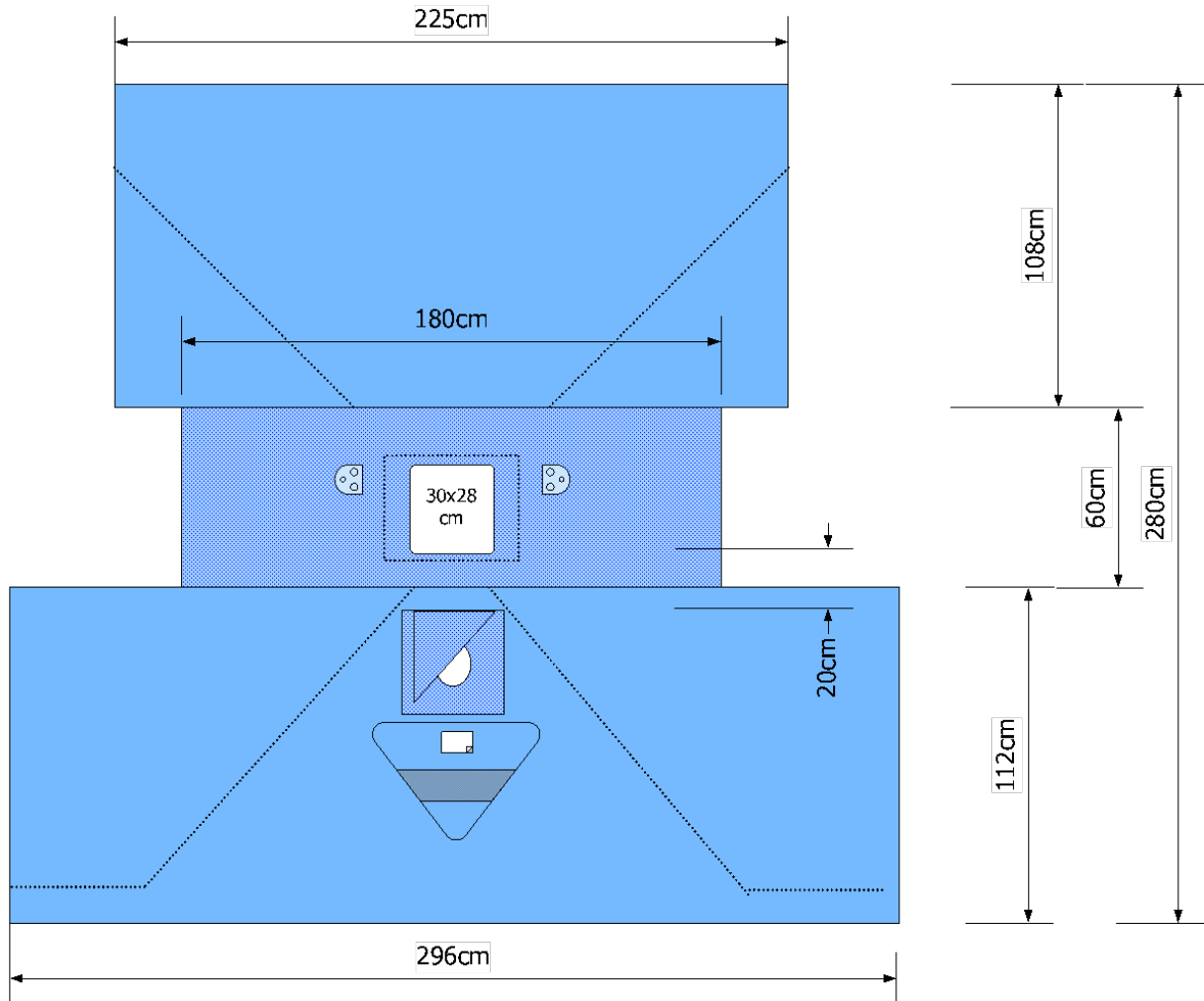


● 3-ply ○ Incision film

	Material	Dimensions	Reference number	Ordernumber sterile
	3-ply	305 x 200/252cm	<u>1302563</u>	106045AA
Fluid collection pouch with suction port 75x90 cm and foam band				
Full incision film, tube holders, armboard covers				

6.3 Gynaecology- laparotomy drapes

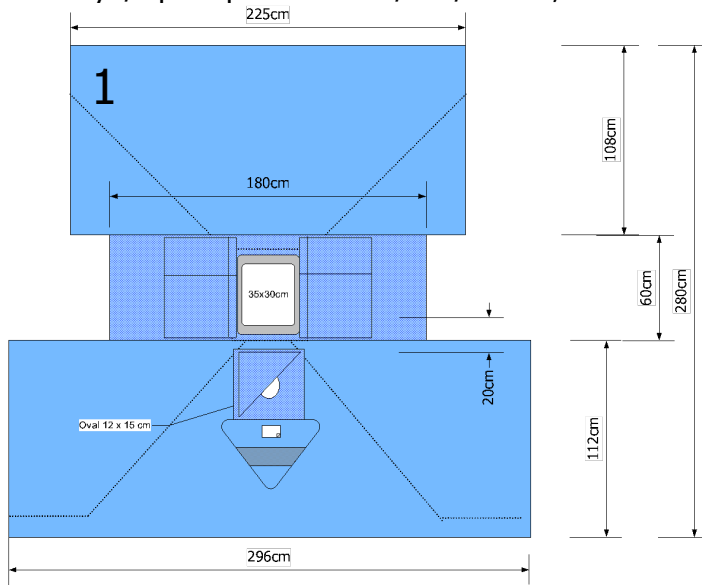
6.3.1 Gyn/lap drape 280 x 296/180/225cm with fenestration 30 x 28cm



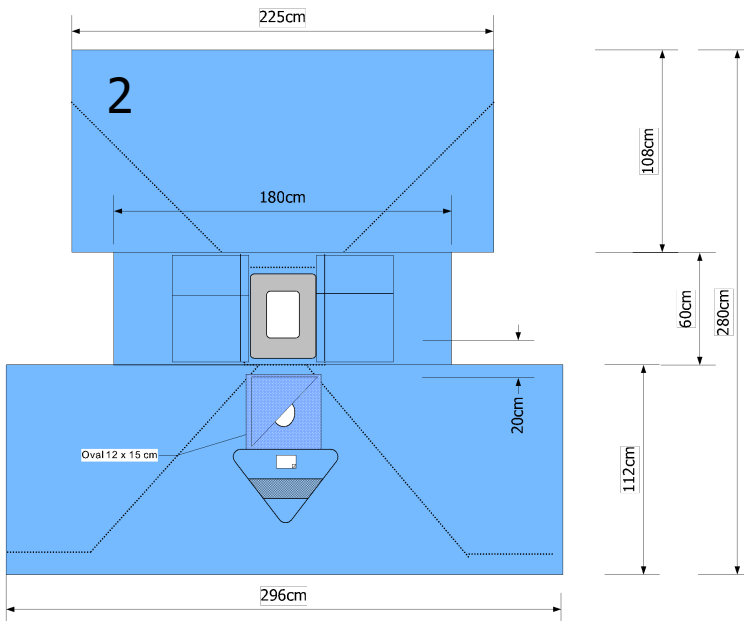
3-ply
 2-ply

Material	Dimensions	Reference number	Ordernumber sterile
2/3 ply material	280 x 296/180/225cm	1303482	110243AA
Laparotomy fenestration 30 x 28 cm			
Gynaecology fenestration oval 12 x 15 cm, with cover			
Fluid collection pouch with drain possibility			
2 x Tube holders			

6.3.2 Gyn/lap drape 280 x 296/180/225cm, with fenestration 35 x 30cm



● 3-ply ● 2-ply ● Incision film



● 2-ply ● Incision film

	Material	Dimensions	Reference number	Ordernumber sterile
1	2/3 ply material	280x296/180/225cm	<u>1303788</u>	111466AA
2	2-ply material, stronger INC film	280x296/180/225cm	1304872	116670AA

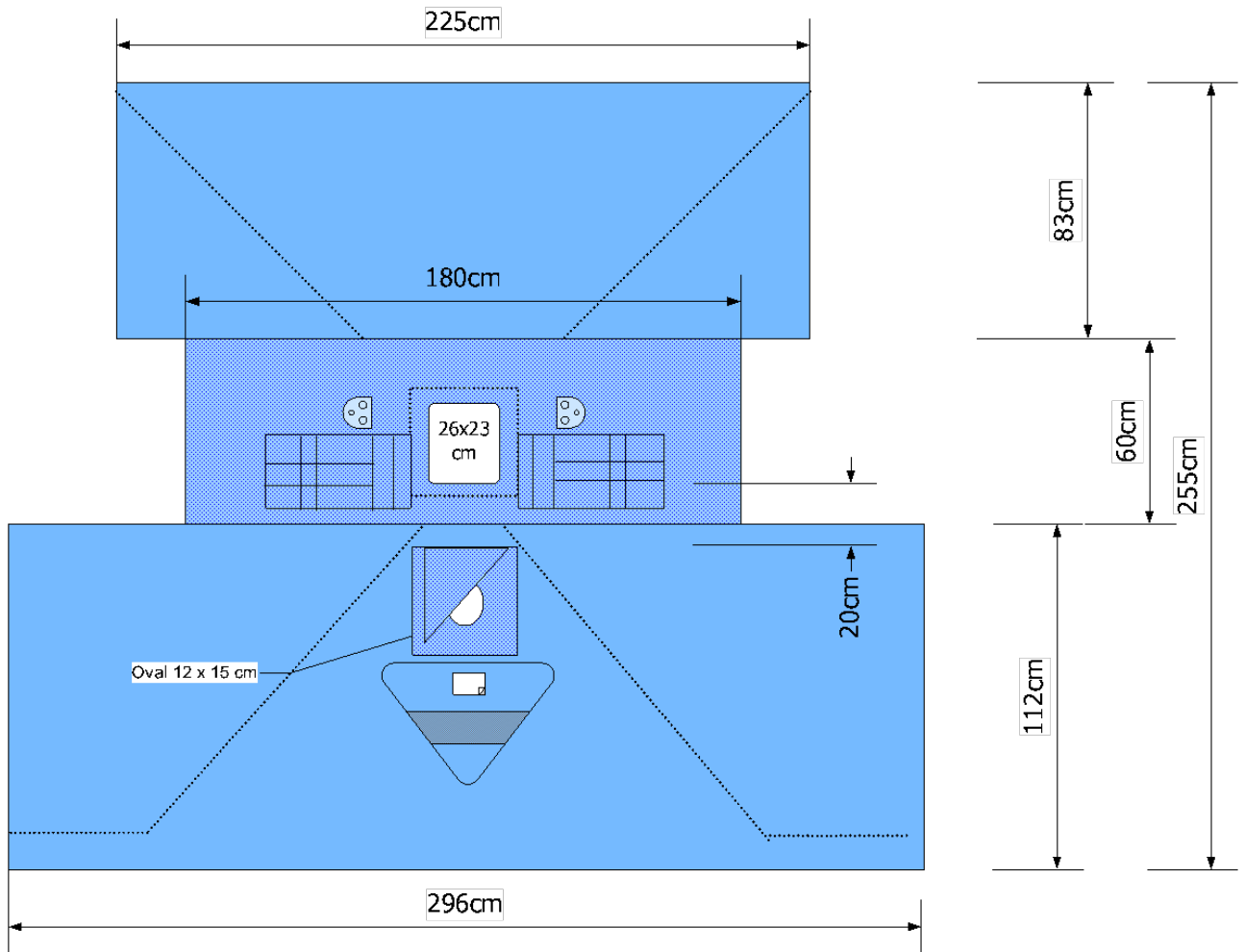
Laparotomy fenestration 35 x 30cm with incision film

Gynaecology fenestration oval 12 x 15 cm, with cover

Fluid collection pouch, 2 tube holders

2 fluid collection pouches next to the laparotomy fenestration

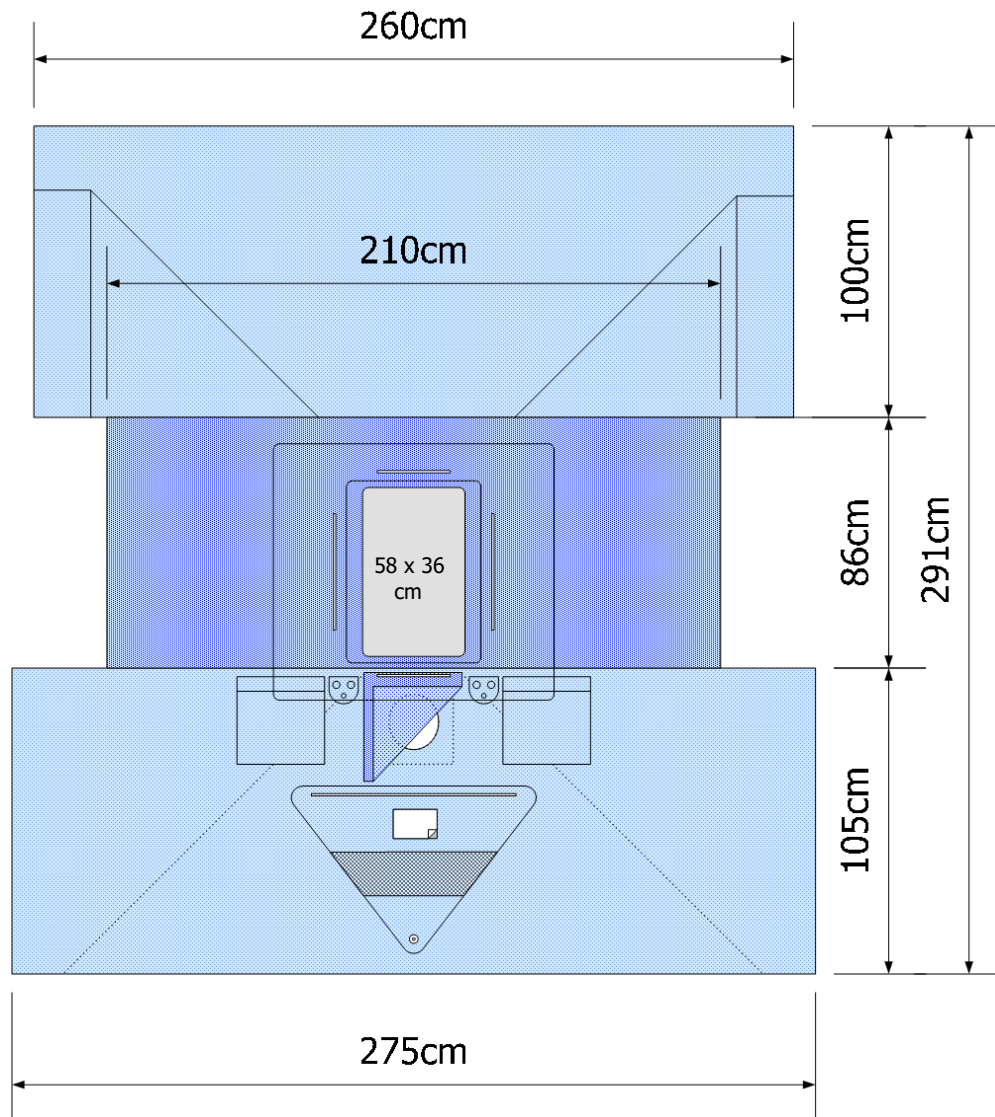
6.3.3 Gyn/lap drape 255 x 296/180/225 cm with fenestration 26 x 23 cm



● 3-ply ● 2-ply

Material	Dimensions	Reference number	Ordernumber sterile
2/ 3-ply material	255 x 296/180/225cm	1303099	108165AA
Laparotomy fenestration 26 x 23cm			
Gynaecology fenestration oval 12 x 15cm with cover			
2 x Tube holders			
Fluid collection pouch with filter			
2x Diathermy pouches extra long			

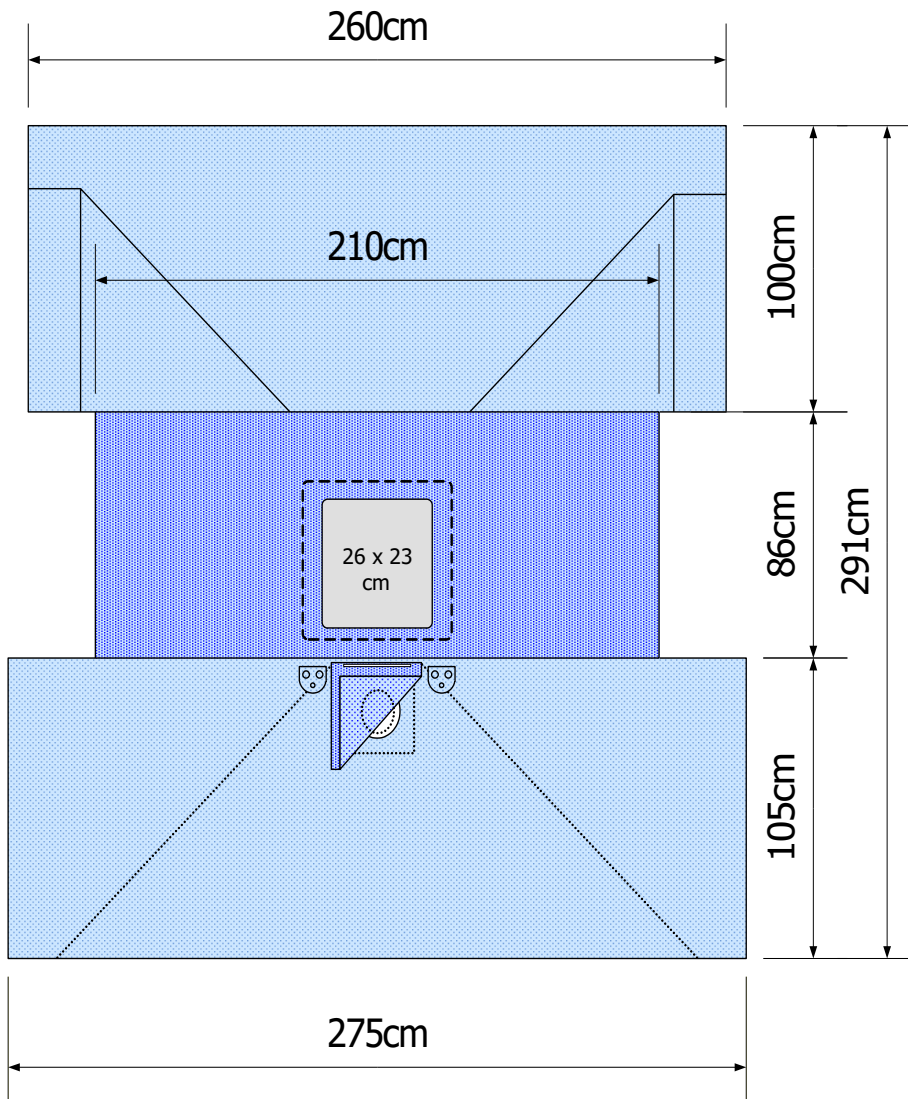
6.3.4 Gyn/lap (HIPEC- drape) 291x275/210/260cm with fenestration 58 x 36cm



● 3-ply
 ● 2-ply
 ● Incision film

Material	Dimensions	Reference number	Ordernumber sterile
2/3-ply	291 x 275/210/260cm	1302182	103502AA
Laparotomy fenestration 58 x 36cm with full incision film			
Gynaecology fenestration oval 19 x 17cm with cover			
Fluid collection pouch			
2 x Diathermy pouches 30 x 30cm			

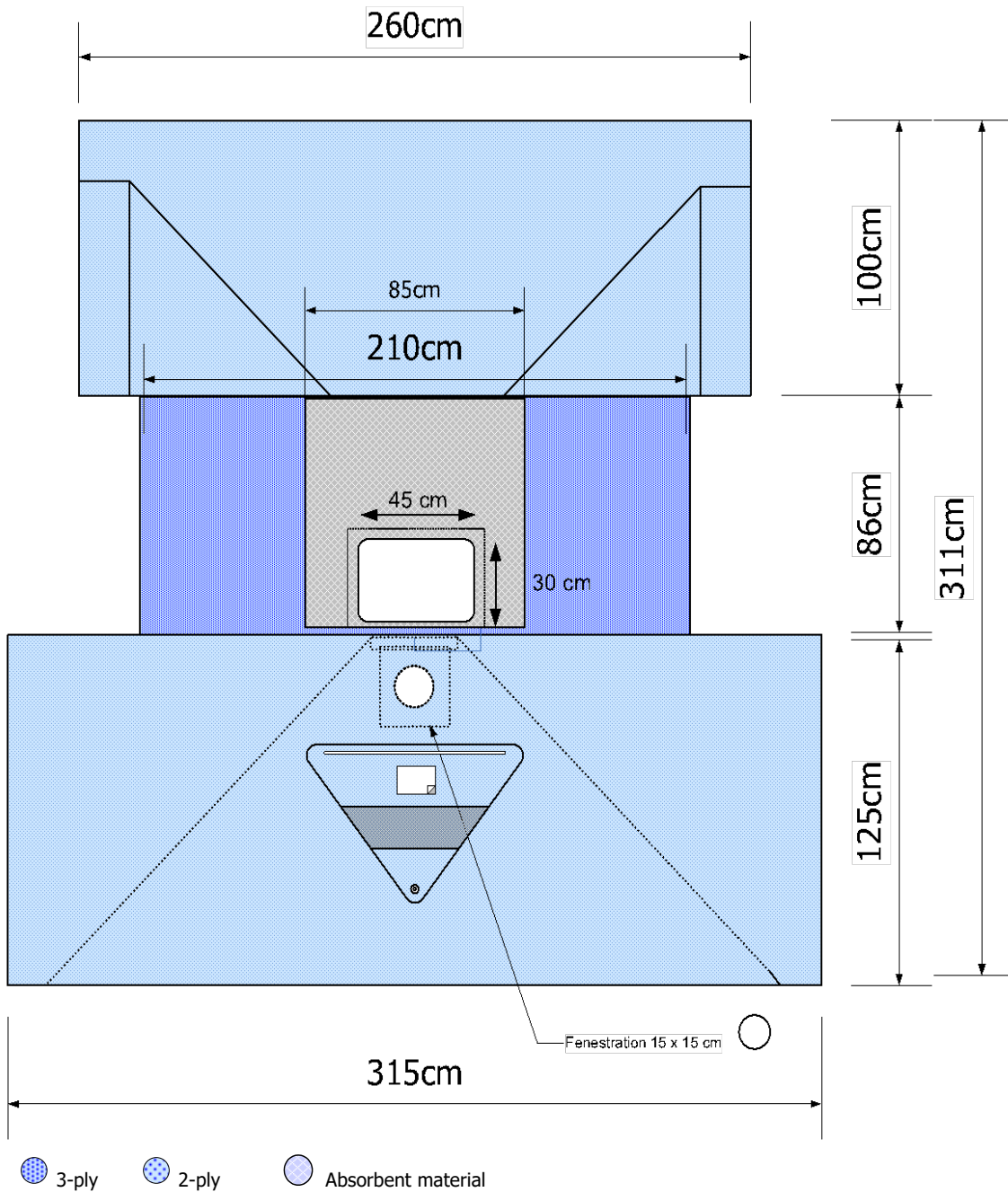
6.3.5 Gyn/Lap drape, 291 x 275cm, with fenestration 26 x 23 cm with incision film



● 3-ply ● 2-ply ○ Incision film

Material	Dimensions	Reference number	Ordernumber sterile
2/3-ply	291 x 275/210/260 cm	<u>1303164</u>	108415AA
Laparotomy fenestration 26 x 23cm with full incision film			
Gynaecology fenestration oval 19 x 17cm with cover			
(HIPEC drape 1302182 without pouches en with smaller fenestration)			

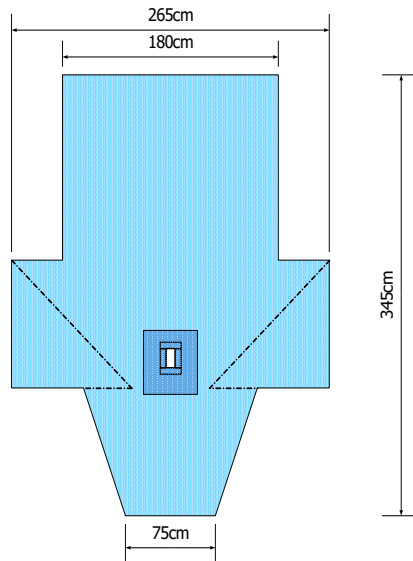
6.3.6 Gyn/lap drape(ROBOT), 311 x 315/210/260cm with fenestration 30 x 45cm



Material	Dimensions	Reference number	Ordernumber sterile
2/3-ply	311 x 315/210/260cm	1302906	107307AA
Laparotomy fenestration 30 x 45cm			
Gynaecology fenestration Ø15cm			
Fluid pouch			

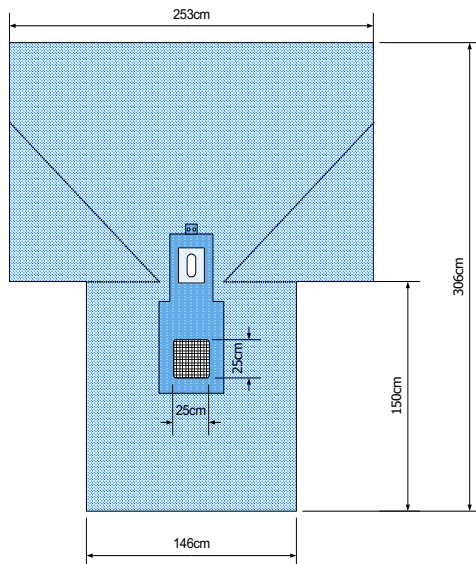
6.4 Gynaecology - Urology drapes

6.4.1 Gyn-Uro drape , SMS, 345 x 75/265/180cm



● SMS ● PSB3030

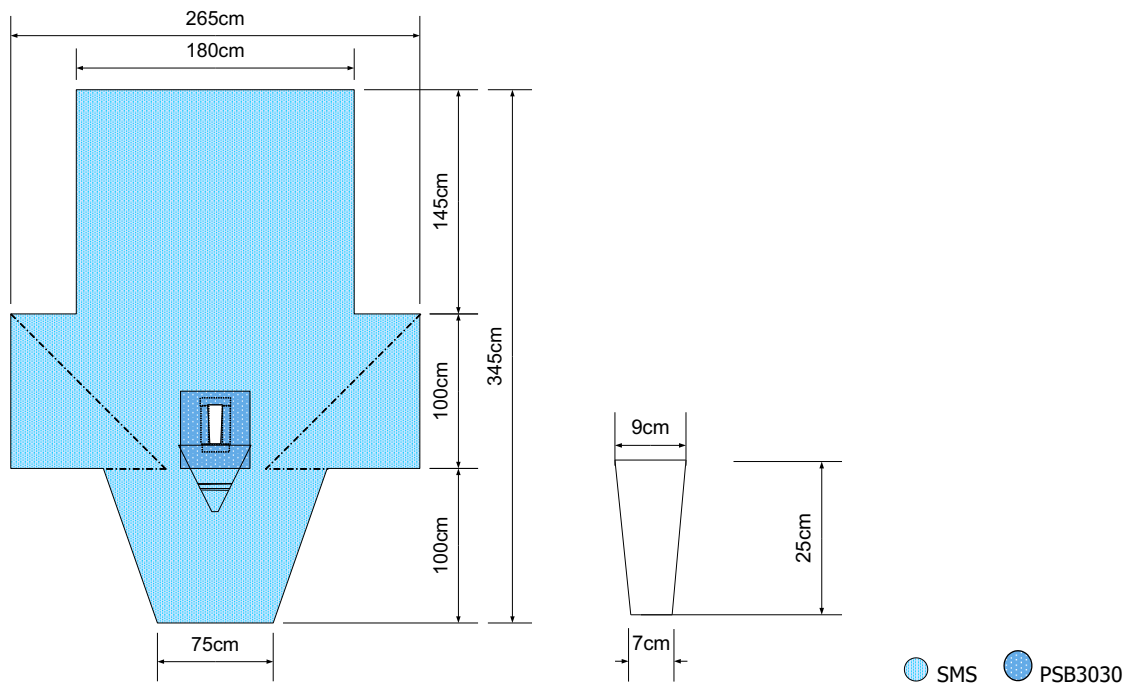
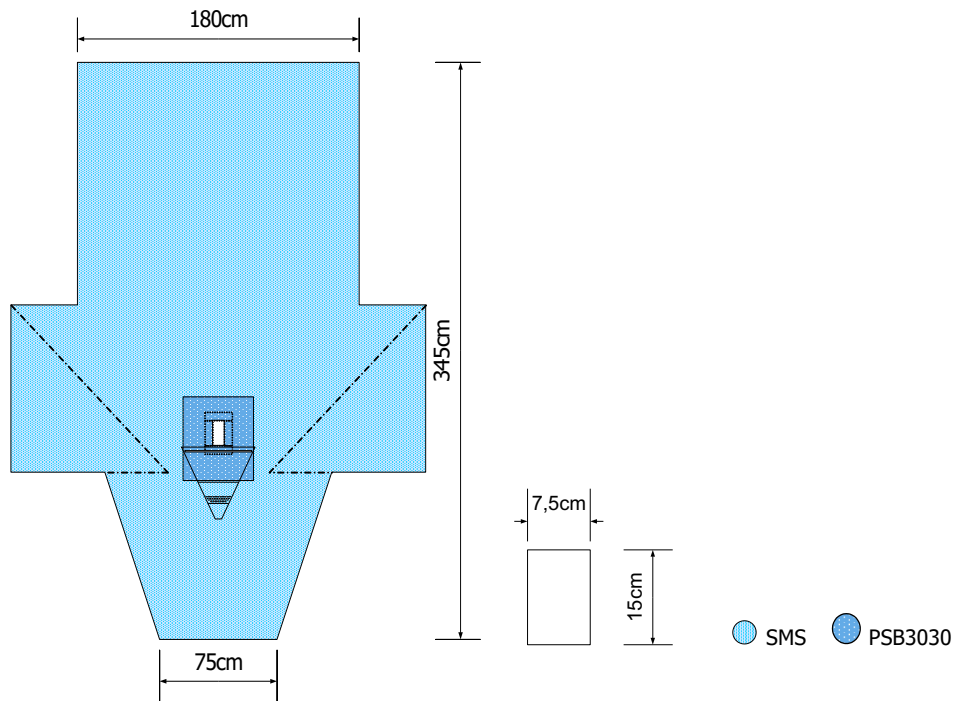
Material	Dimensions	Fenestration	Reference number	Ordernumber sterile
SMS	345 x 75/265/180cm	15 x 7,5cm	<u>1301932</u>	106239AA
Reinforced absorbent pad 50 x 45cm				
Tape around fenestration				



● Prestico® ● PSB3030 absorption

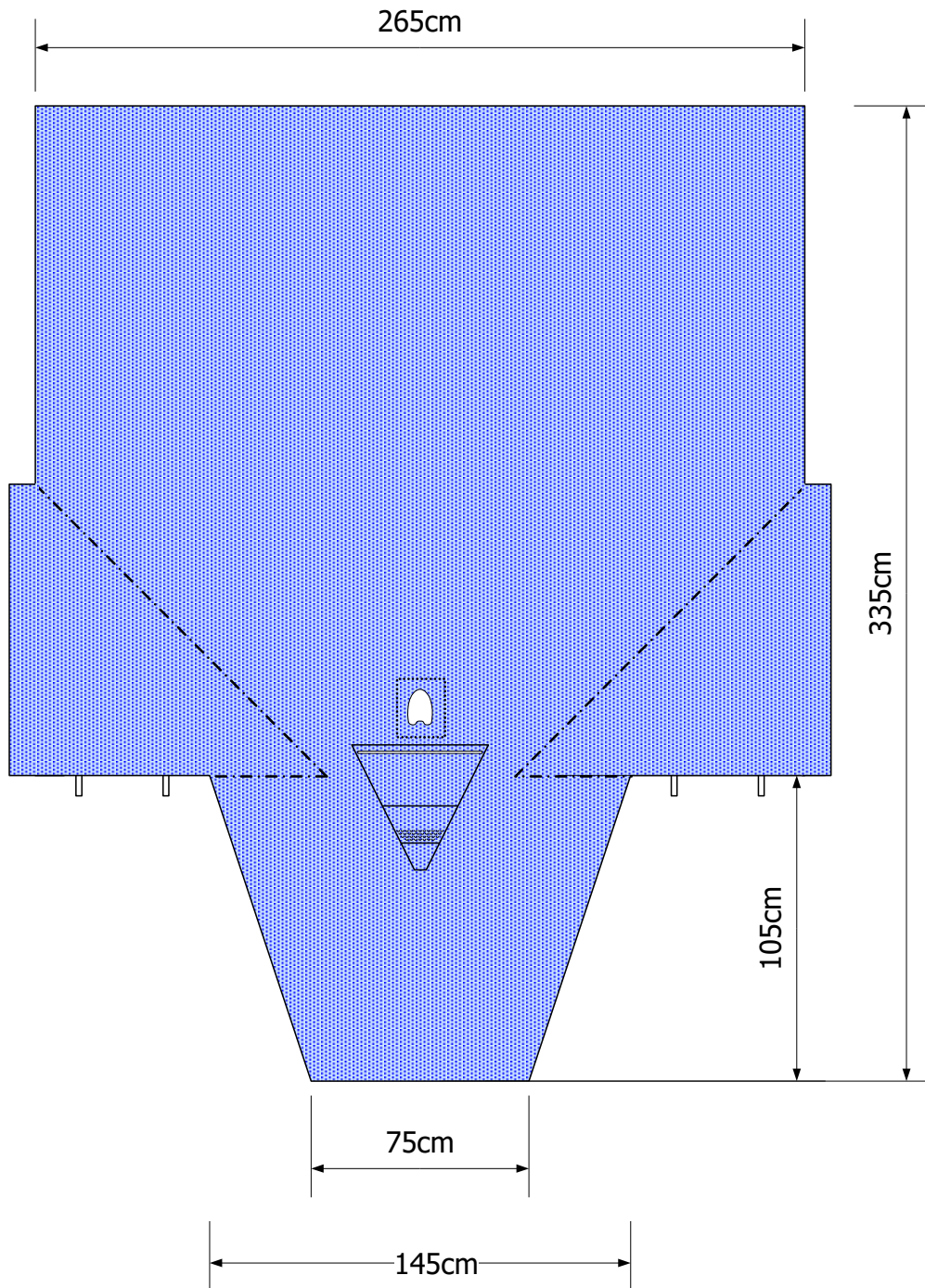
Material	Dimensions	Fenestration	Reference number	Ordernumber sterile
Prestico	306 x 146/253cm	15 x 6cm	1302633	TBD
Reinforced absorbent pad 104 x 30cm + tube holder				
Sieve (tulle) 25 x 25cm				

6.4.2 Gyn-Uro drape, SMS, 345 x 75/265/180cm with fluid collection pouch



Material	Dimensions	Fenestration	Reference number	Ordernumber sterile
SMS	345 x 75/265/180cm	15 x 7,5cm, tape	1302746	106850AA
SMS	345 x 75/265/180cm	25 x (9-7)cm, tape	1303760	111327AA
Reinforced absorbent pad 50 x 45cm				
Tape around fenestration				
With fluid collection pouch				

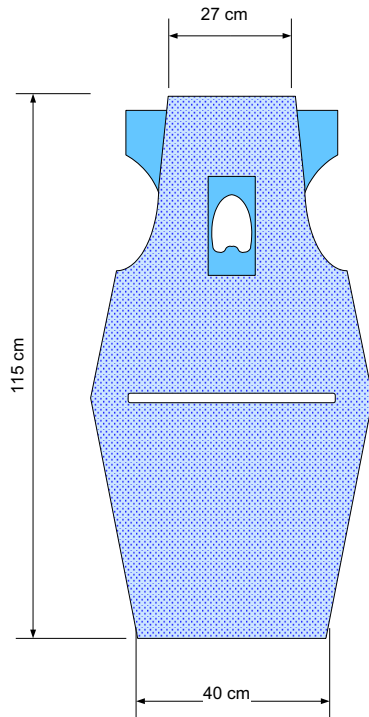
6.4.3 Gyn-Uro drape, 3-ply, 335 x 75/265cm, with fluid pouch



 3-ply

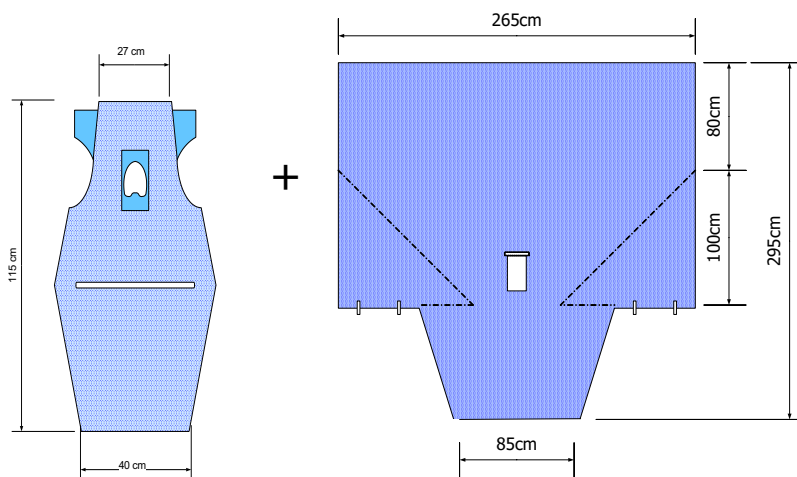
Material	Dimensions	Reference number	Ordernumber sterile
3-ply	335 x 75/265cm	<u>1302658</u>	106550AA
Fenestration, heart shape, 17 x 12cm			
Fluid collection pouch with filter			
Leg cover with 4 pieces of tape			

6.4.4 Gyn-Uro drape, 2-ply material



● 2-ply ● PE Film

Material	Dimensions	Fenestration	Reference number	Ordernumber sterile
2-ply material	115 x 60cm	Heart shape 30 x 20cm	1302128	104538AA
With fluid collection pouch				



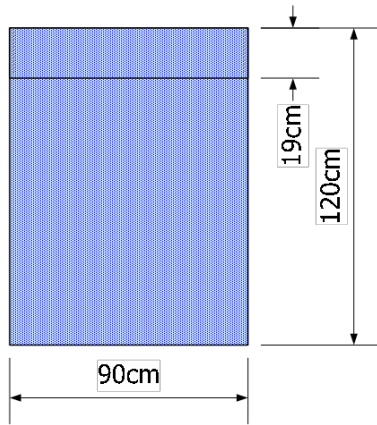
**Possibility full draping
2-ply
1302128 + 1302127**

**Ordernumber sterile
106072AA**

Material	Dimensions	Fenestration	Reference number	Ordernumber sterile
2-ply	115 x 60cm	Heart shape 30 x 20cm	1302128	Together 106072AA
2-ply	295 x 265cm	26 x 14cm	1302127	

6.5 Under buttocks drapes

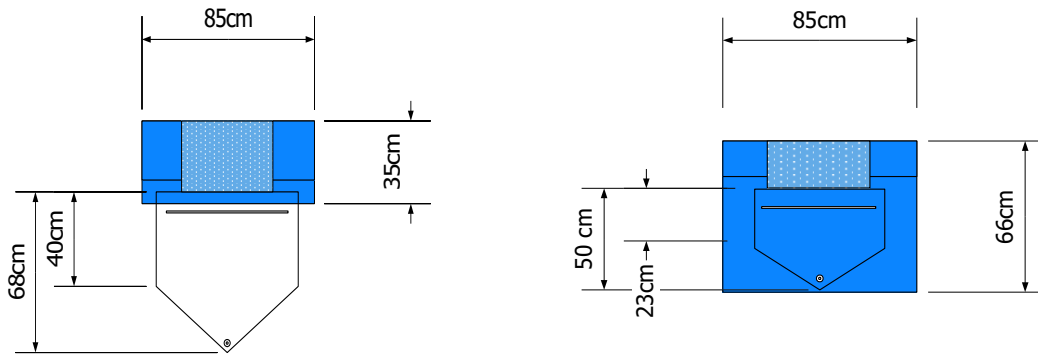
6.5.1 Under buttocks drape 120 x 90 cm



● 3-ply

Material	Dimensions	Reference number	Ordernumber sterile
3-ply	120 x 90 cm	1301924	106225AA

6.5.2 Under buttocks drape, 35 x 85 cm, PE film with fluid collection pouch

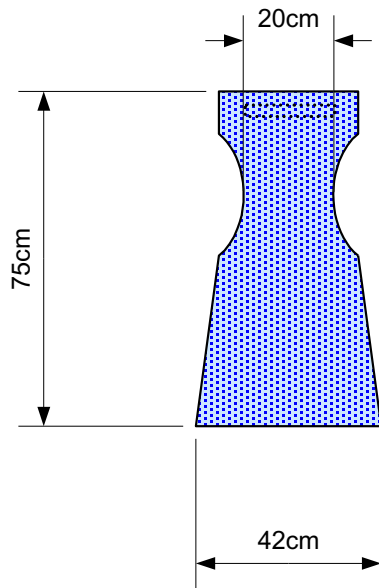



● PE/blue ● PSB3030

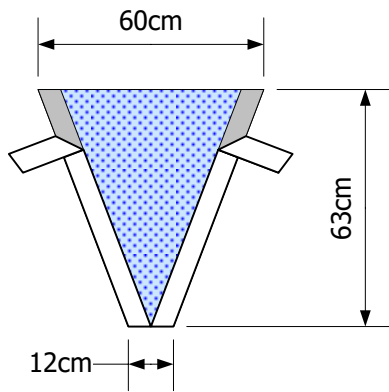
Material	Dimensions	Reference number	Ordernumber sterile
PE/blue	35 x 85 cm	1302650	106498AA
PE/blue	66 x 85 cm	1303971	114314AA
Absorbent pad + fluid collection pouch			


6.6 Perineal drapes

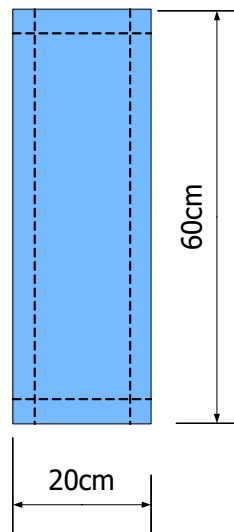
6.6.1 Perineal drape




 3-ply material



 3-ply material

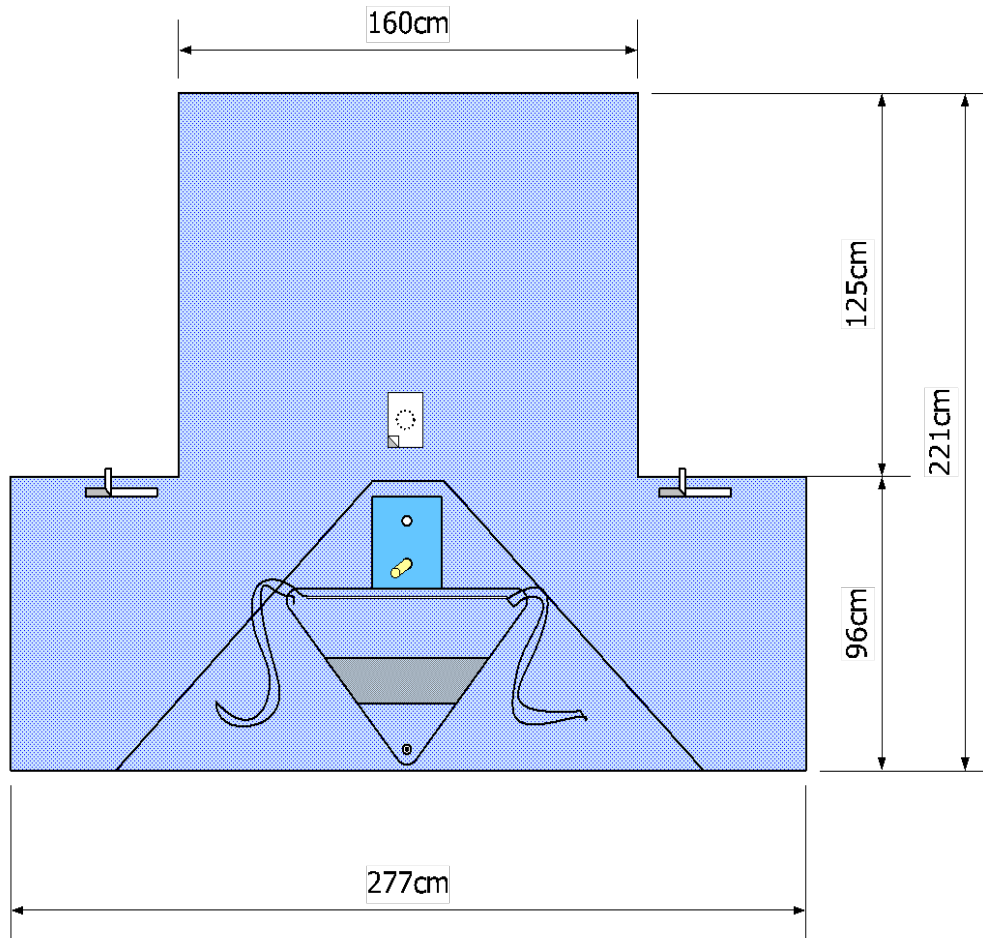


 3-ply material

Material	Dimensions	Reference number	Ordernumber sterile
3-ply material	75 x 42cm	<u>1307299</u>	104388AA
3-ply material	63 x 60 x 12cm	1302844	112235AA
3-ply material	60 x 20cm	1303776	111337AA

6.7 T.U.R. drapes

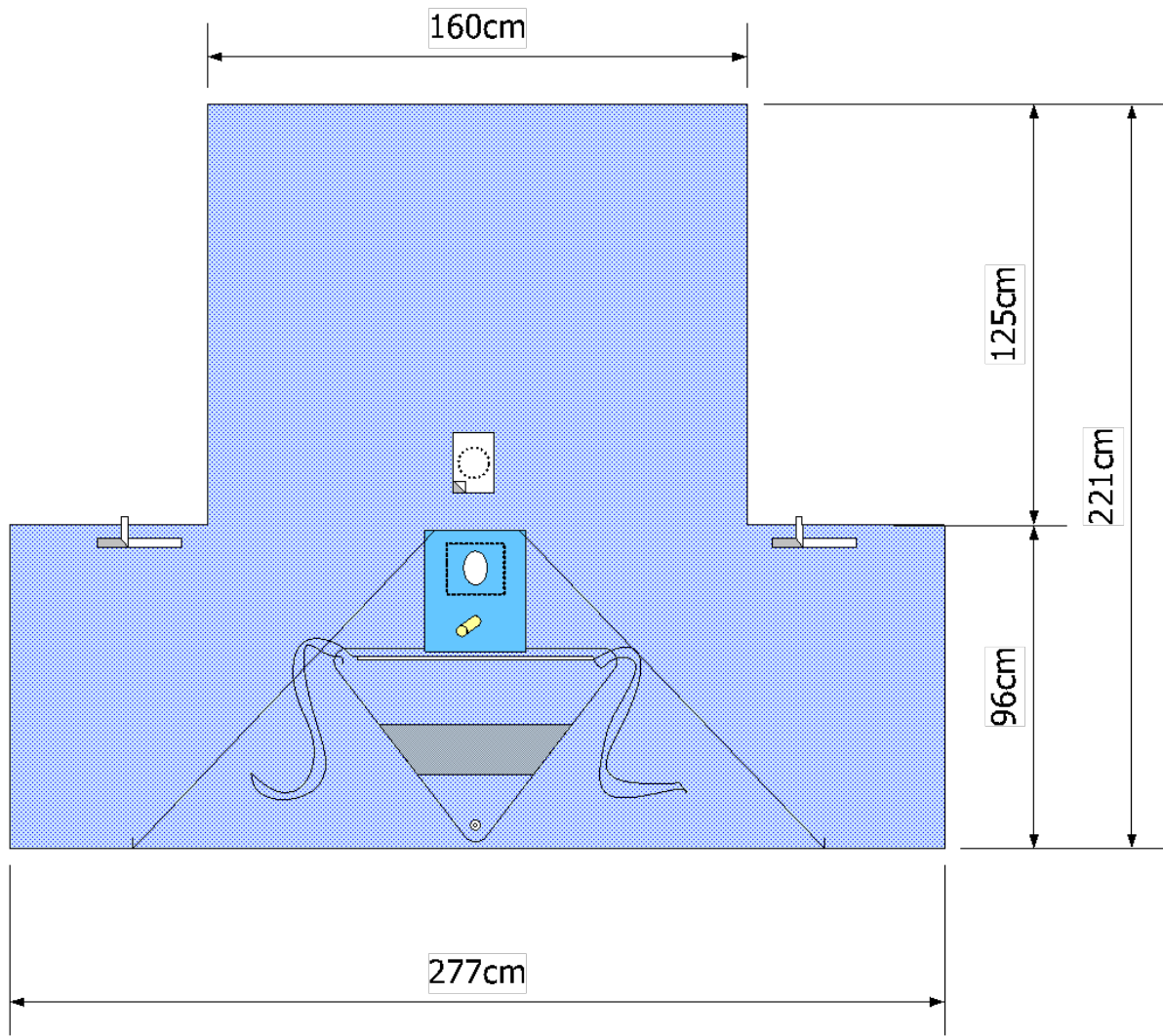
6.7.1 T.U.R. drape, 2-ply, 221 x 277/160cm with fluid pouch



2-ply
 Polyethylene film

Material	Dimensions	Reference number	Ordernumber sterile
2-ply	221 x 277/160cm	<u>1302399</u>	106246AA
Triangle fluid collection pouch with ribbons			
Fenestration Ø7cm with tape 12 x 18 cm			
Fenestration in polyethylene and latex free condom			
Leg covers			

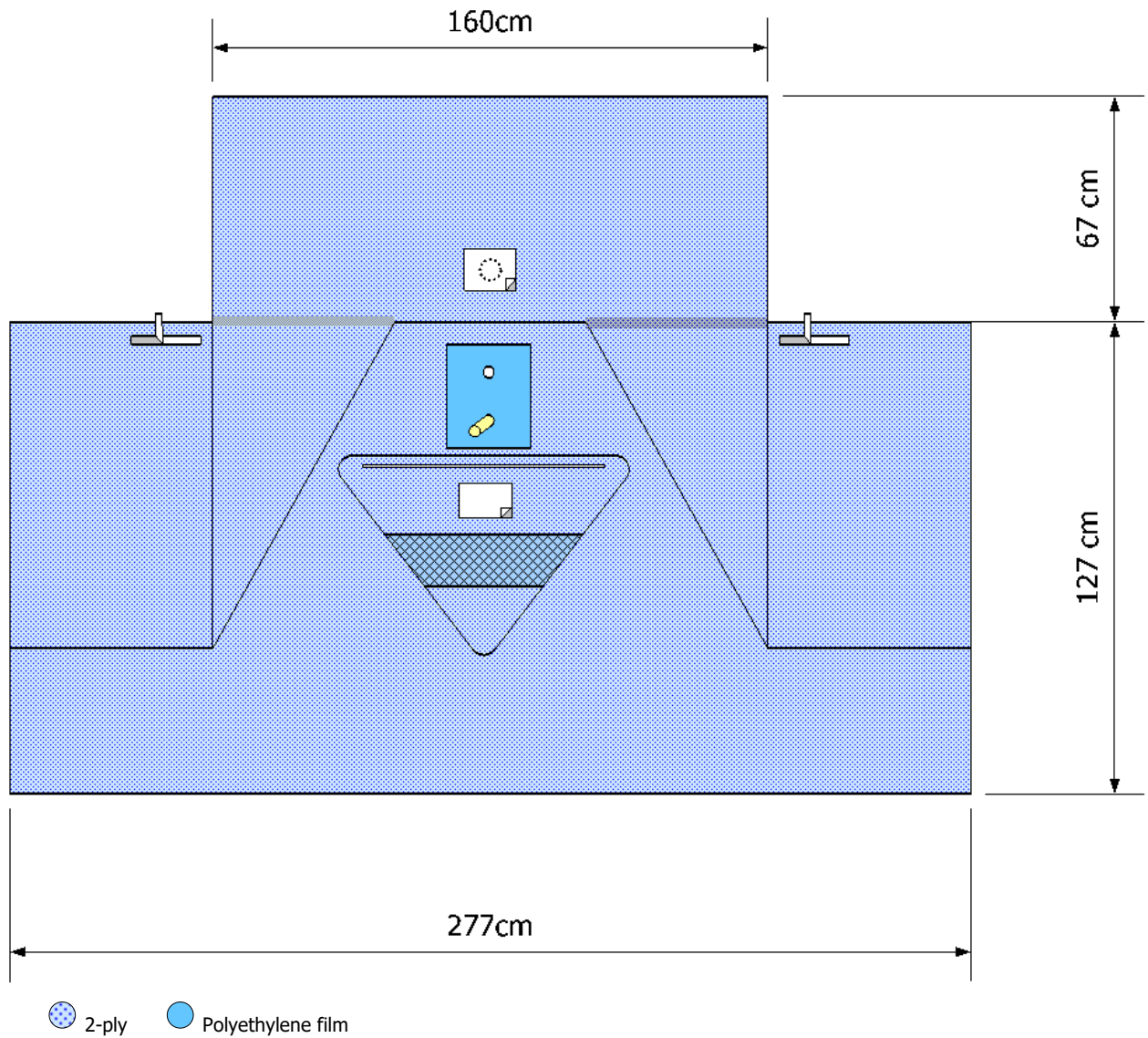
6.7.2 T.U.R. drape, 2-ply, 221 x 277/160cm with fluid pouch



 2-ply
  Polyethylene film

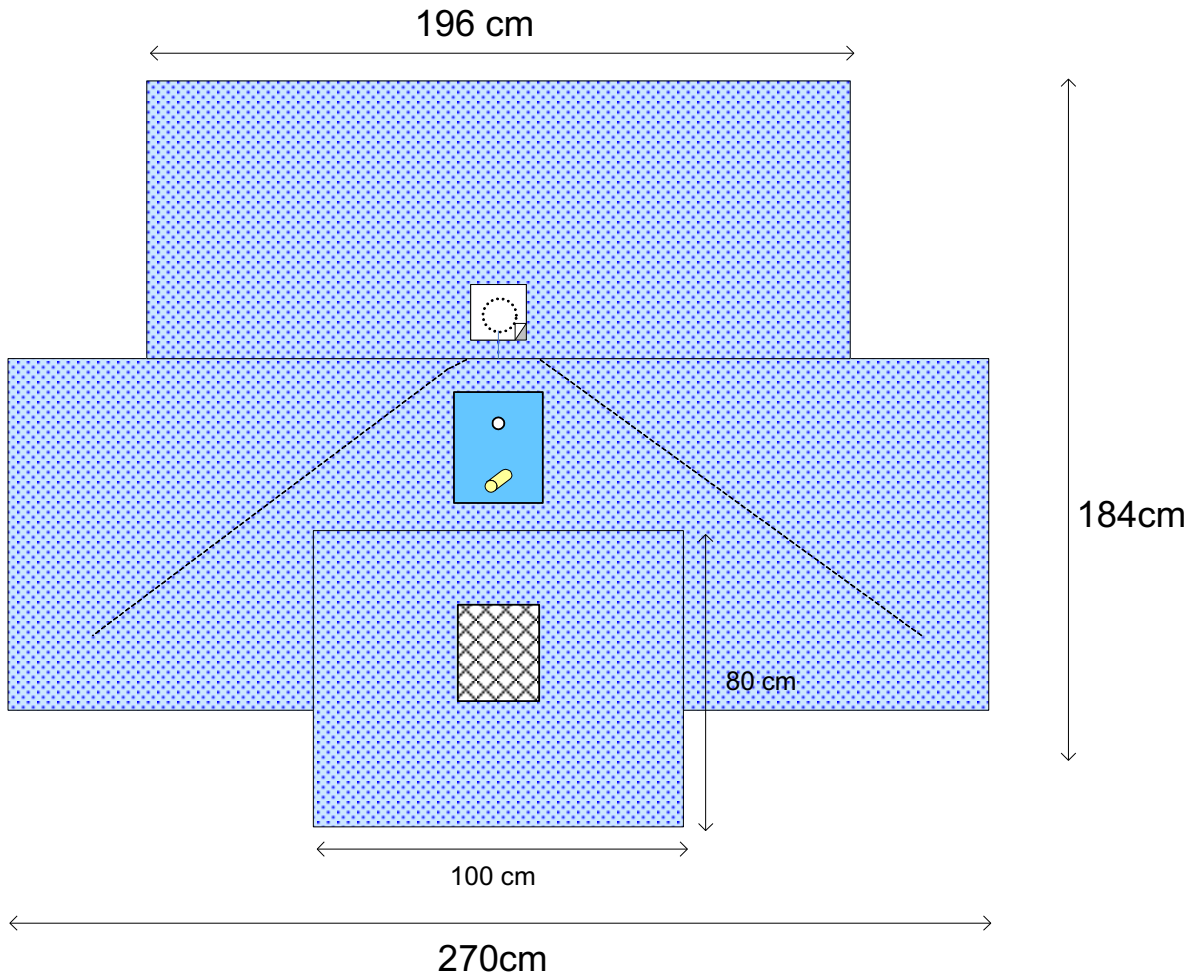
Material	Dimensions	Reference number	Ordernumber sterile
2-ply	221 x 277/160cm	1303688	112296AA
Triangle fluid collection pouch with ribbons			
Supra pubis fenestration Ø8cm with tape 12 x 18cm			
Fenestration in PE (36x30cm) Ø5cm + TAPE and latex free condom			
Leg covers			

6.7.3 T.U.R. drape, 2-ply, 194 x 277/160cm with fluid collection pouch



Material	Dimensions	Reference number	Ordernumber sterile
2-ply	194 x 277/160cm	1302382	105256AA
Fenestration Ø7cm met tape 12 x 18cm			
Fenestration in polyethylene and latex free condom			
Fluid pouch with sieve			
Leg covers			

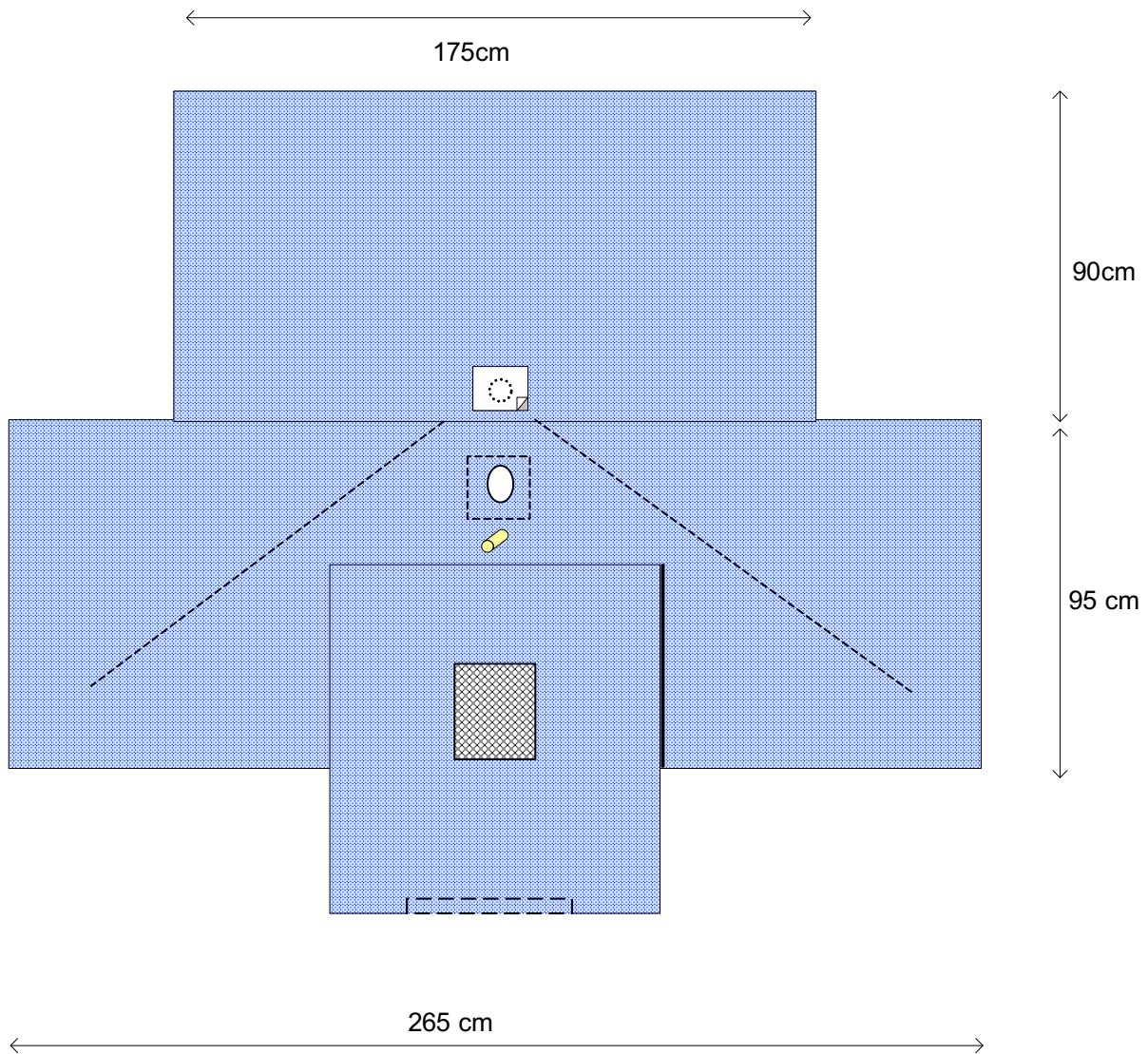
6.7.4 T.U.R drape, 2-ply, 184 x 270/196cm with sieve



 2-ply
  Polyethylene film

Material	Dimensions	Reference number	Ordernumber sterile	Material sieve
2-ply	184 x 270/196cm	<u>1303456</u>	109974AA	Non-woven
2-ply	184 x 270/196cm	1304426	Tbd	Non-woven
2-ply	184 x 270/196cm	1302566	106244AA	TULLE
Sieve 26 x 22 cm				
Fenestration Ø9cm with tape zone 12 x 18cm				
Fenestration in polyethylene Ø5cm and latex free condom				
Leg covers				

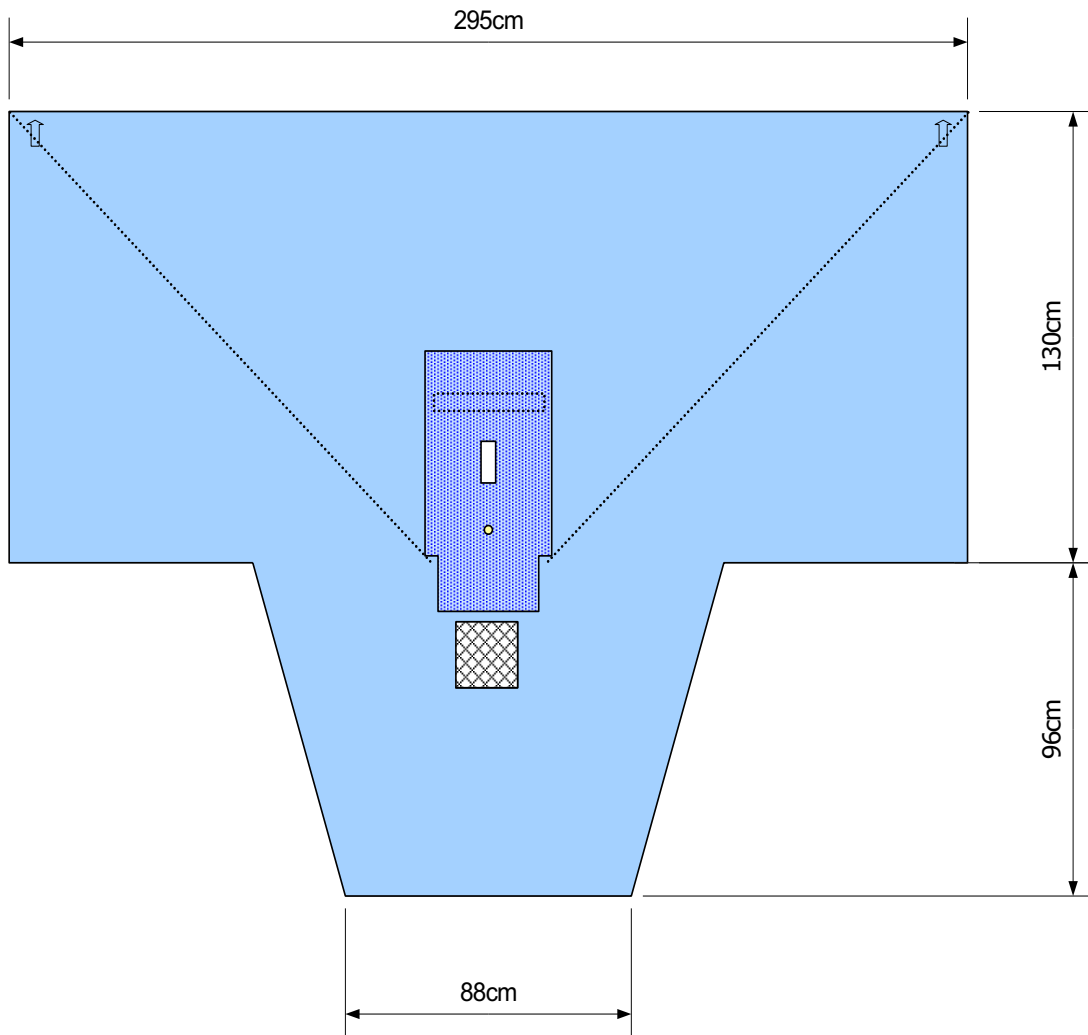
6.7.5 T.U.R drape, 2-ply, 226 x 88/295cm with sieve



2-ply

Material	Dimensions	Reference number	Ordernumber sterile	Material sieve
2-ply	185 x 265/175cm	1304223	114198AA	Non-woven
Sieve 26 x 22 cm				
Oval fenestration 10x7cm with tape				
Supra pub fenestration Ø5cm and latex free condom				
Leg covers				

6.7.6 T.U.R drape, ALWL, 226 x 88/295cm with sieve

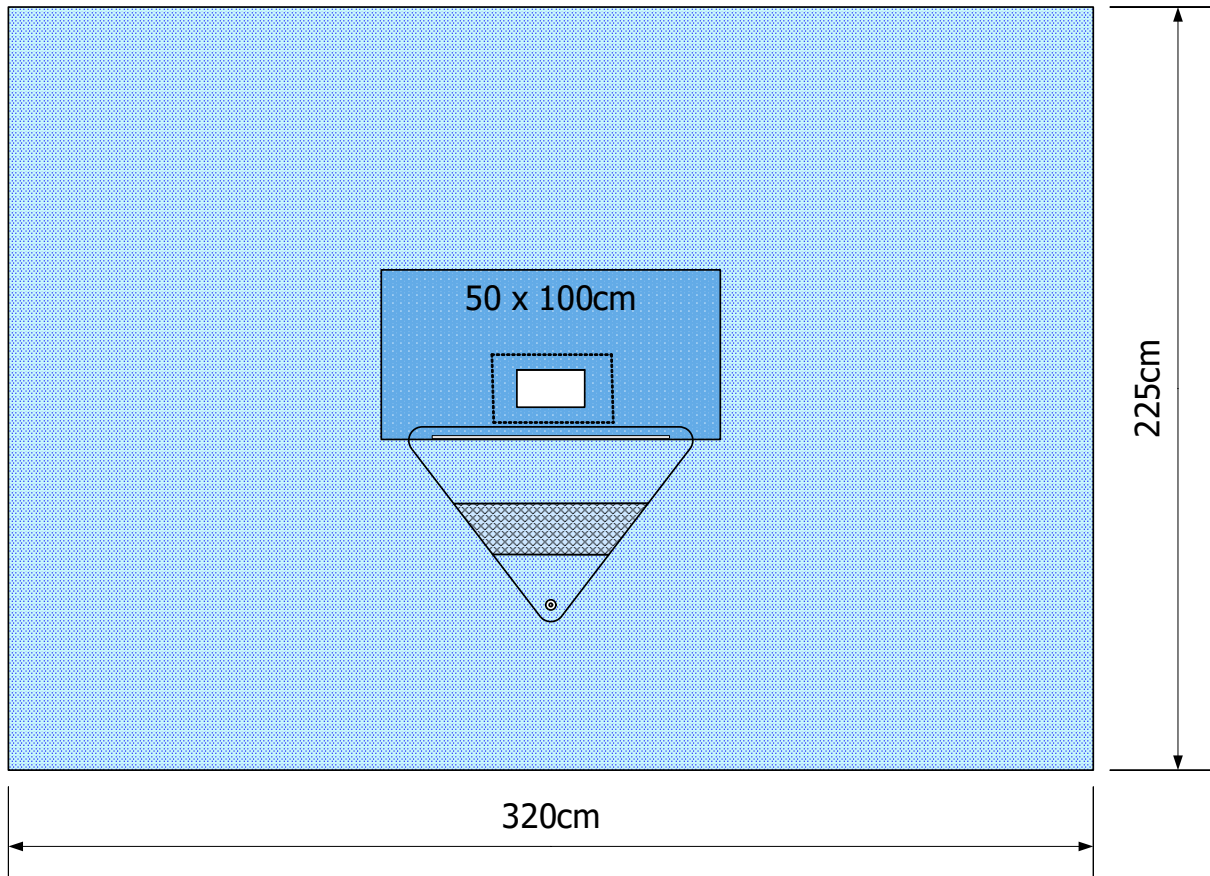


● Airlaid/Wetlaid ● 3-ply absorbent material

Material	Dimensions	Reference number	Ordernumber sterile
ALWL	226 x 88/295cm	1301584	103492AA
3-ply absorbent pad 75 x 39cm			
Fenestration 12 x 4,5cm and latex free finger condom			
Leg covers			
Sieve 19 x 19cm (TULLE)			

6.8 Urology drapes other

6.8.1 Nephroscopy drape



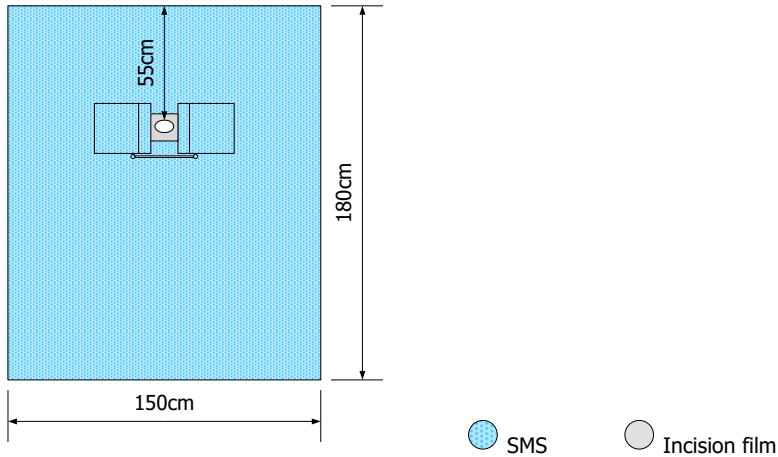
 SMS
  Absorbent material

Material	Dimensions	Reference number	Ordernumber sterile
SMS	225 x 320cm	1302484	106247AA
Fenestration 11 x 20cm with tape (NO incision film)			
Fluid pouch with sieve			
Absorbent pad 50 x 100cm			

7 Ophthalmic surgery

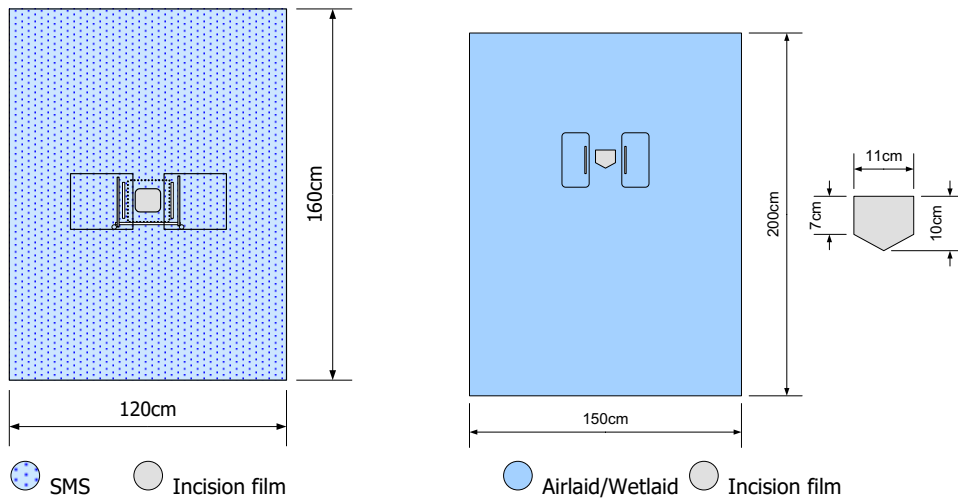
7.1 Eye drapes with 2 fluid pouches

7.1.1 Eye drapes with incision film with oval fenestration



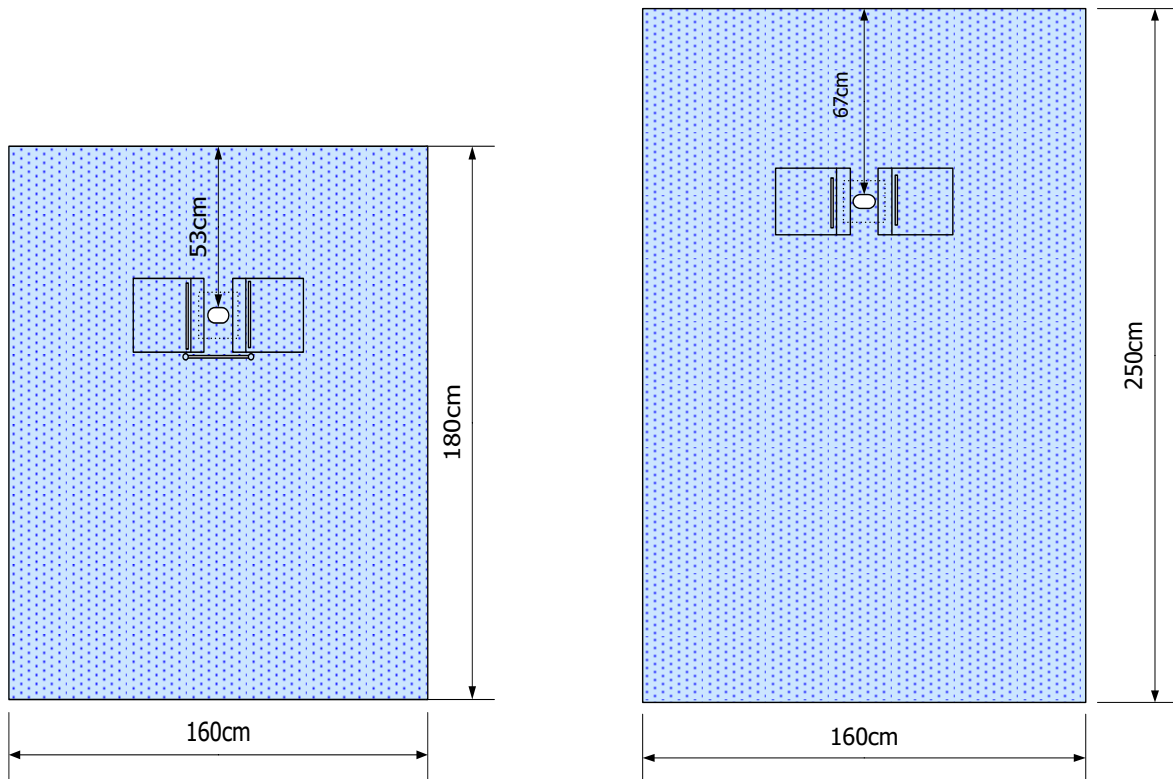
Material	Dimensions	Reference number	Ordernumber sterile
SMS	180 x 150cm	<u>1302235</u>	106248AA
Incision film 13 x 13cm with oval fenestration 6 x 9cm			
2 fluid pouches without flexwires			
Nosebridge (flexwire)			

7.1.2 Eye drape with full incision film



Material	Dimensions	Reference number	Fenestration	Ordernumber sterile
SMS	160 x 120cm	1301725	10 x 11cm	102636AA
ALWL	200 x 150cm	1306950	10 x 11 x 7cm	103646AA
Full incision film				
2 fluid pouches 24 x 27cm with flexwires				
Nosebridge (flexwire)				

7.1.3 Eye drapes without incision film with oval fenestration



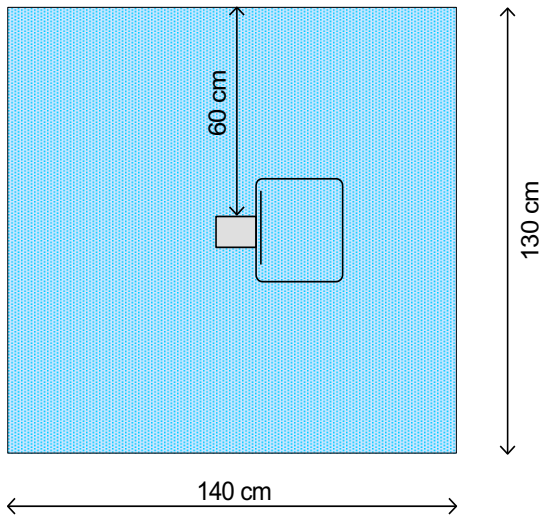
 SMS

 SMS

Material	Dimensions	Reference number	Ordernumber sterile
SMS	180 x 160cm	<u>1301995</u>	104772AA
SMS	250 x 160cm	<u>1301985</u>	110030AA
Oval fenestration 5 x 8cm, tape 15 x 15cm			
2 fluid pouches 24 x 27cm with flexwires			
1301995 with nosebridge (flexwire) 25cm			

7.2 Eye drapes with one fluid collection pouch

7.2.1 Eye drape with incision film with rectangular fenestration



SMS

Incision film

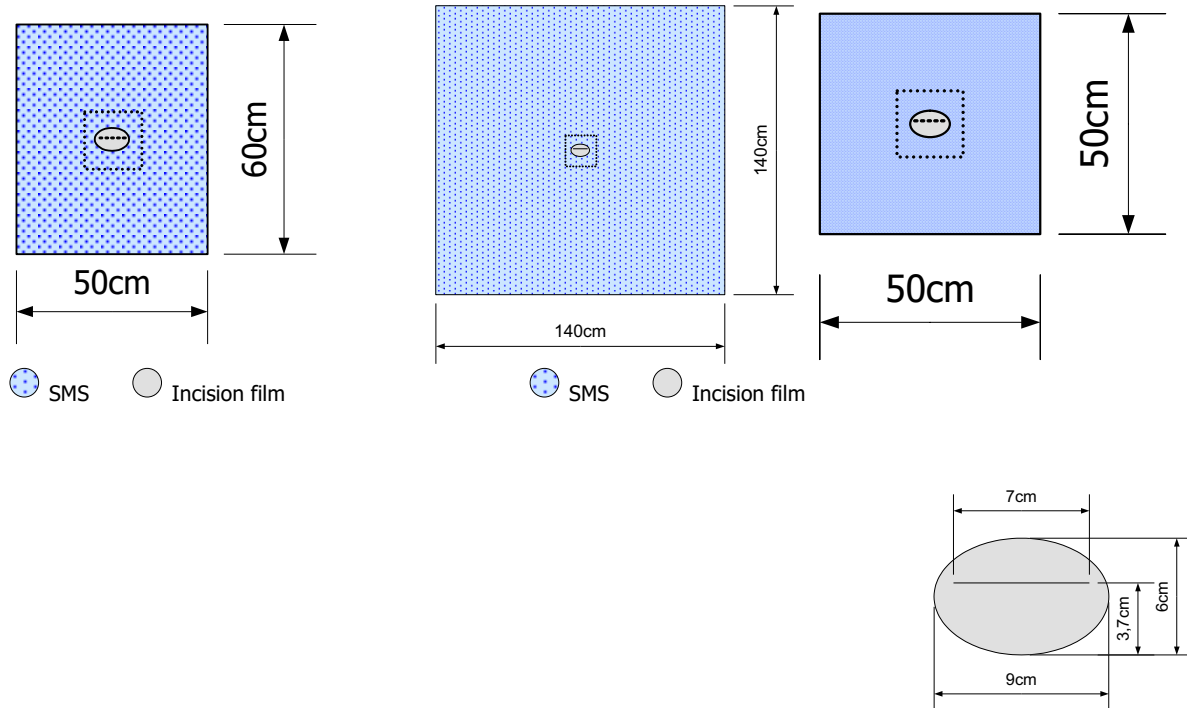
Spunlace

Incision film

Material	Dimensions	Fenestration	Reference number	Ordernumber sterile
SMS	130 x 140cm	9 x 12,5cm	<u>1303107</u>	108255AA
Rectangular fenestration				
1 Fluid collection pouch 30 x 27cm				

7.3 Eye drapes (other) without fluid collection pouch

7.3.1 Eye drape with oval fenestration with cut



Material	Dimensions	Reference number	Ordernumber sterile
2-ply material	60 x 50cm	1307133	108025AA
SMS	140 x 140cm	<u>1304116</u>	108198AA
SMS	50 x 50cm	1304040	tbd
Oval fenestration 6 x 9cm			
Incision film with cut 7cm			

7.3.2 Fenestration drapes other also to be used for eye surgery

1301993, Fenestration drape, SMS, 160 x 120cm, oval fenestration 6 x 9cm, no incision film (see page 36)

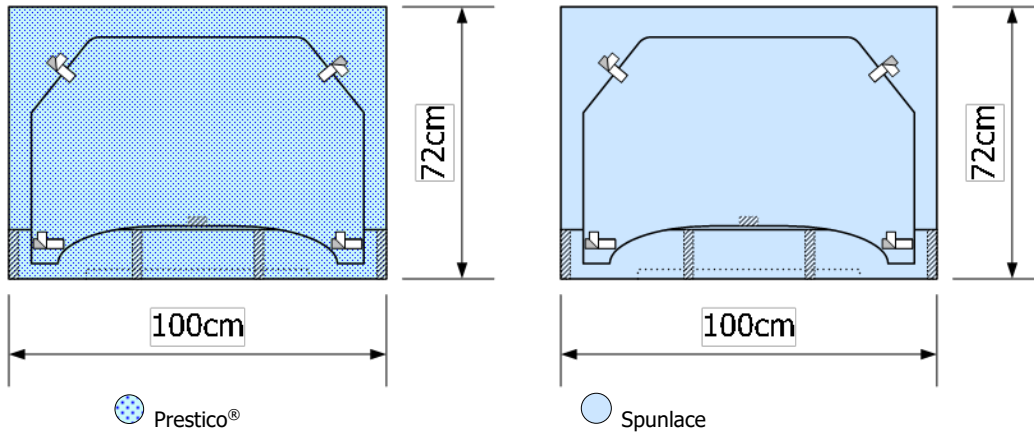
1302124, Fenestration drape, SMS, 80 x 80cm, square fenestration 10 x 10cm, with incision film (see page 37)

1307241, Fenestration drape, 3-ply, 140 x 100cm, oval fenestration 5 x 7cm, no incision film (see page 39)

8. ENT (Ear-Nose-Throat)

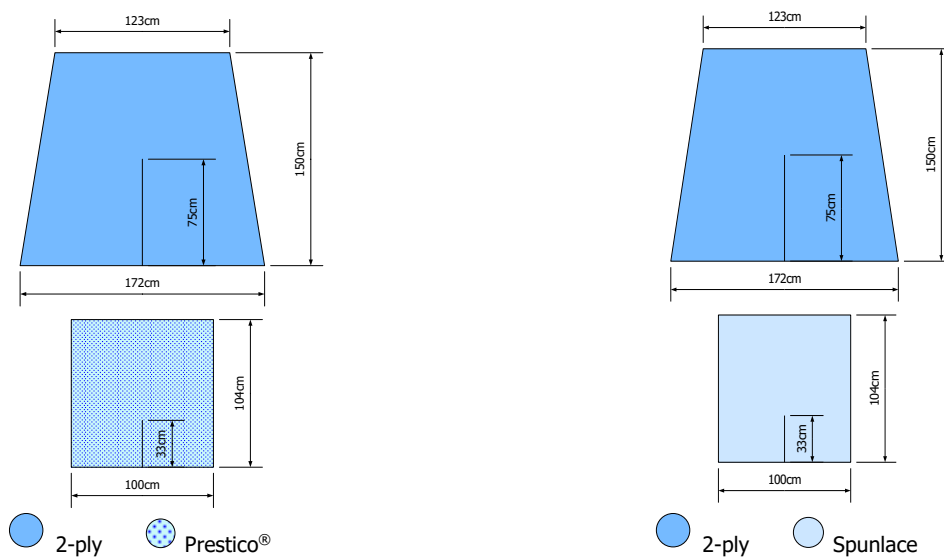
8.1 Head drapes

8.1.1 Head drape



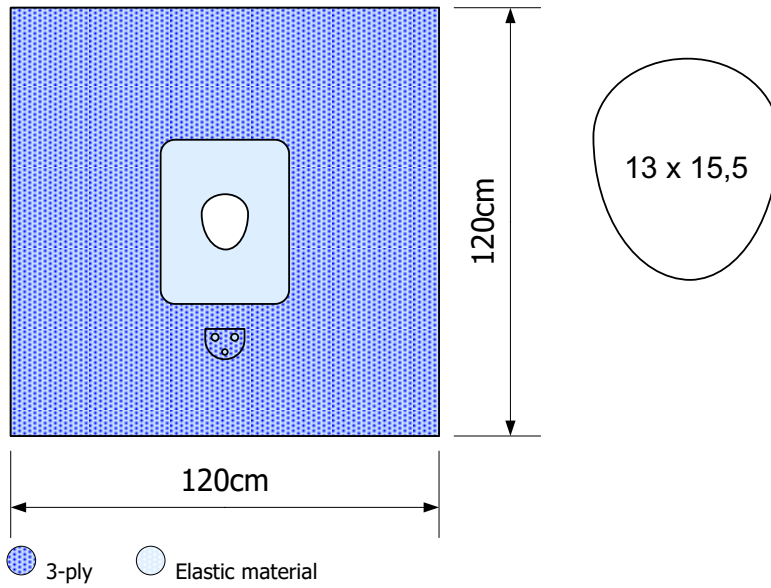
Material	Dimensions	Reference number	Ordernumber sterile
Prestico®	72 x 100cm	1302480	106252AA
Spunlace	72 x 100cm	<u>1306965</u>	103679AA
Tape 2,5cm			

8.1.2 Head drape 2 pieces



Material	Dimensions	Reference number	Ordernumber sterile
2-ply/ Prestico®	150 x 172cm / 104 x 100cm	1302482	106253AA
2-ply/ Spunlace	150 x 172cm / 104 x 100cm	1302290	105336AA

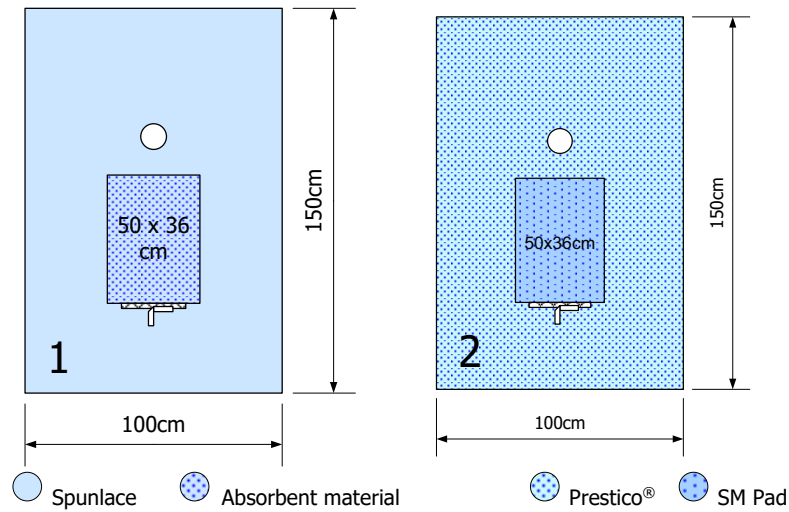
8.2 Facial drapes



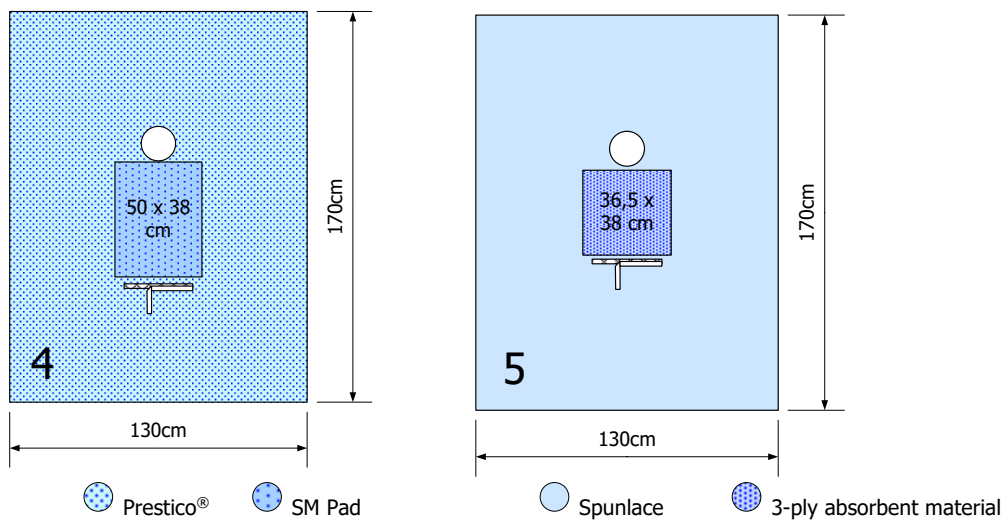
Material	Dimensions	Reference number	Ordernumber sterile
3-ply	120 x 120cm	<u>1301961</u>	117066AA (was 103847AA)

8.3 Dental surgery drapes

8.3.1 Dental surgery drapes with a round fenestration

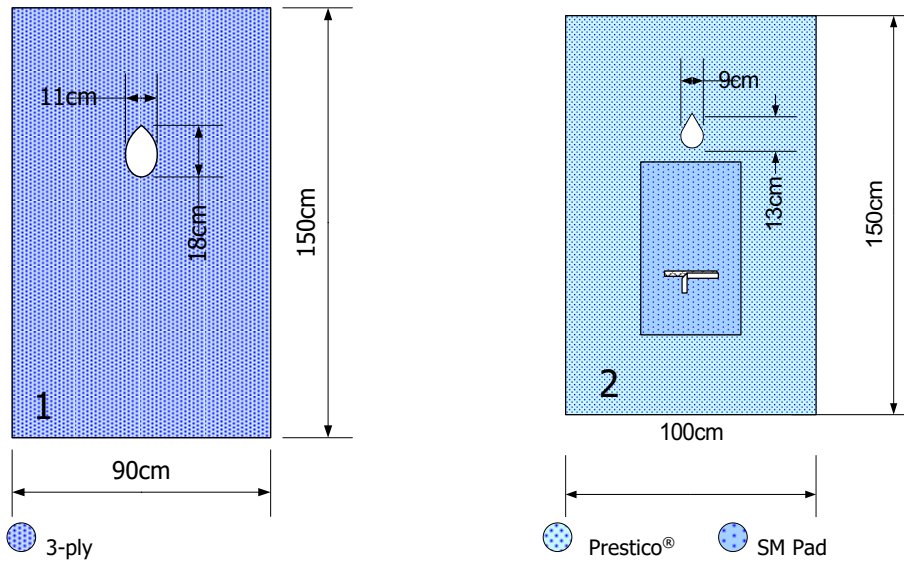


	Material	Dimensions	Fenestration	Reference number	Ordernumber sterile
1	Spunlace	150 x 100cm	Ø 10cm	<u>1301359</u>	103496AA
2	Prestico®	150 x 100cm	Ø 10cm	1302483	106194AA
Fenestration with absorbent pad 50 x 36cm					
Velcro 25 x 2cm					



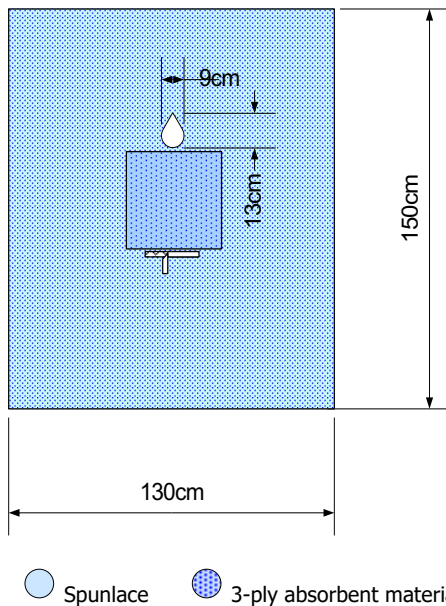
	Material	Dimensions	Fenestration	Reference number	Ordernumber sterile
4	Prestico®	170 x 130cm	Ø 15cm	1302486	106195AA
5	Spunlace	170 x 130cm	Ø 15cm	<u>1301295</u>	103497AA
Fenestration Ø 15cm, absorbent pad 36,5 x 38cm					
Velcro 25 x 2cm					

8.3.2 Dental surgery with drop-shape fenestration



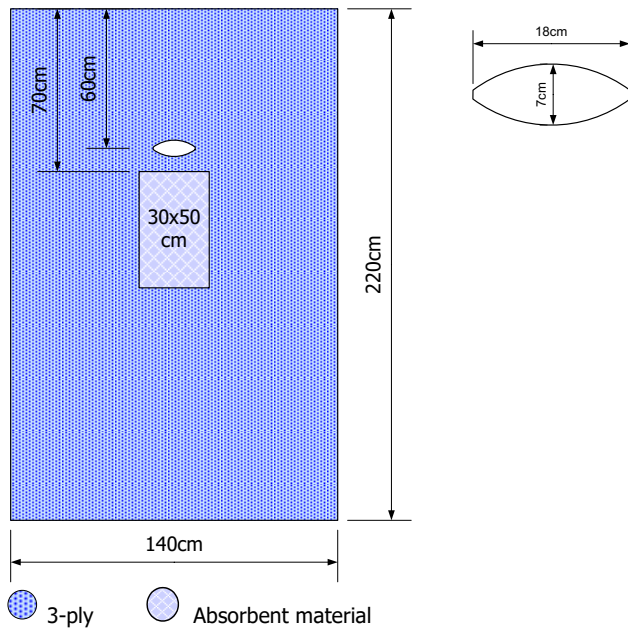
	Material	Dimensions	Reference number	Dimension fenestration	Ordernumber sterile	Ordernumber Non sterile
1	3-ply	150 x 90cm	1302425	18 x 11cm	103647AA	
2*	Prestico®	150 x 100cm	<u>1302776</u>	13 x 9cm	108024AA	06677
2*	Prestico®	150 x 100cm	<u>1304035**</u>	13 x 9cm	tbd	

* with reinforced pad 65 x 40cm + velcro 25 x 2cm
 ** 1304035 is the same as 1302776, but with another folding



Material	Dimensions	Reference number	Ordernumber sterile
Spunlace	150 x 130cm	<u>1302896</u>	107691AA
Drop shape fenestration 13 x 9cm			
Reinforced pad 36,5 x 38cm, velcro 25 x 2cm			

8.3.3 Dental drapes with fenestration divers



Material	Dimensions	Reference number	Ordernumber sterile
3-ply	220 x 140cm	<u>1302299</u>	110246AA
Oval fenestration 7 x 18cm			
Reinforced pad 50 x 30cm			

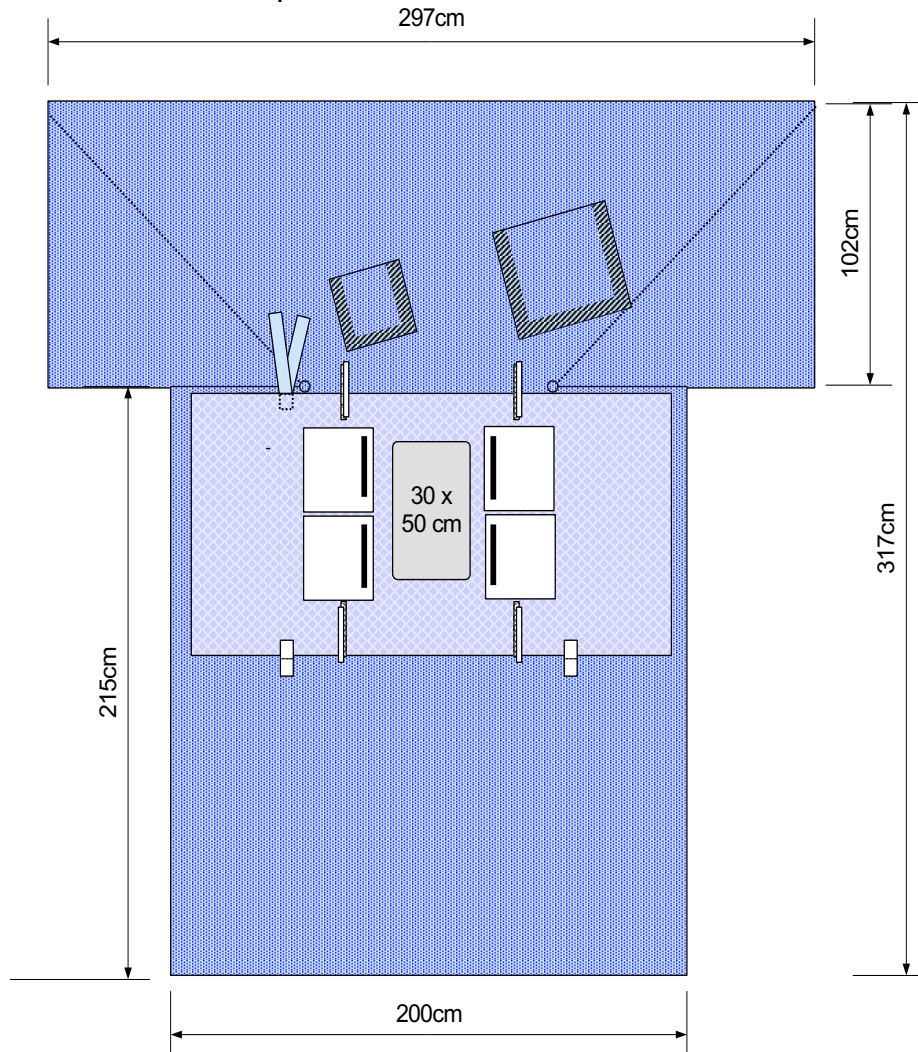
8.3.4. Various drapes also to be used as dental surgery drapes:

1301342, fenestration drape, 3-ply, 150 x 98cm, oval fenestration 7 x 15cm
(see page 39)

1302551, fenestration drape, 3-ply, 150 x 120cm, oval fenestration 7 x 15cm
(see page 39)

9 Cardiovascular surgery

9.1 Cardiovascular drape with fenestration



Combination possible with bilateral u-drape 1302291

Ordernumber sterile 106650AA

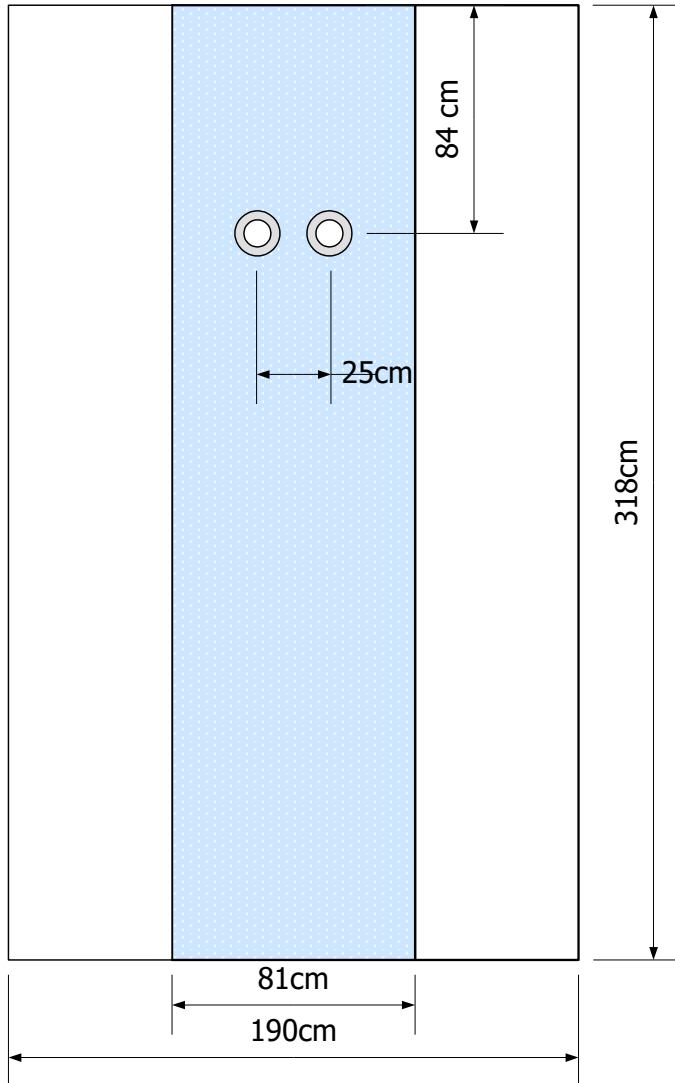
3-ply
 3-ply ultra-absorbent
 Incision film

Material	Dimensions	Reference number	Ordernumber sterile
3-ply material	317 x 200/297cm	1301949	106558AA
Fenestration 50x30cm with incision film			
4 x fluid collection pouch			
2 x extra pouches on the top			
Absorbent pad 93 x 190cm			

10 Angiography

10.1 Femoral Angio drapes

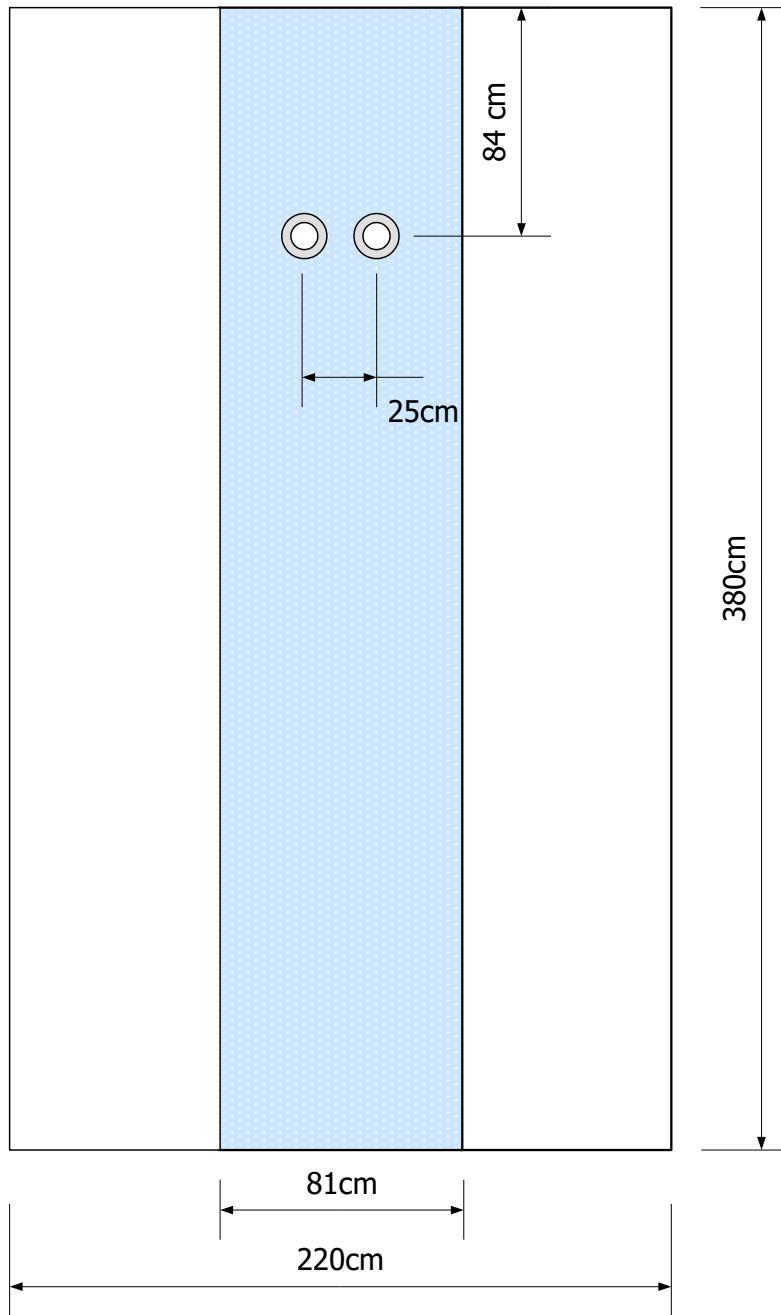
10.1.1 Femoral Angio drapes ultra absorbent, full transparent right and left



Impervious Ultra-Absorbent
 Transparent PE
 Incision film

Material	Dimensions	Reference number	Ordernumber sterile
ULTRA absorbent material + PE/CL	318 x 190cm	<u>1301263</u>	103648AA
Fenestrations Ø 15cm			
Incision film with fenestration Ø 7,5cm			
Transparent PE side panels			

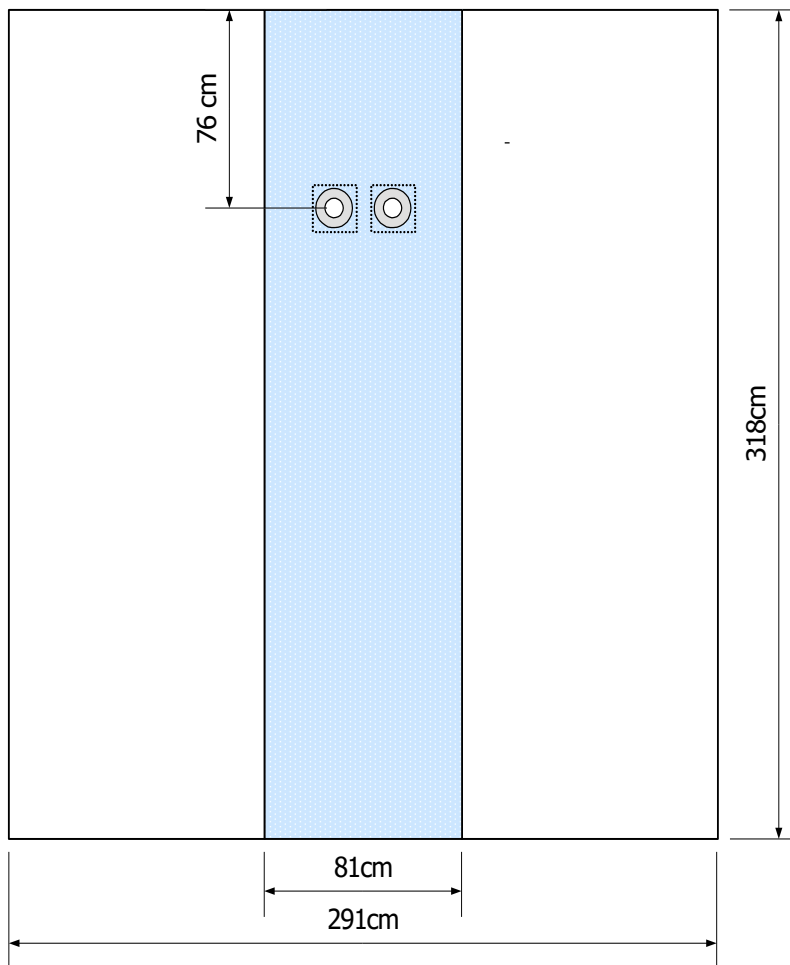
10.1.2 Femoral angio drape ultra absorbent, full transparent right and left (XL)



Impervious ultra-absorbent
 Transparent PE
 Incision film

Material	Dimensions	Reference number	Ordernumber sterile
Ultra absorbent material + PE/CL	380 x 220cm	<u>1301564</u>	103670AA
Fenestrations Ø 15cm			
Incision film with fenestration Ø 9cm			

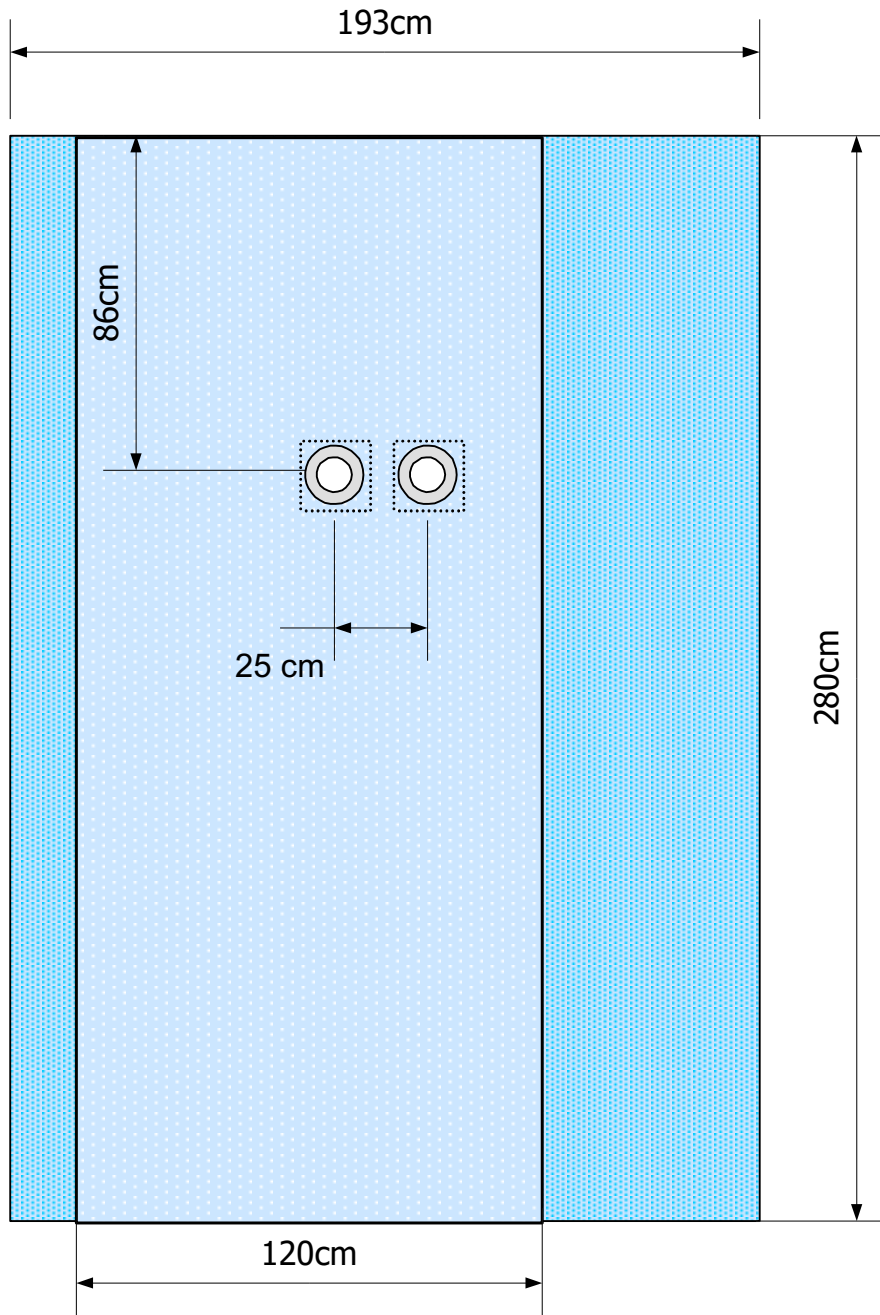
10.1.3 Femoral angio drape ultra absorbent, full transparent right and left



- Impervious ultra-absorbent
- Transparent PE
- Incision film

Material	Dimensions	Reference number	Ordernumber sterile
Ultra absorbent + PE/CL	318 x 291cm	1301547	117058AA (was 103671AA)
Fenestrations Ø 15cm			
Incision film with fenestration Ø 7,5cm			

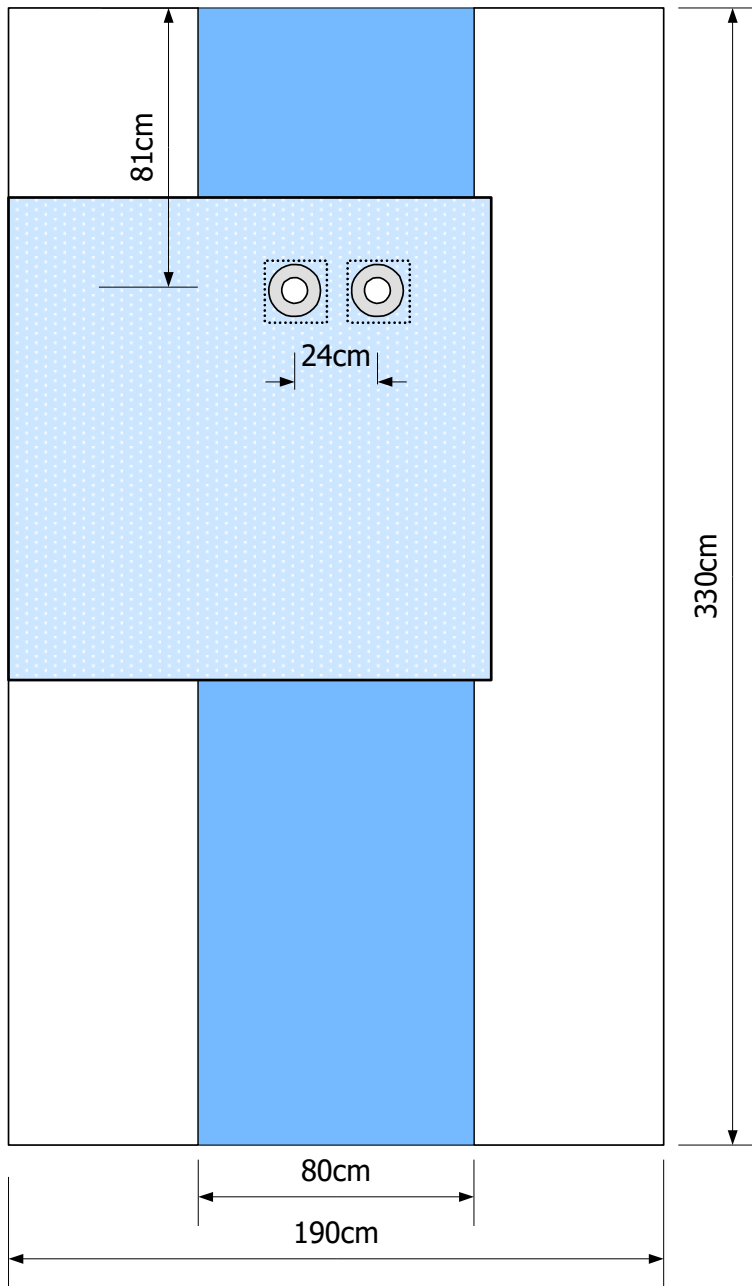
10.1.4 Femoral angio drape ultra absorbent, SMS side panels right and left



- Impervious ultra-absorbent
- SMS
- Incision film

Material	Dimensions	Reference number	Ordernumber sterile
Ultra absorbent + SMS	280 x 193cm	1302215	112297AA
Fenestrations Ø 15cm			
Incision film with fenestration Ø 9cm			
Absorbent pad 120cm wide			

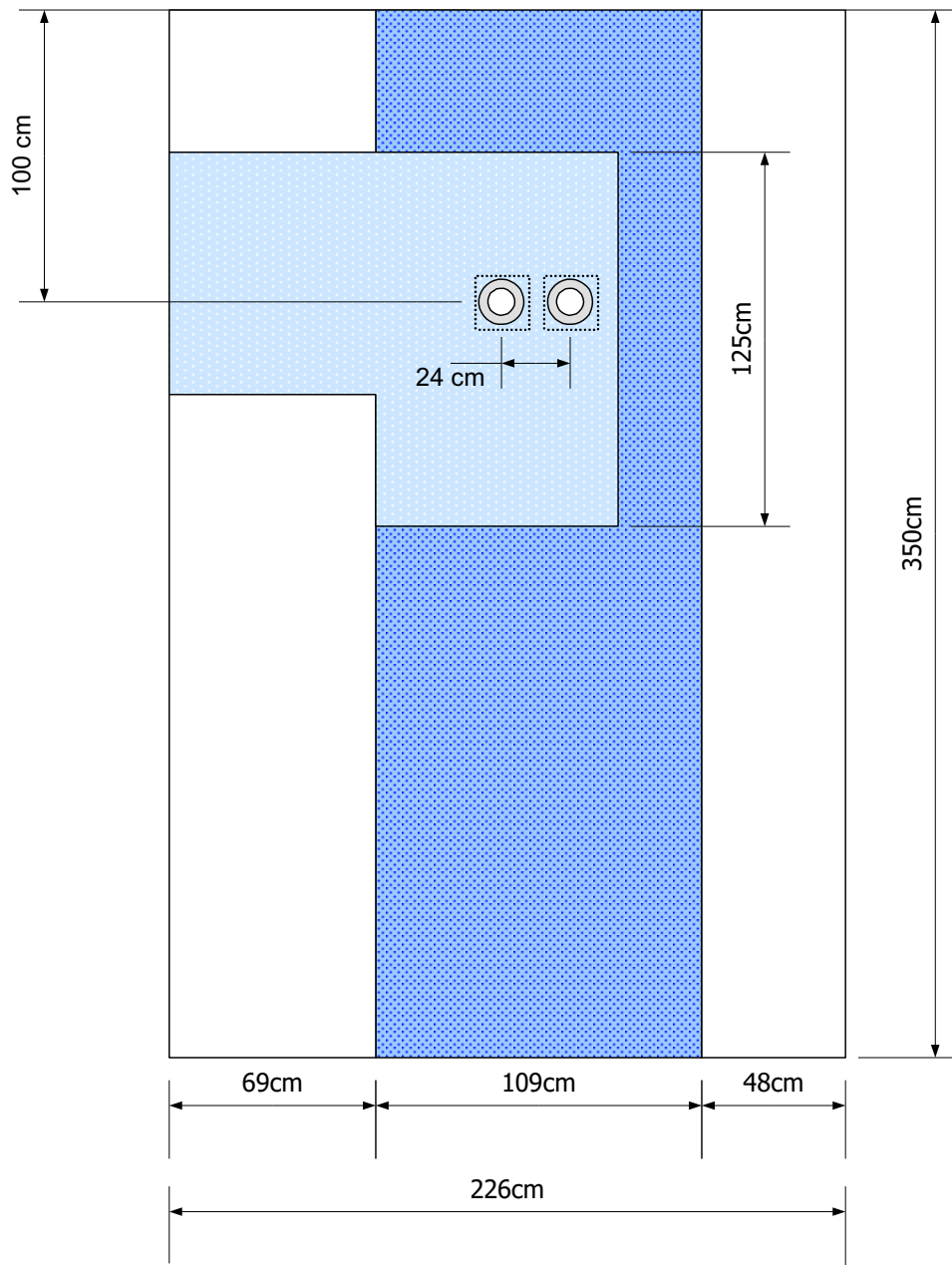
10.1.5 Femoral angio drape, ultra absorbent, L-shape



- 2-ply
- Impervious ultra absorbent
- Transparent PE
- Incision film

Material	Dimensions	Reference number	Ordernumber sterile
2-ply with PE + ULTRA absorbent pad	330 x 190cm	1301229	103500AA
Fenestrations Ø 15cm			
Incision film with fenestration Ø 7,5cm			
Ultra absorbent pad 140 x 140cm			
Attention: non-woven material on patient side for comfort, PE on top 2-ply material			

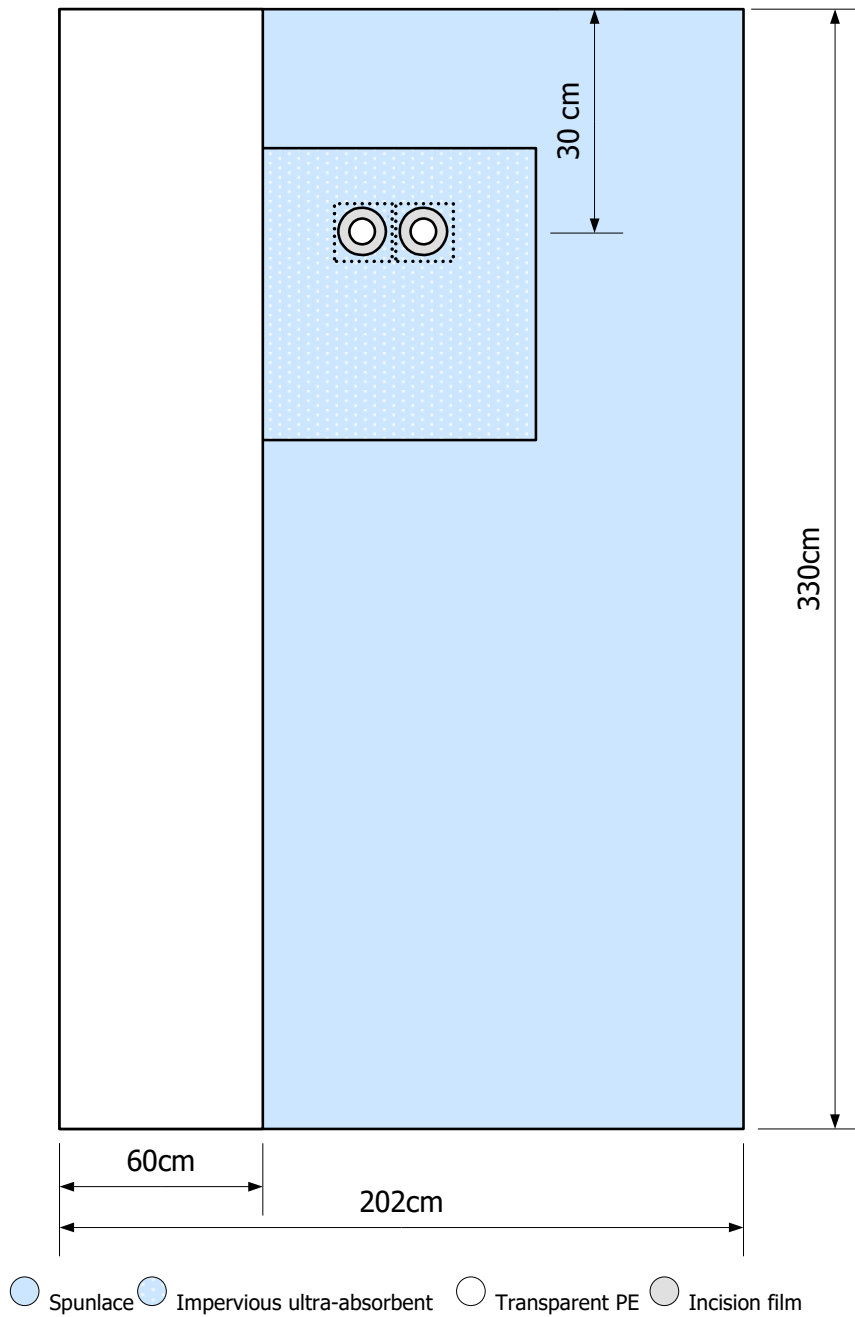
10.1.6 Femoral angio drape, ultra absorbent L-shape, transparent side panels



3-ply
 Impervious ultra absorbent
 Transparent PE
 Incision film

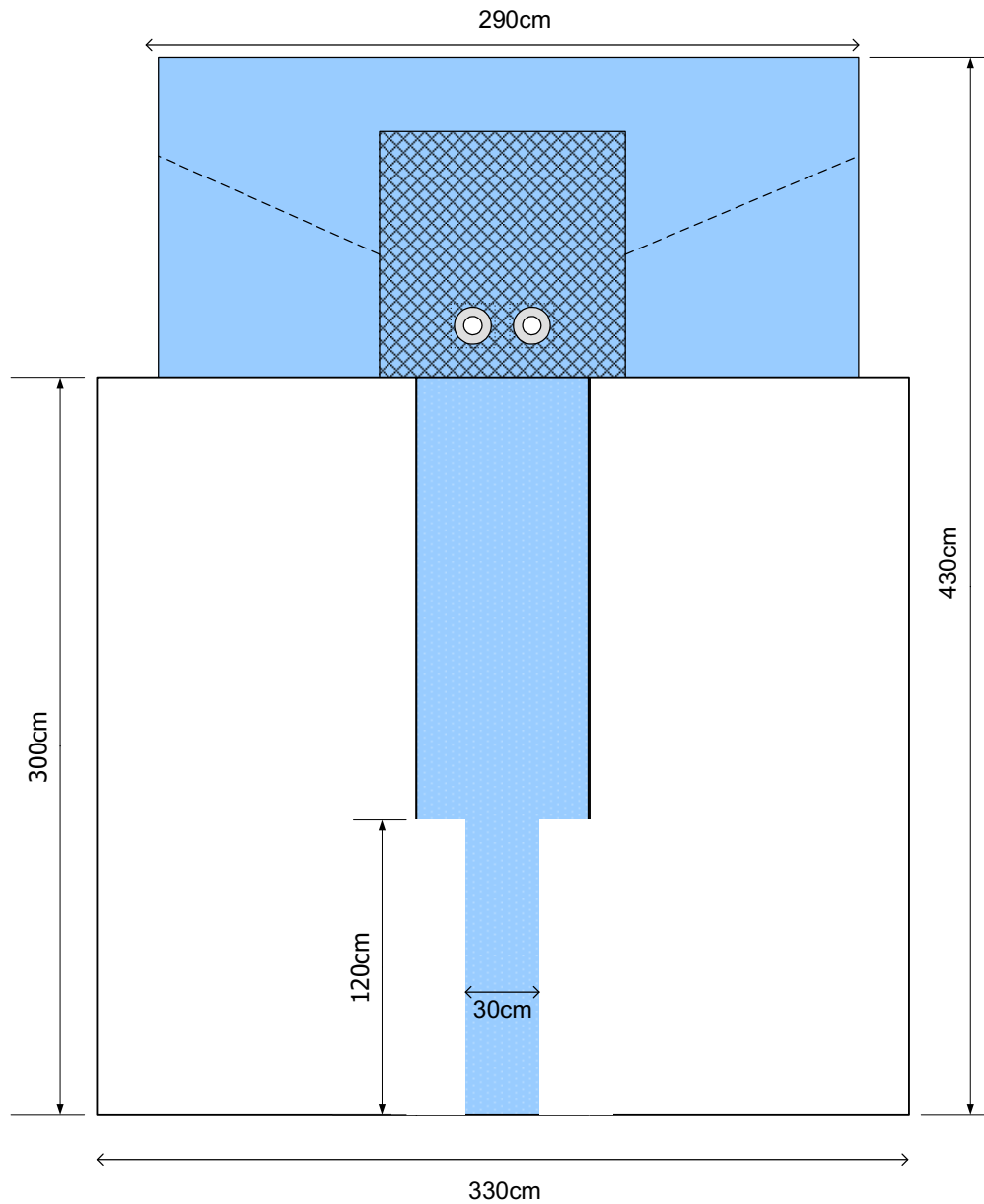
Material	Dimensions	Reference number	Ordernumber sterile
3-ply met PE side panels and ULTRA absorbent pad	350 x 226cm	<u>1302056</u>	102329AA
Fenestrations Ø 15cm			
Incision film with fenestration Ø 7,5cm			
Ultra absorbent pad 125 x 150cm, L-shape			

10.1.7 Femoral angio drape, Spunlace with a transparent side on the right



Material	Dimensions	Reference number	Ordernumber sterile
Spunlace + PE + ULTRA absorbent material	330 x 202cm	1307081	103649AA
2 x fenestration Ø 14cm			
Incision film with fenestration Ø 7,5cm			
Transparent right side panel			
Absorbent pad 86 x 81cm			

10.1.8 Femoral angio drape, 3ply with extra large transparent sides

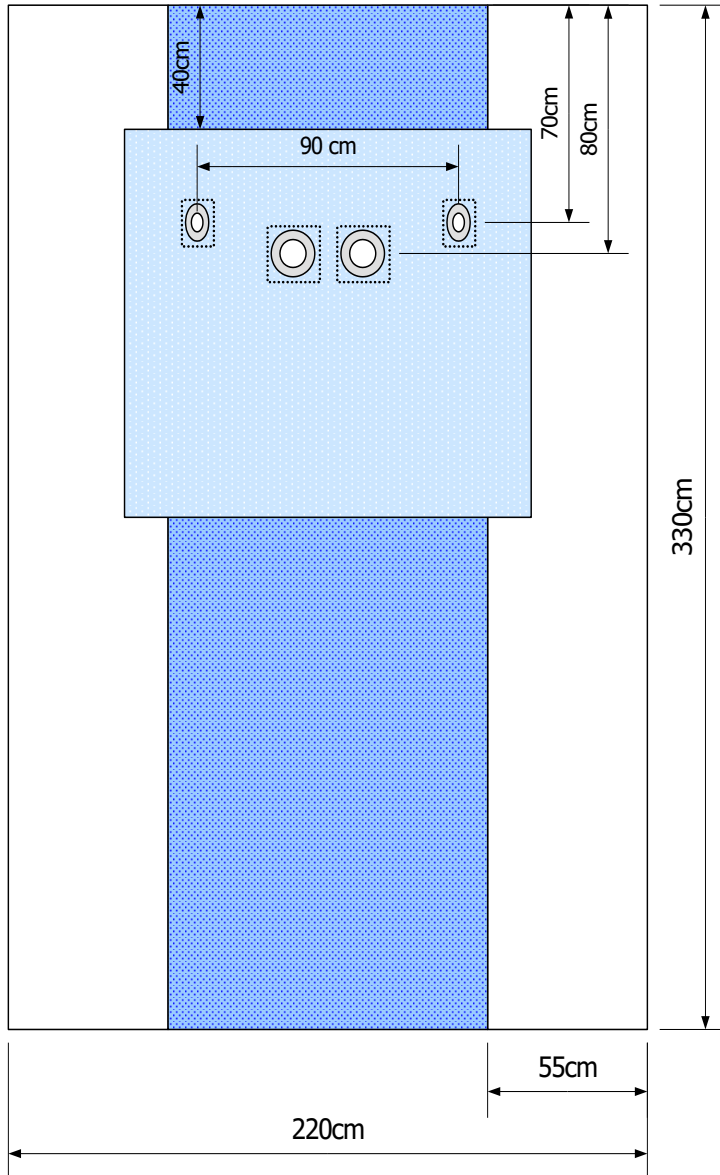


● 3-ply material ● Absorbent material

Material	Dimensions	Reference number	Ordernumber sterile
Spunlace 3ply + extra absorbent material	430 x 290/330cm	1304271	114594AA
2 x fenestration Ø 14cm			
Incision film with fenestration Ø 7,5cm			
Transparent right side panel			
Absorbent pad			

10.2 Femoral radial angiography drapes

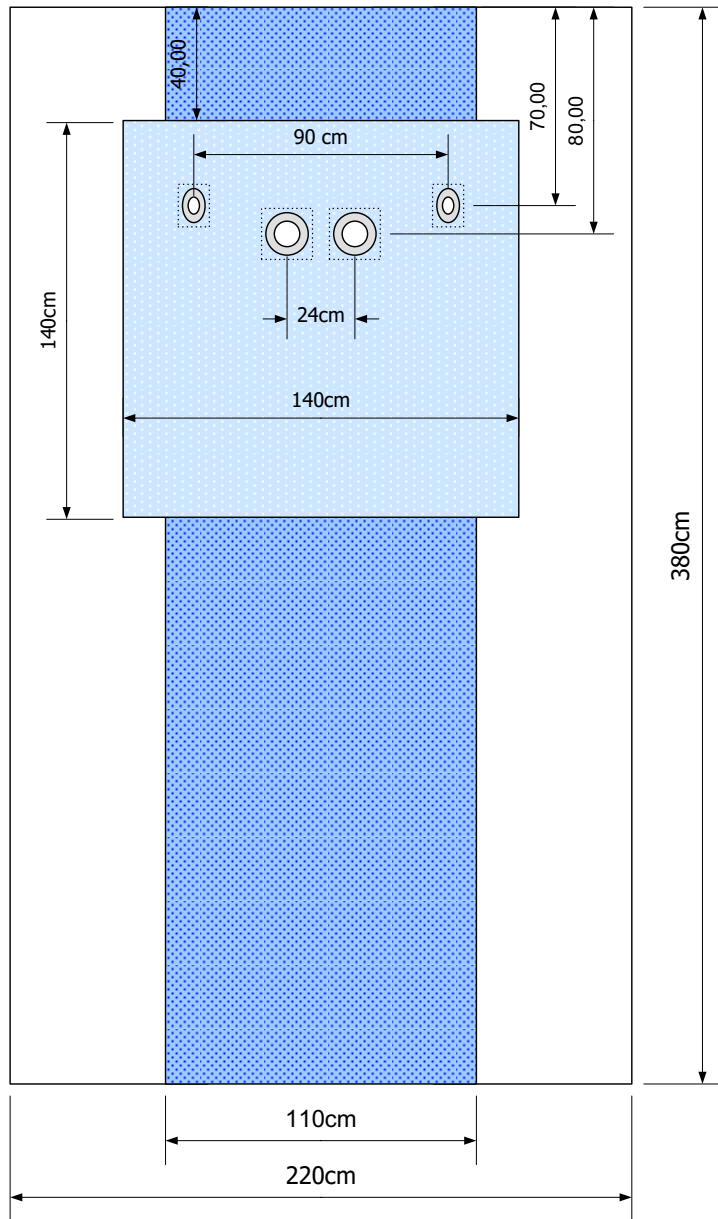
10.2.1 Femoral radial angio drape, standard



- 3-ply
- Transparent PE
- Impervious Ultra-Absorbent
- Incision film

Material	Dimensions	Reference number	Ordernumber sterile
3-ply + ULTRA absorbent pad	330 x 220cm	<u>1301908</u>	104553AB
Femoral fenestrations: incision film Ø 15cm with fenestration Ø 9cm			
Radial fenestrations: incision film oval 12 x 8cm with oval fenestration 6 x 4cm			
Absorbent pad 125 x 140cm			

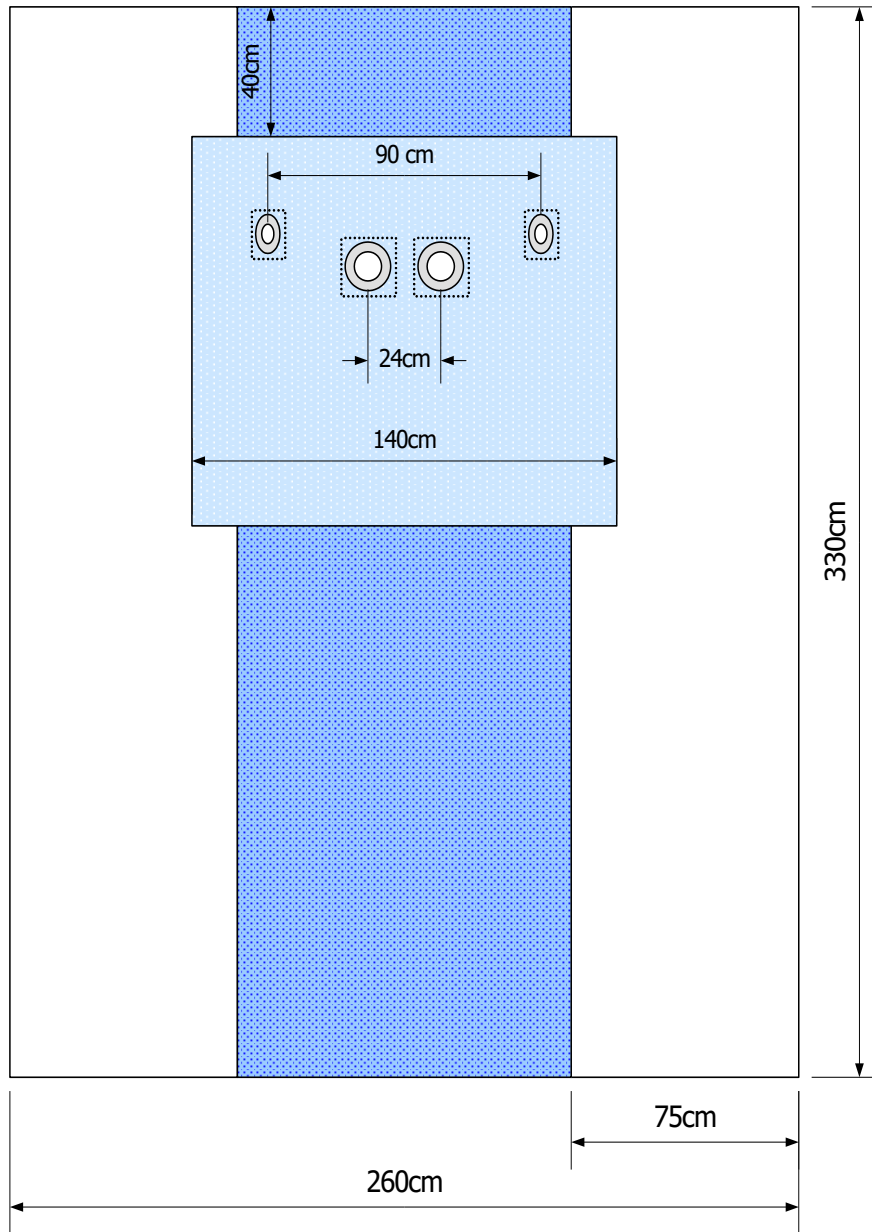
10.2.2 Femoral radial angio drape, XL



3-ply
 Transparent PE
 Impervious Ultra-Absorbent
 Incision film

Material	Dimensions	Reference number	Ordernumber sterile
3-ply + PE/CL en ULTRA absorbent pad	380 x 220cm	<u>1301907</u>	104541AA
Femoral fenestrations: incision film Ø 15cm with fenestration Ø 9cm			
Radial fenestrations: incision film oval 12 x 8cm with oval fenestration 6 x 4cm			

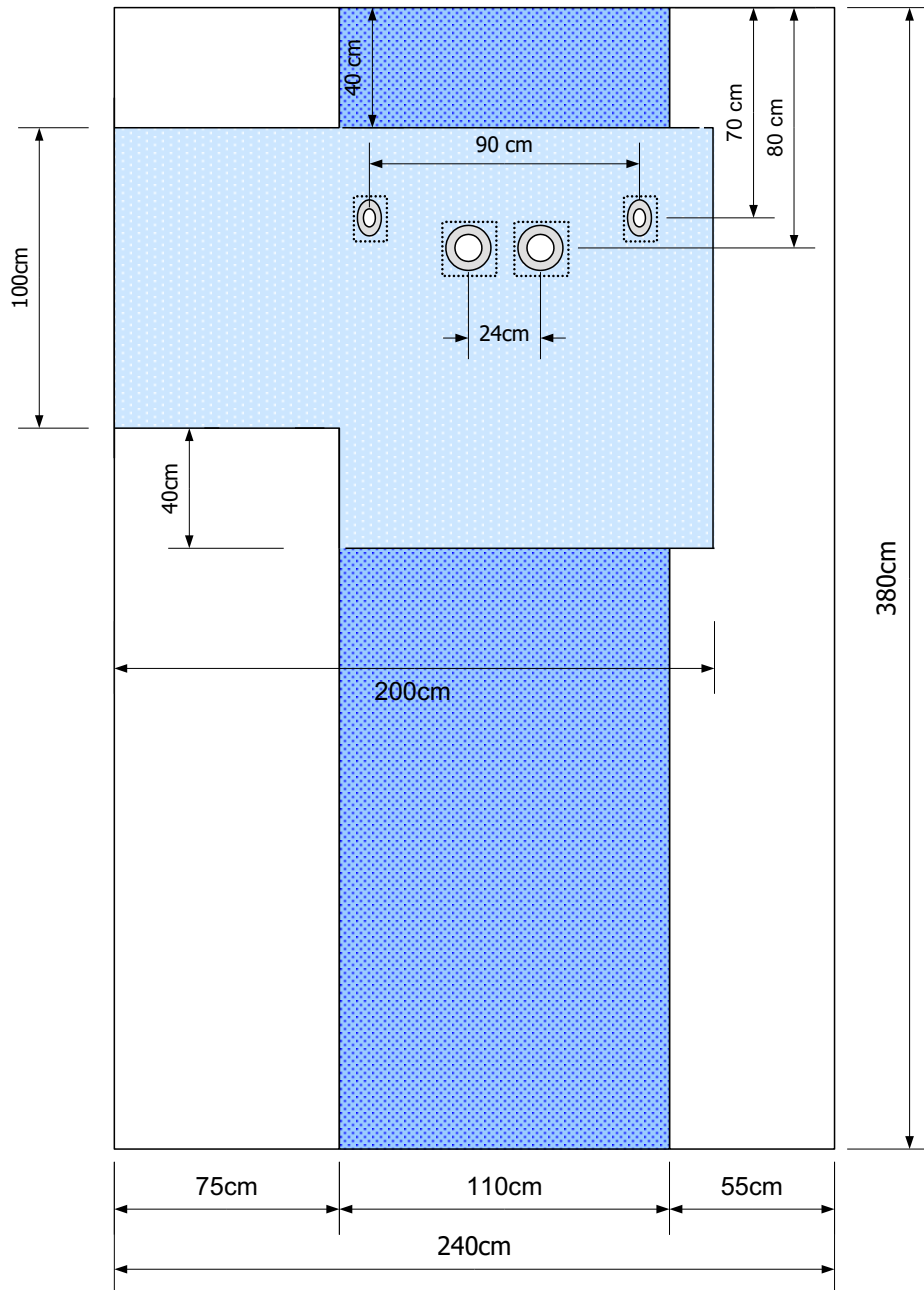
10.2.3 Femoral radial angio drape, with extra wide side panels



3-ply
 Transparent PE
 Impervious Ultra-Absorbent
 Incision film

Material	Dimensions	Reference number	Ordernumber sterile
3-ply met PE/CL and ULTRA absorbent pad	330 x 260cm	<u>1302700</u>	107127AA
Femoral fenestrations: incision film Ø 15cm with fenestration Ø 9cm			
Radial fenestrations: incision film oval 12 x 8 cm with oval fenestration 6 x 4cm			
Wider PE side panels			
Longer version 350x260cm = 1303101			

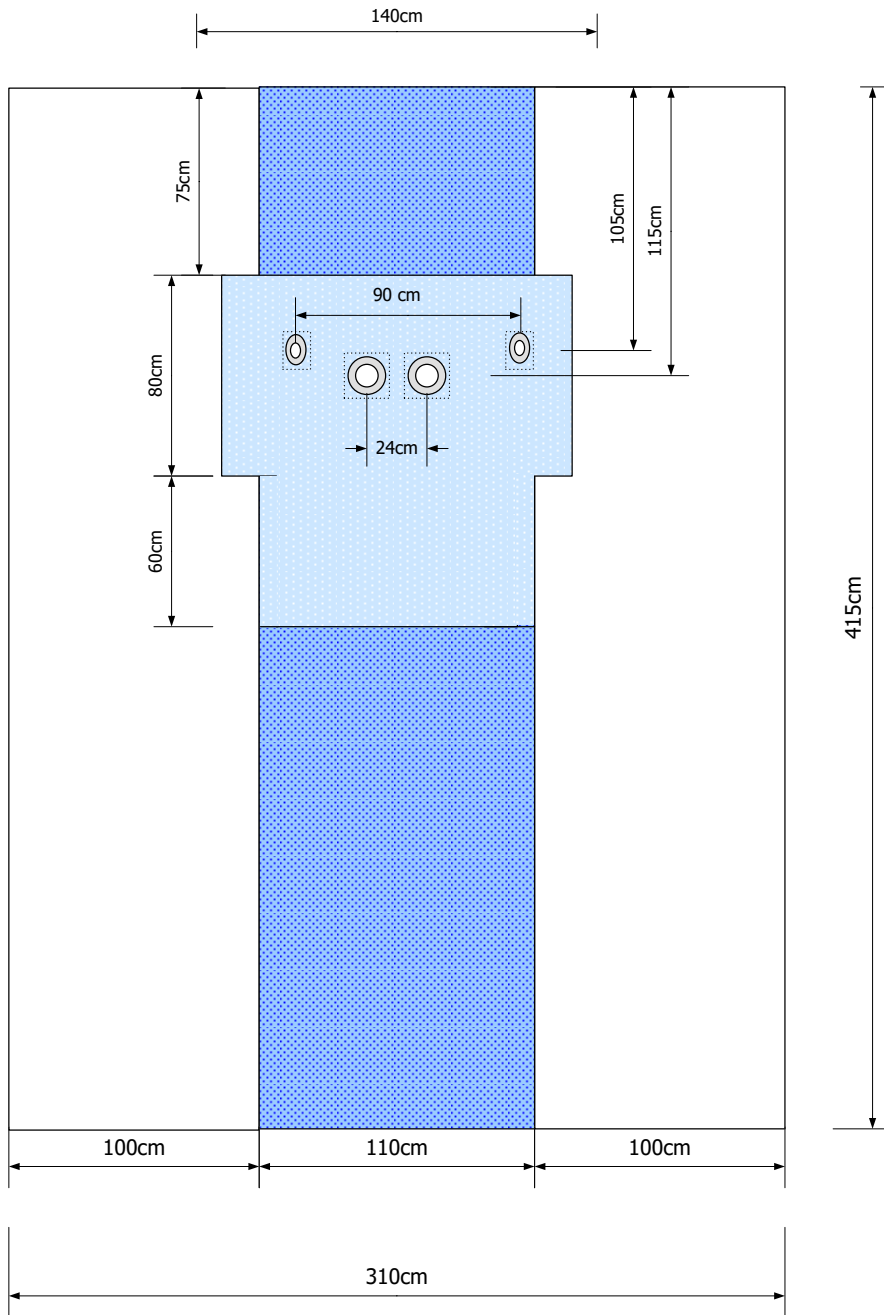
10.2.4 Femoral radial angio drape, with L-shape absorbent pad



● 3-ply
 Transparent PE
 Impervious Ultra-Absorbent
 Incision film

Material	Dimensions	Reference number	Ordernumber sterile
3-ply + PE/CL + ULTRA Absorbent pad	380 x 240cm	1303241	109448AA
Femoral fenestrations: incision Ø 15cm with fenestration Ø 9cm			
Radial fenestration: incision film oval 12 x 8cm with oval fenestration 6 x 4cm			
Absorbent pad 140 x 200cm in L-shape			
Wider PE side panel on the right side			

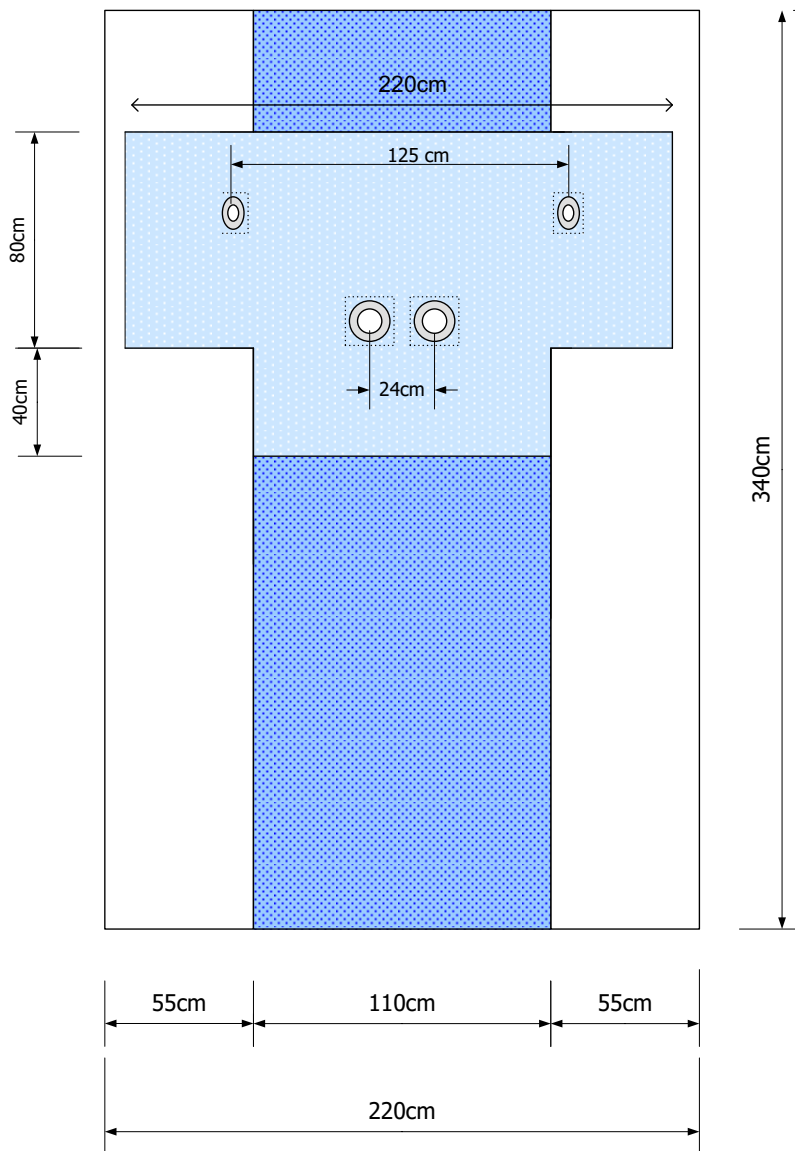
10.2.5 Femoral radial angio drape, with T-shape absorbent pad



3-ply
 Transparent PE
 Impervious Ultra-Absorbent
 Incision film

Material	Dimensions	Reference number	Ordernumber sterile
3-ply with PE/CL and ULTRA Absorbent pad	415 x 310 cm	1302779	106871AA
Femoral fenestrations: incision film Ø 15cm with fenestration Ø 9cm			
Radial fenestrations: incision film oval 12 x 8 cm with oval fenestration 6 x 4cm			
Absorbent pad 140 x 140cm in T-shape			
Wider PE side panels			

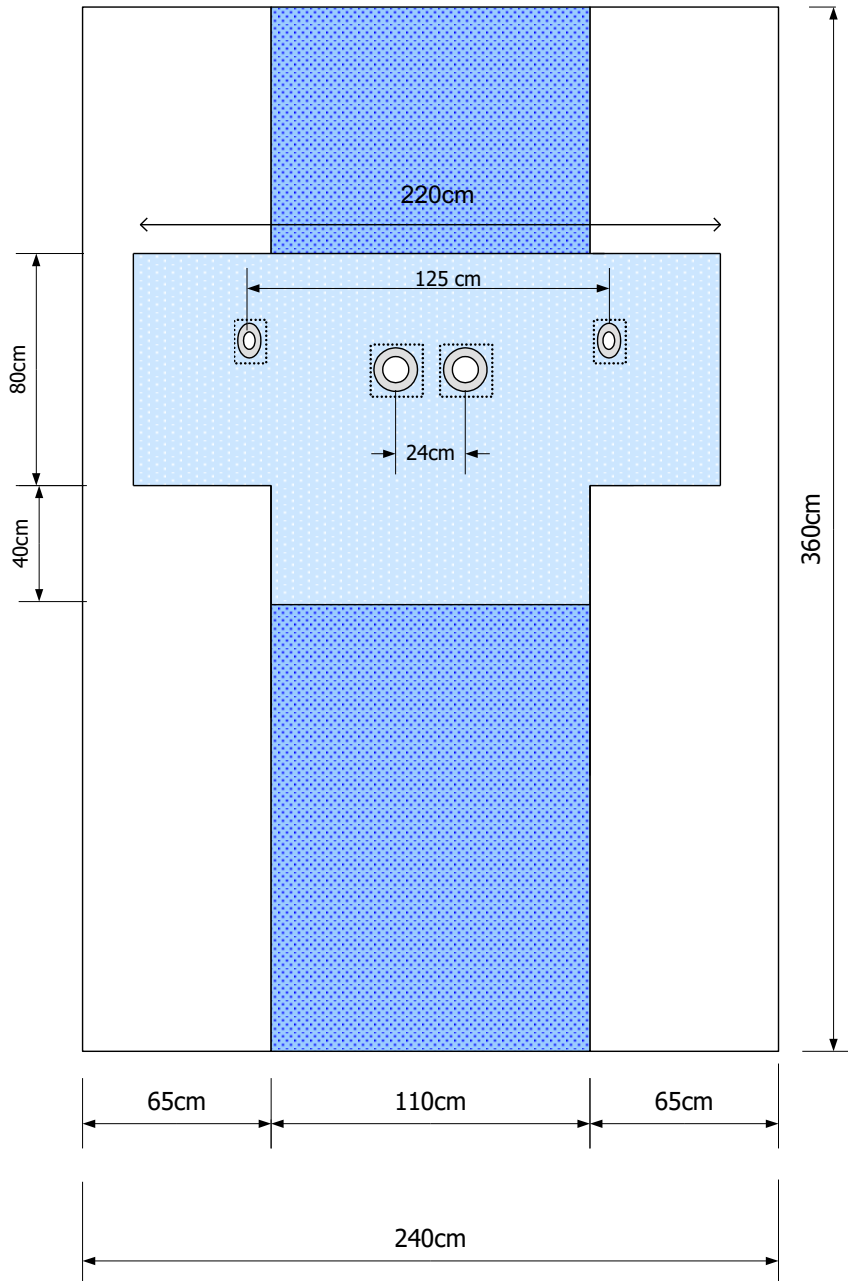
10.2.6 Femoral radial angio drape, met T-shape absorbent pad



3-ply
 Transparent PE
 Impervious Ultra-Absorbent
 Incision film

Material	Dimensions	Reference number	Ordernumber sterile
3-ply + ULTRA absorbent pad	340 x 220cm	1303592	110770AA
Femoral fenestrations: incision film Ø 15cm with fenestration Ø 9cm			
Radial fenestrations: incision film oval 12 x 8cm with oval fenestration 6 x 4cm			
Absorbent pad 120 x 220cm in T-shape			
Distance between radial fenestrations 125cm + distance between radial and femoral fenestrations is larger			
PE side panels			

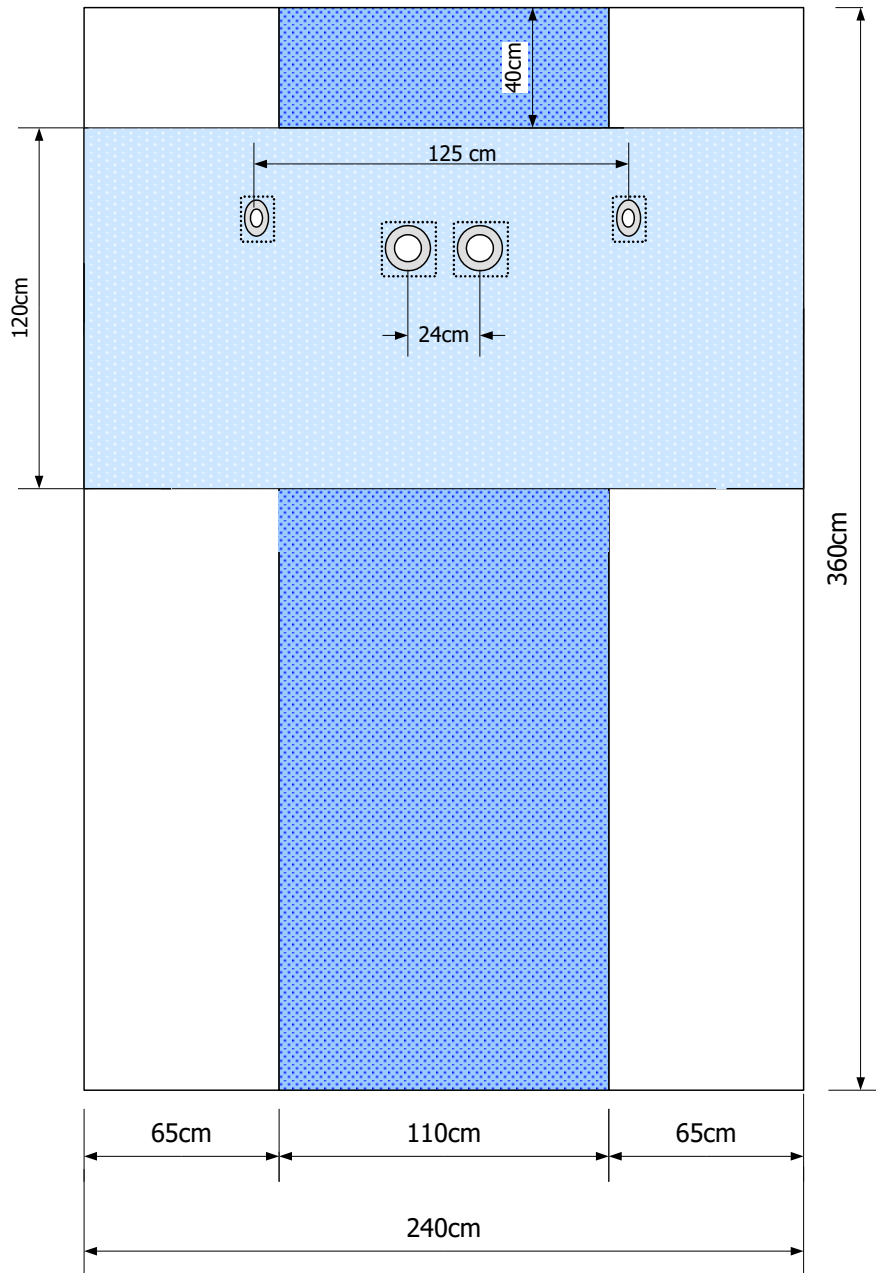
10.2.7 Femoral radial angio drape, with T-shape absorbent pad XL



3-ply
 Transparent PE
 Impervious Ultra-Absorbent
 Incision film

Material	Dimensions	Reference number	Ordernumber sterile
3-ply + ULTRA Absorbent PAD	360 x 240cm	<u>1303591</u>	108695AA
Femoral fenestrations: incision film Ø 15cm with fenestration Ø 9cm			
Radial fenestrations: incision film oval 12 x 8cm with oval fenestration 6 x 4cm			
Absorbent pad 120 x 220cm in T-shape			
Distance between radial fenestrations 125cm, PE side panels			
2-ply version: 1304554			

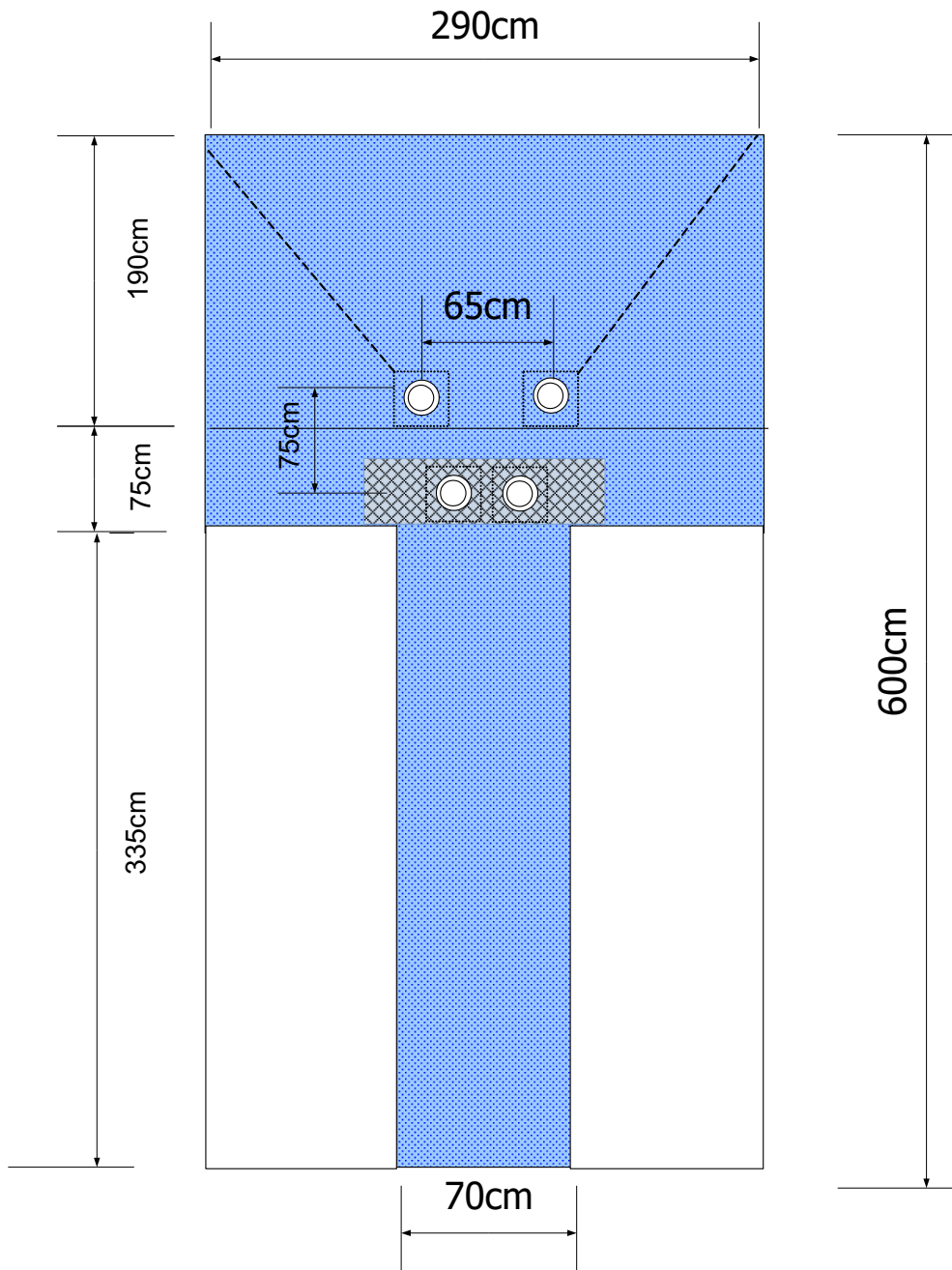
10.2.8 Femoral radial angio drape, with absorbent pad XL



- 3-ply
- Transparent PE
- Impervious ULTRA Absorbent
- Incision film

Material	Dimensions	Reference number	Ordernumber sterile
3-ply	360 x 240cm	1303754	115070AA
Femoral fenestrations: incision film Ø 15cm with fenestration Ø 9cm			
Radial fenestrations: incision film oval 12 x 8cm with oval fenestration 6 x 4cm			
Absorbent pad 120 x 240cm			
Distance between radial fenestrations 125cm			
PE side panels			

10.2.9 Femoral axial angio drape

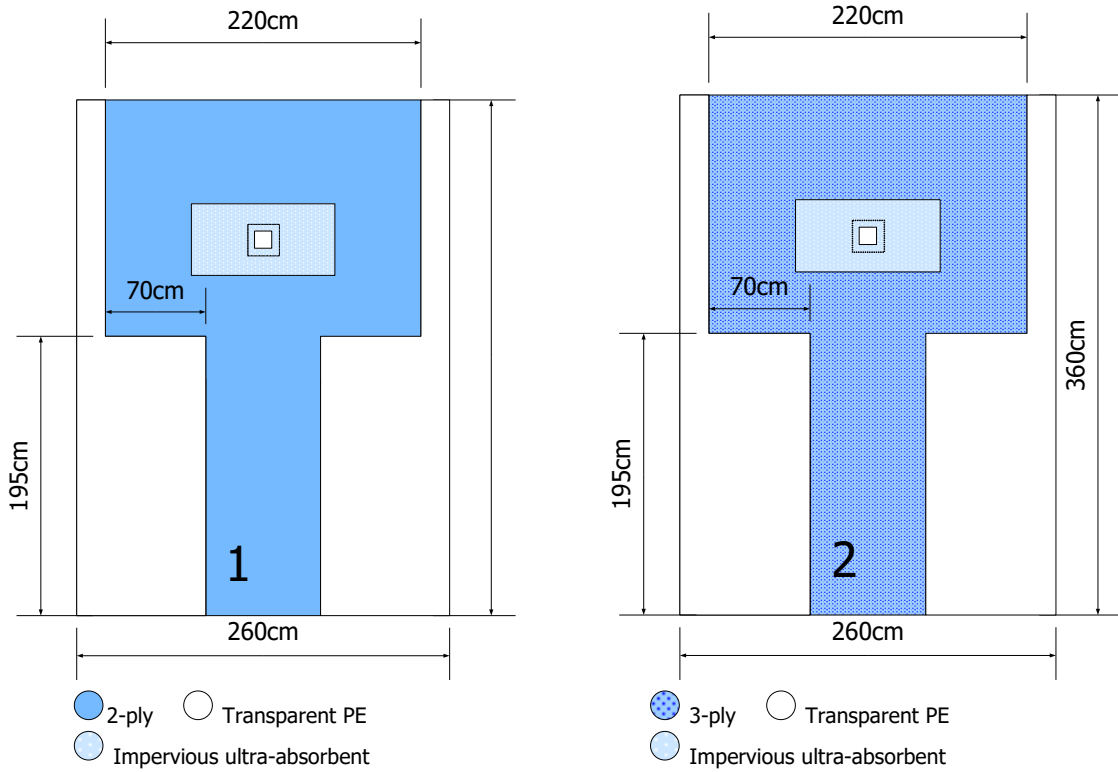


3-ply
 Transparent PE
 3-ply absorbent material
 Incision film

Material	Dimensions	Reference number	Ordernumber sterile
3-ply mat + PE/CL + absorbent material	600 x 290cm	1303421	109875AA
Femoral fenestrations: incision film Ø 15cm with fenestration Ø 9cm			
Axillaire fenestrations: incision film Ø 15cm with fenestration Ø 9cm			
Absorbent pad 40 x 100cm			

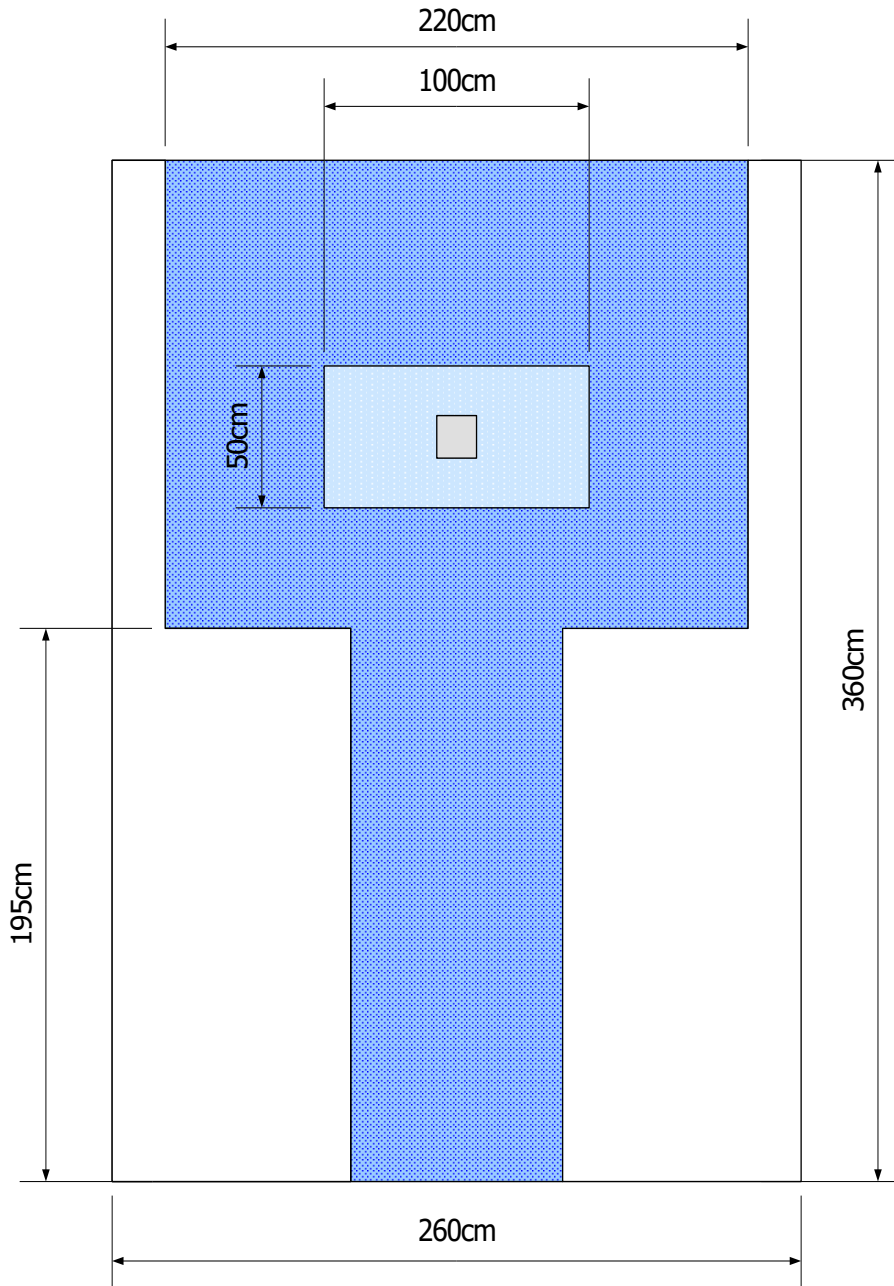
10.3 Pacemaker drapes




10.3.1 Pacemaker drape with fenestration 12 x 12cm



	Material	Dimensions	Reference number	Ordernumber sterile
1	2-ply	360 x 260cm	1303877	112298AA
2	3-ply	360 x 260cm	<u>1301983</u>	117074AA (was 104542AA)
Absorbent pad 50 x 100cm				
Fenestration 12 x 12cm without incision film				

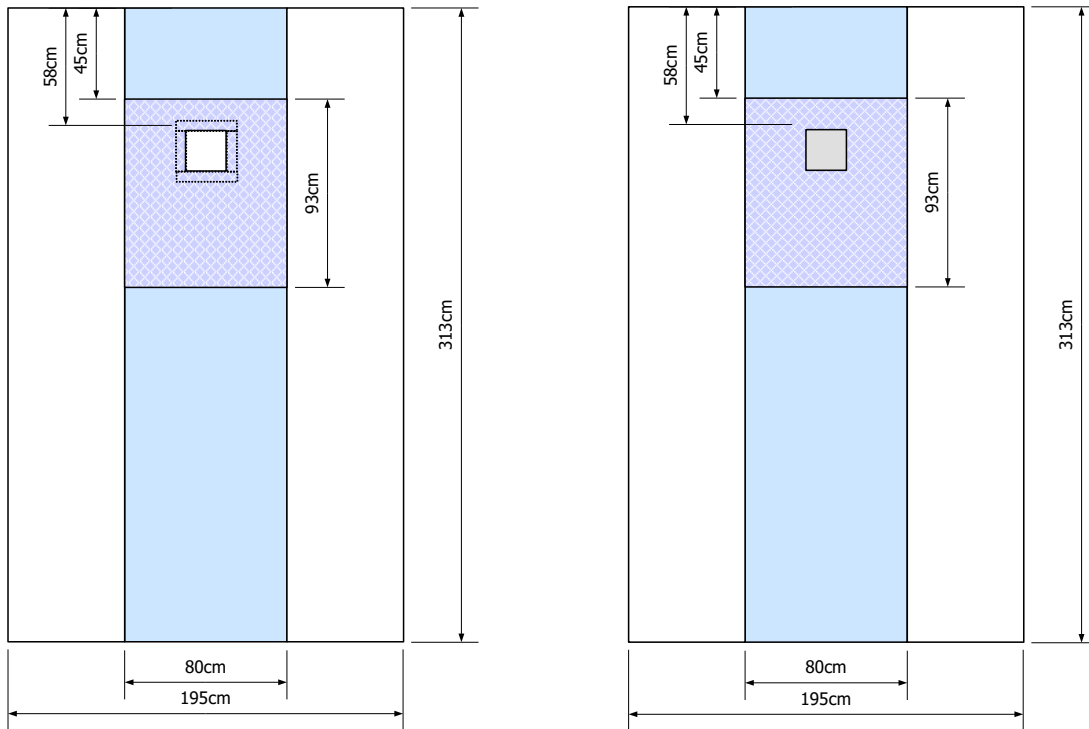
10.3.2 Pacemaker drape 3-ply with fenestration 15 x 15cm with incision film



-  3-ply
-  Transparent PE
-  Impervious Ultra-Absorbent
-  Incision film

Material	Dimensions	Reference number	Ordernumber sterile
3-ply material	360 x 260cm	1303147	108396AA
Absorbent pad 100 x 50cm			
Fenestration 15 x 15 cm with incision film			
<i>Drape with incision film + tape : 1303324</i>			

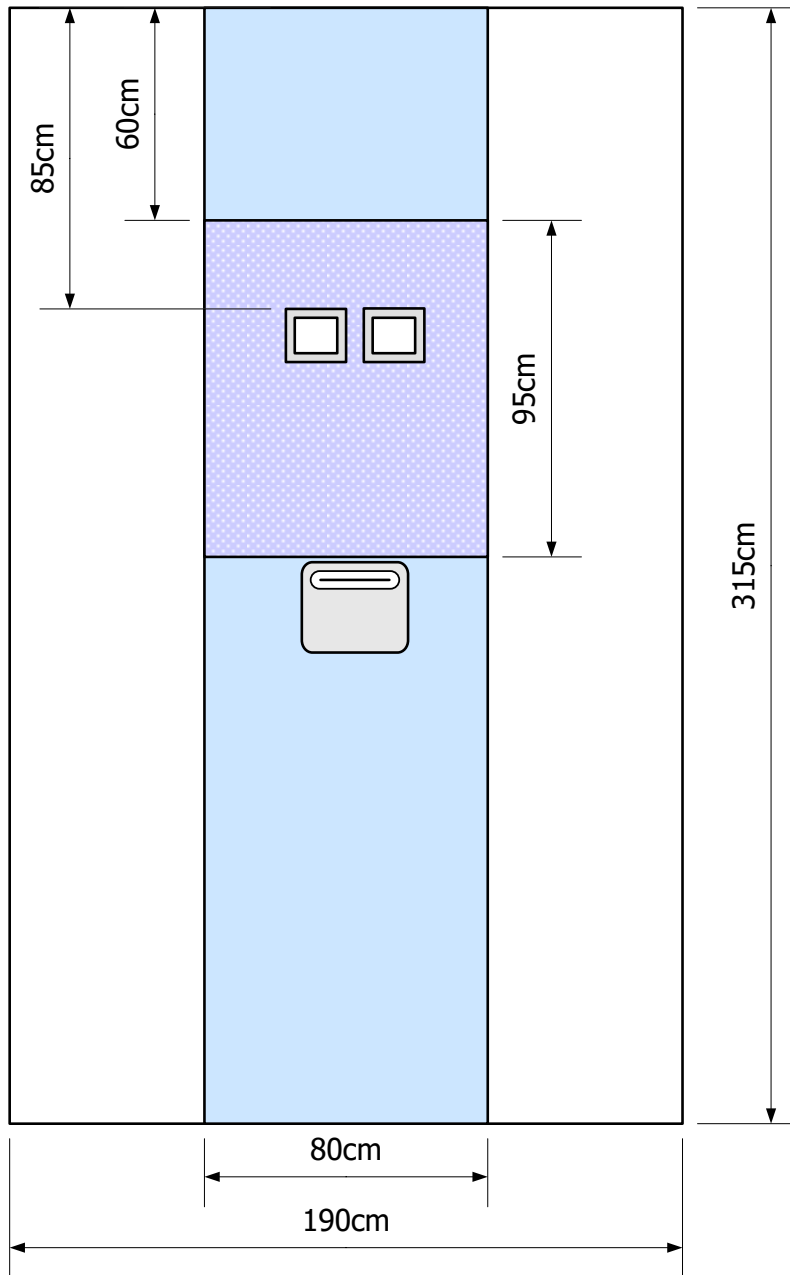
10.3.3 Pacemaker drape Spunlace with fenestration 20 x 20cm



Spunlace
 Impervious Absorbent
 Transparent PE
 Incision film

Material	Dimensions	Incision film	Reference number	Ordernumber sterile
Spunlace	313 x 195cm	NO (with tape)	1301305	114702AA (was 103505AA)
Spunlace	313 x 195cm	YES (without tape)	<u>1301298</u>	103506AA
Fenestration 20 x 20cm				

10.3.4 Pacemaker drape with 2 fenestrations



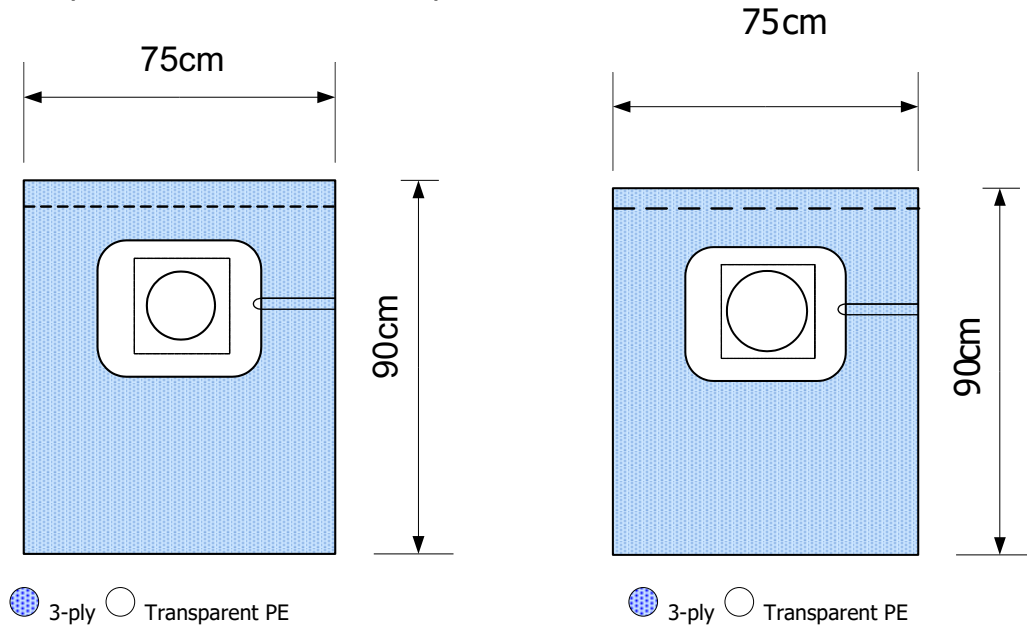
Spunlace
 Impervious absorbent
 Transparent PE
 Incision film

Material	Dimensions	Reference number	Ordernumber sterile
Spunlace	315 x 190cm	1307023	103507AA
2 Fenestrations 15 x 17cm with incision film with fenestrations 10 x 12cm			
Absorbent pad 95 x 80cm			
Fluid collection pouch 25,5 x 30cm			

11 Anesthesia drapes

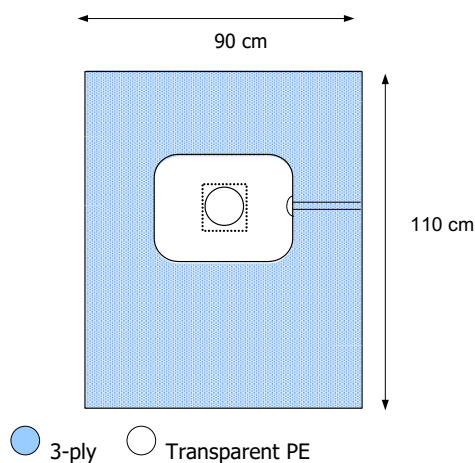
11.1. CV drapes

11.1.1. CV drape, 90 x 75 cm with transparent fenestration



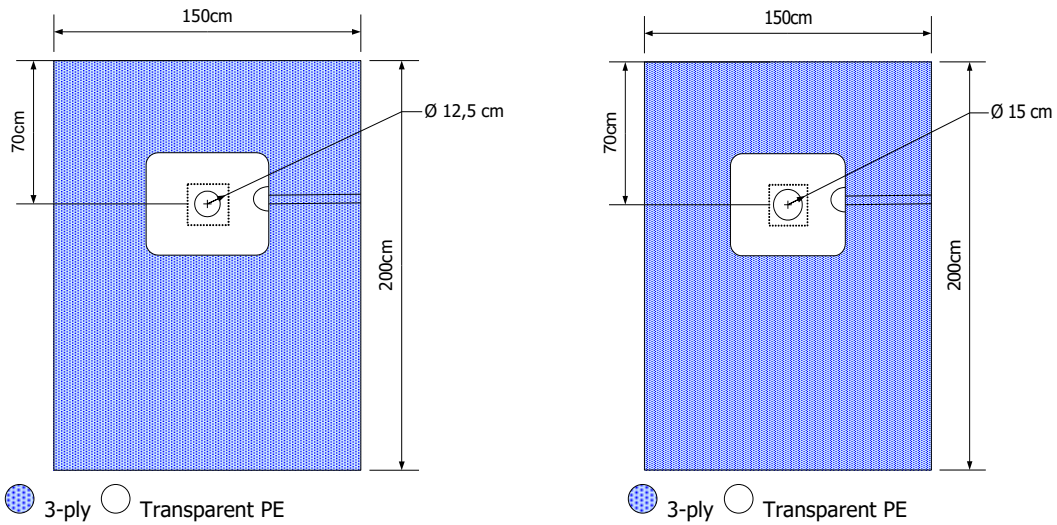
Material	Dimensions	Transparent PE	Reference number	Ordernumber sterile
3-ply material	90 x 75cm	45 x 45cm Ø 12,5cm + ZIP + tape	<u>1303245</u>	108767AA
3-ply material	90 x 75cm	45 x 45cm Ø 15cm + ZIP + tape	1303433	110247AA
Zipper feature; without using a scissor the drape can be easily eliminated				

11.1.2 CV drape 110 x 90cm with transparent fenestration



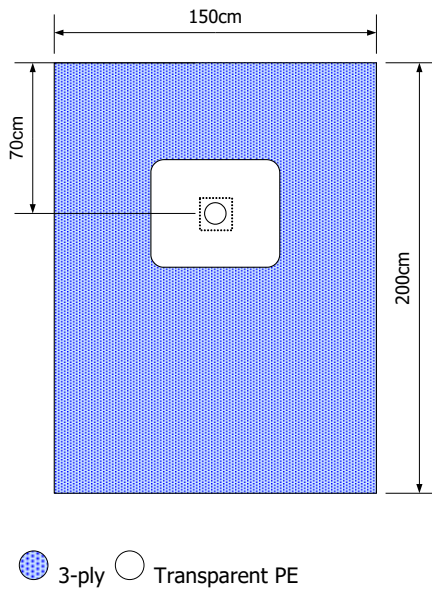
Material	Dimensions	Transparent PE	Reference number	Ordernumber sterile
3-ply material	110 x 90cm	35 x 45cm Ø 12,5cm + ZIP	<u>1303290</u>	108989AA
Zipper feature; without using a scissor the drape can be easily eliminated				

11.1.3 CV drape, 200 x 150cm with transparent fenestration en zipper feature



Material	Dimensions	Reference number	Ordernumber sterile
3-ply material	200 x 150cm, Ø12,5cm	1303195	108740AA
3-ply material	200 x 150cm Ø15cm	1303075	108385AA
Transparent PE 50 x 60cm			
Zipper feature; without using a scissor the drape can be easily eliminated			

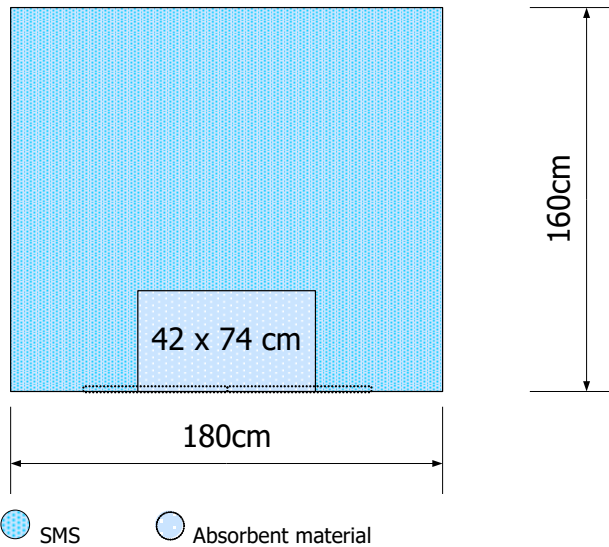
11.1.4 CV drape, 200 x 150cm, with transparent zone, without ZIP



Material	Dimensions	Reference number	Ordernumber sterile
3-ply material	200 x 150cm	1302079	102444AA
Transparent PE 50 x 60cm			
Fenestration Ø 10cm			

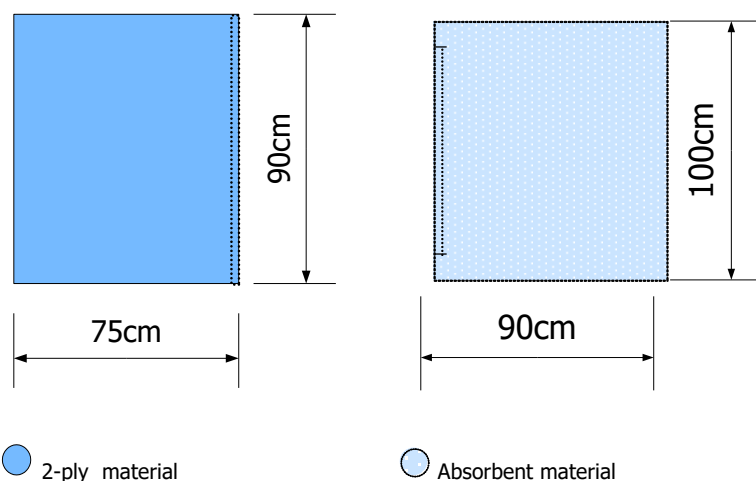
12 Pediatric drapes

12.1 Top/bottom drape, PEDIATRIC (with smaller tape)



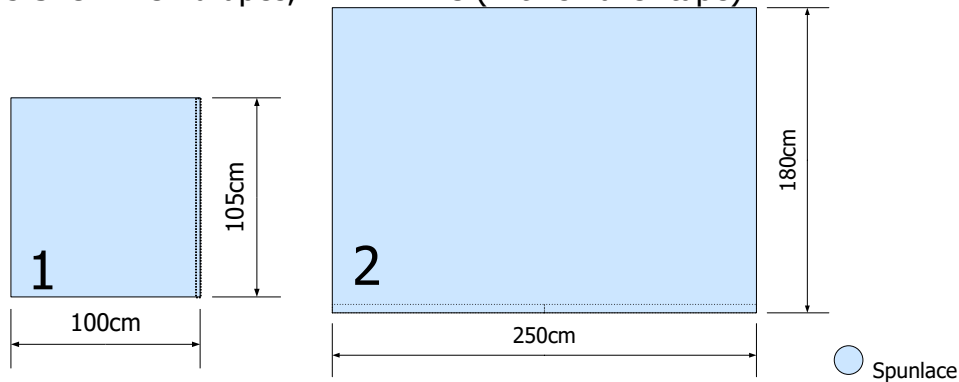
Material	Dimensions	Reference number	Ordernumber sterile
SMS material	160 x 180cm	1303257	108820AA

12.2 Side drape, PEDIATRIC (with smaller tape)



Material	Dimensions	Reference number	Ordernumber sterile
2-ply material	90 x 75cm	1303070	110248AA
Absorbent material	100 x 90cm	1303256	108821AA

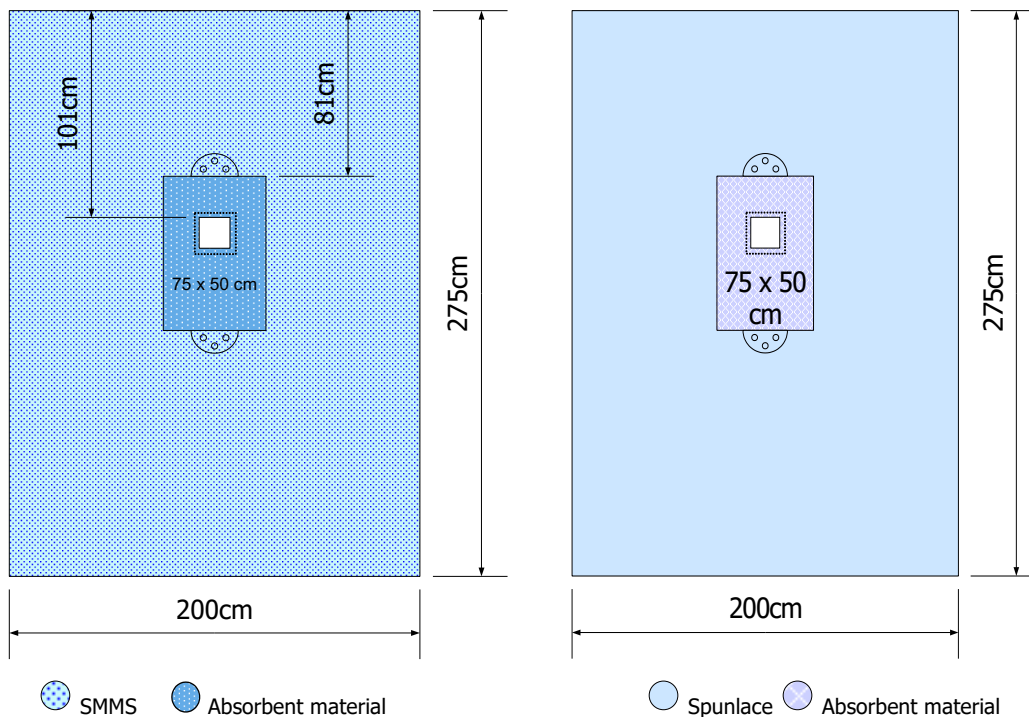
12.3 SPUNLACE drapes, PEDIATRIC (with smaller tape)



	Dimensions	Material	Reference number	Ordernumber sterile
1	105 x 100cm	Spunlace	<u>1307093</u>	103844AA (tape 2,5cm)
2	180 x 250cm	Spunlace	1301555	103468AA (tape 2,5cm)

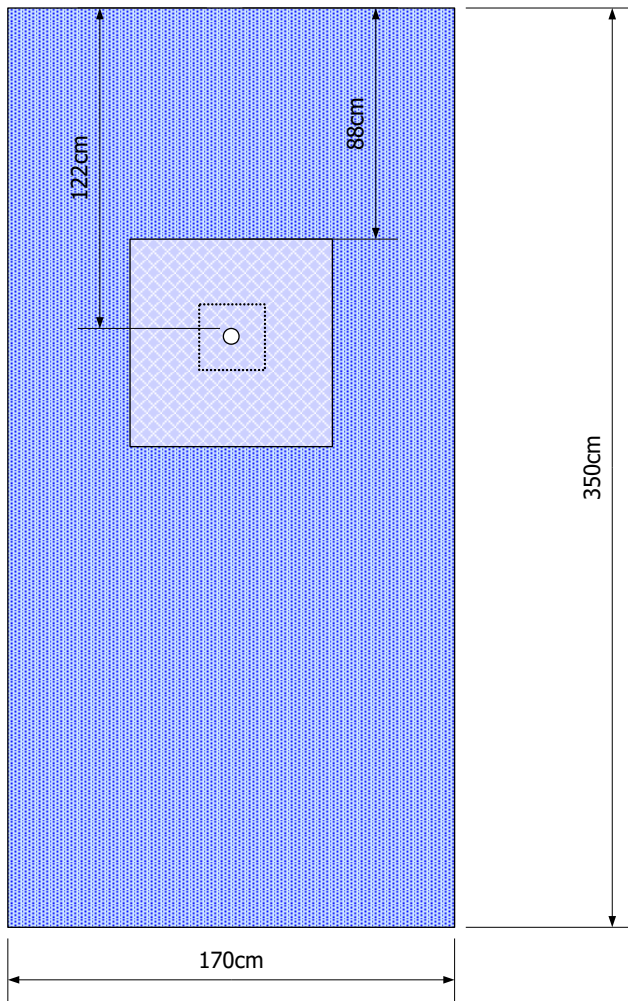
12.4 Fenestrated drape, PEDIATRIC (with smaller tape)

12.4.1 Fenestrated drape, pediatric



Material	Dimensions	Reference number	Ordernumber sterile
SMMS	275 x 200cm, fenestration 15 x 15cm	1303277	112299AA
Spunlace	275 x 200cm, fenestration 15 x 15cm	1306951	103516AA
Absorbent pad 75 x 50cm, tape 2,5cm around fenestration			

12.4.2 Fenestrated drape, 3-ply material with smaller tape, PEDIATRIC

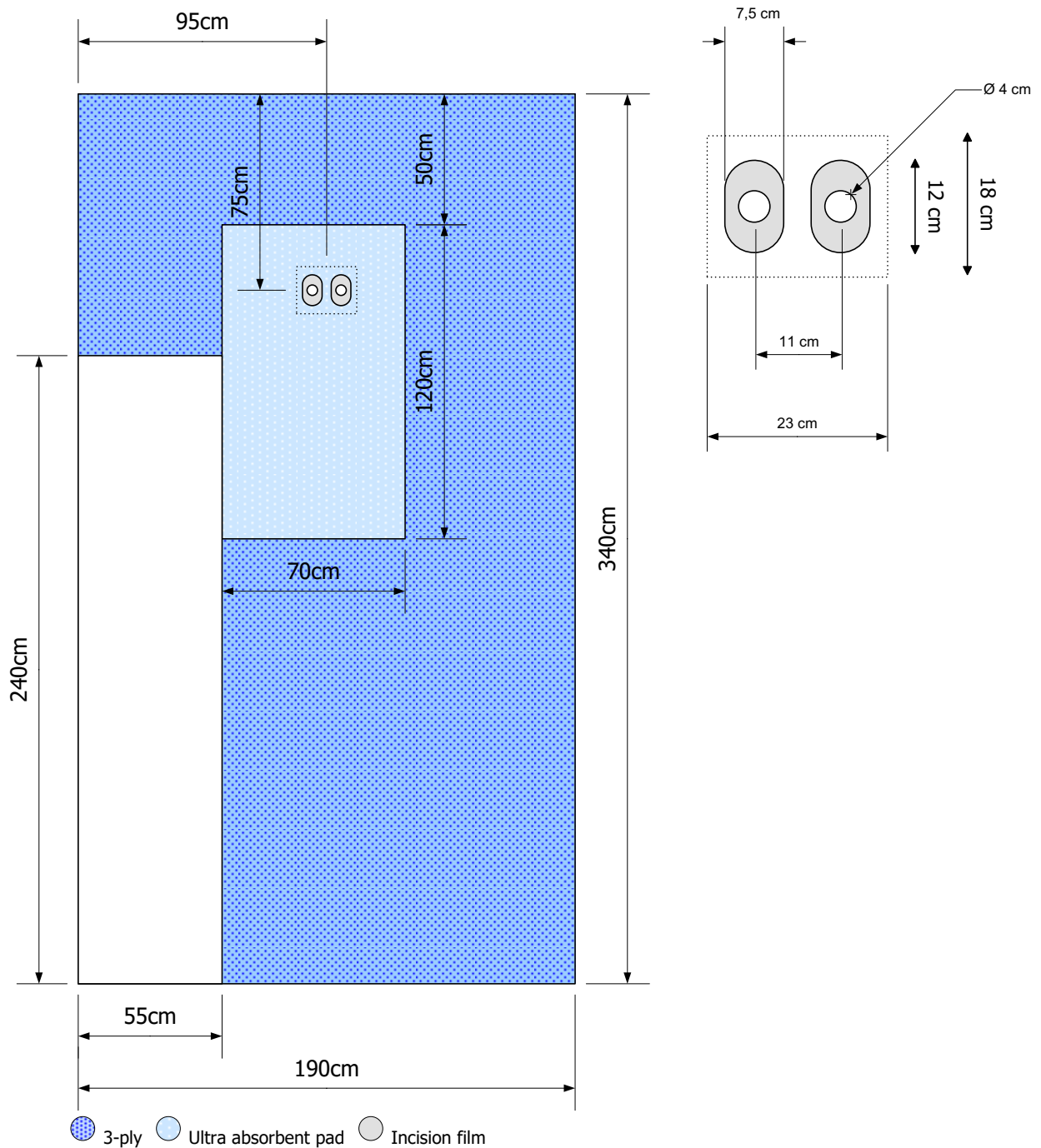


3-ply material
 Absorbent material

Material	Dimensions	Reference number	Ordernumber sterile
3-ply material	350 x 170cm, fenestration Ø 6cm	1302673	112230AA
Absorbent pad 80 x 80cm			
Fenestration Ø 6cm			
Tape 2,5cm around fenestration			

12.5 Angio drape, PEDIATRIC

12.5.1 Femoral Angio drape 3-PLY, PE side panel rightl, PEDIATRIC

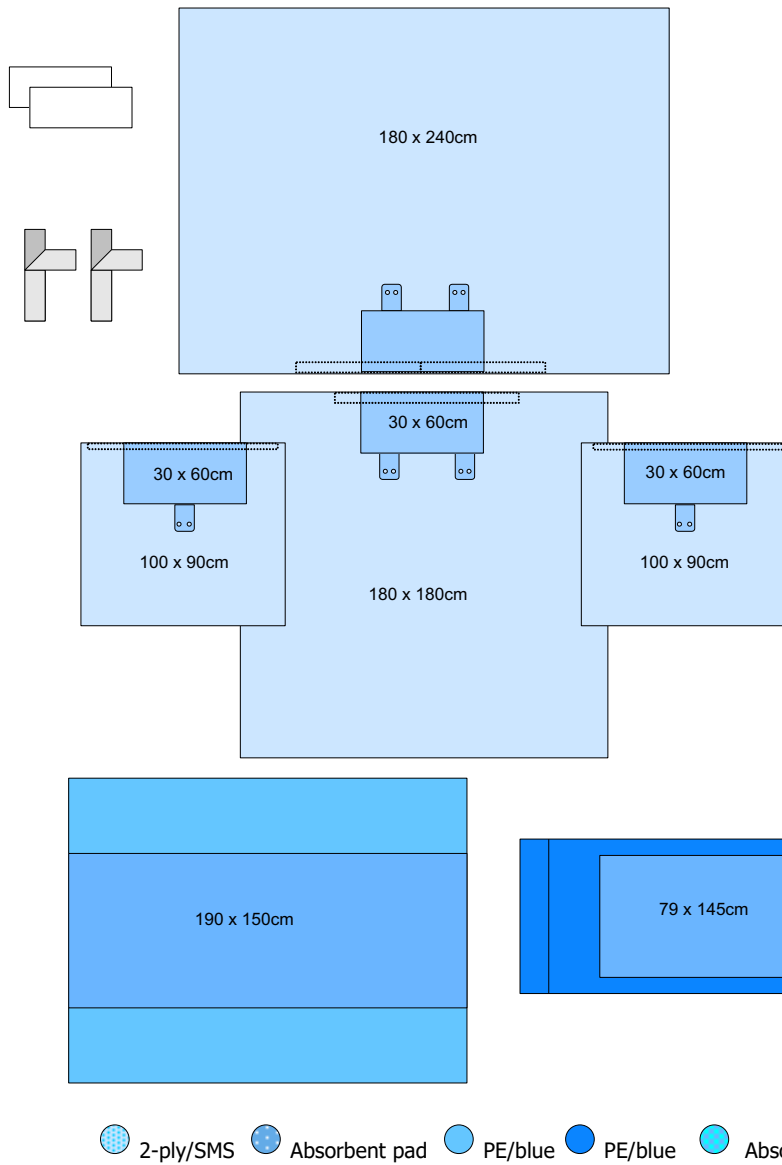


Material	Dimensions	Reference number	Ordernumber Sterile
3-ply	340 x 190 cm	1302095	104552AA
Oval fenestrations 18 x 7,5cm			
Incision film with fenestration Ø 4cm			
Absorbent pad 120 x 70cm			

13 Standard drape packs

13.1 Universal pack

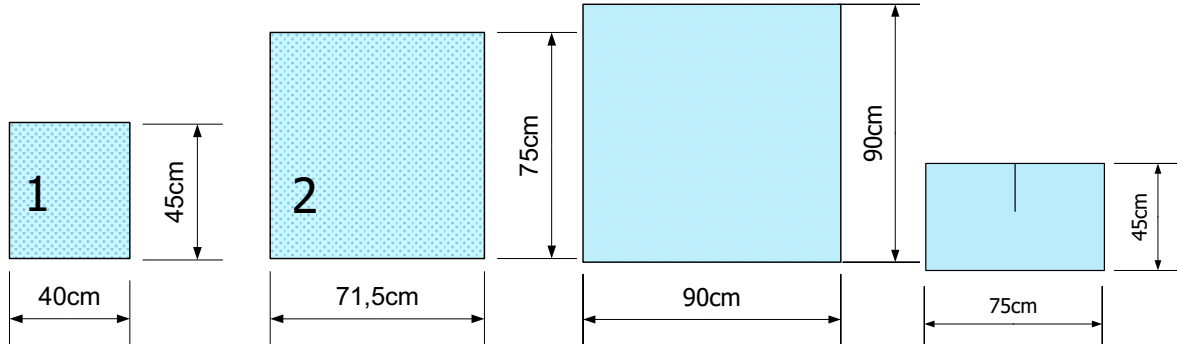
13.1.1. Universal pack 2-ply OR SMS material




77018EG Universal pack 2-ply material		
11000EGA Universal pack SMS material		
Description	Number	Dimensions
Top drape	1	180 x 240cm
Side drape	2	100 x 90cm
Bottom drape	1	180 x 180cm
Table cover	1	195 x 150cm
Mayo cover	1	76 x 145cm
Tapestrip	2	10 x 50cm
Towel	2	34 x 61cm

14. Drapes for outpatient unit

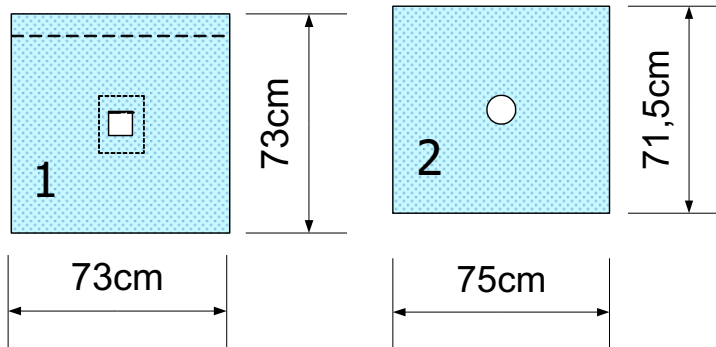
14.1 Tissue laminate drapes




 Tissue Laminate

	Material	Dimensions	Reference number	Folding
1	Tissue laminate	40 x 45cm	1303476	Fan folded
2	Tissue laminate	75 x 71,5cm	1303820 1303289	Soft folded Fan folded
3	Tissue laminate	90 x 90cm	1309963	Soft folded
4	Tissue laminate, split!!	45 x 75cm	1304311	Fan folded

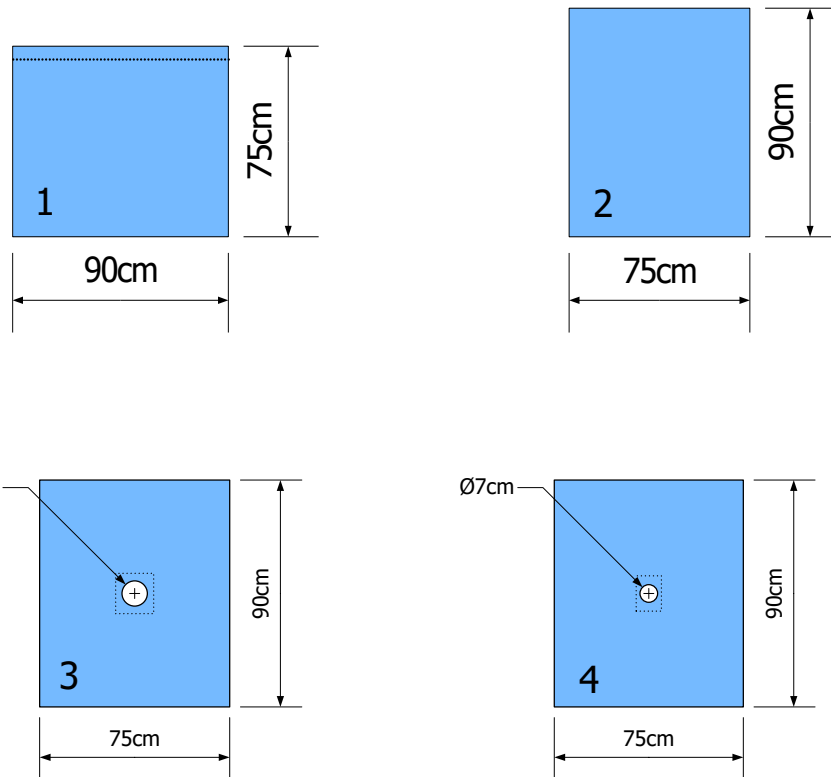
14.2 Tissue laminate fenestration drapes




 Tissue laminate

	Material	Dimensions	Fenestration	Reference number
1	Tissue laminate	73 x 73cm + TAPE on the top	8 x 8cm	1303480
2	Tissue laminate	75 x 71,5cm no tape	Ø 10cm	1303288

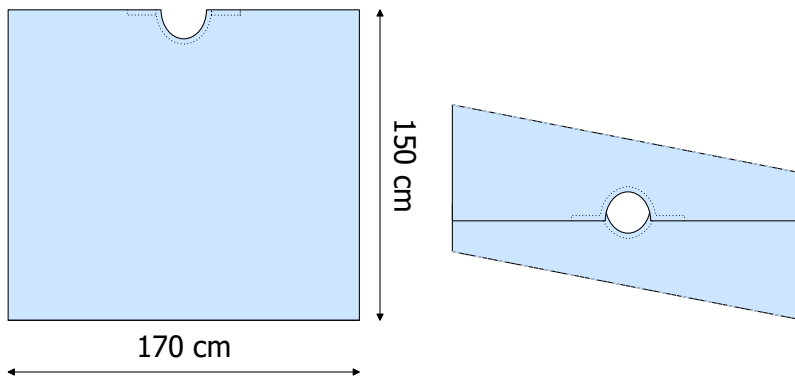
14.3 Small drapes, 2-ply material



 2-ply material

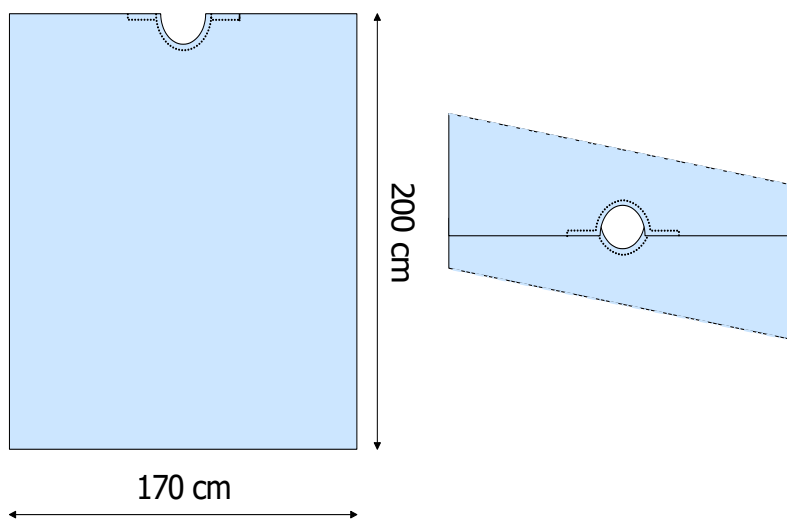
	Material	Reference number	Ordernumber sterile	Description	Quantity per case
1	2-ply	<u>1309428</u>	77000	75 x 90cm with tape	4 x 25 Dispenser box
2	2-ply	<u>1309572</u>	77001	75 x 90cm without tape	4 x 25 Dispenser box
3	2-ply	<u>1309403</u>	77002	75 x 90cm with tape and fenestration Ø 10cm	4 x 25 Dispenser box
4	2-ply	<u>1301114</u>	77003	75 x 90cm with tape and fenestration Ø 7cm	4 x 25 Dispenser box

14.4 Drapes with variable fenestration (Omega)



● Spunlace

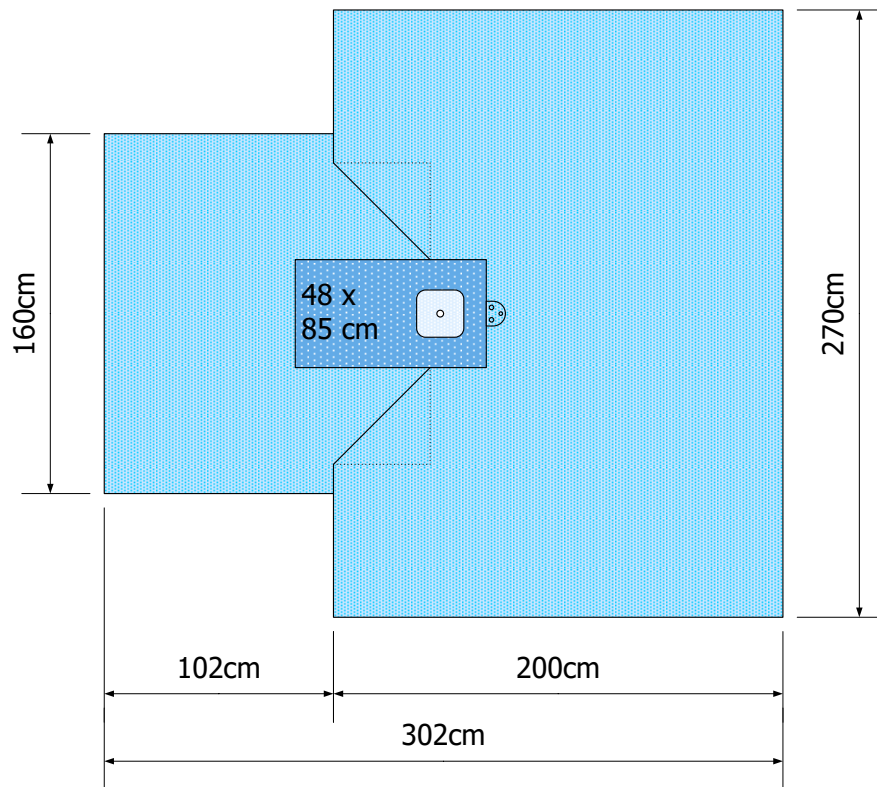
Material	Dimension	Reference number	Ordernumber sterile
Spunlace	150 x 170cm	1301824	110249AA
Fenestration up to 22 x 28cm			
Tape 2,5cm			



● Spunlace

Material	Dimension	Reference number	Ordernumber sterile
Spunlace	200 x 170cm	1307094	103476AA
Fenestration up to 22 x 28cm			
Tape 2,5cm			

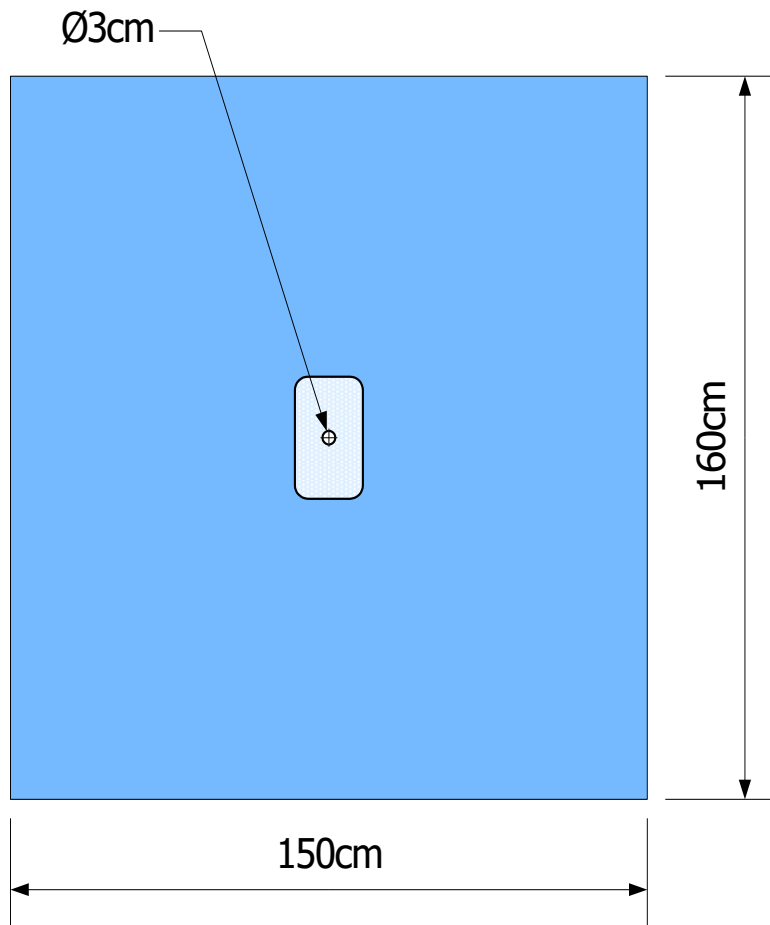
14.5 Hand drape SMS



SMS
 PSB3030
 Elastic material

Material	Dimensions	Reference number	Ordernumber sterile
SMS	160/270 x 302cm	1301926	106236AA
Fenestration Ø 3cm			

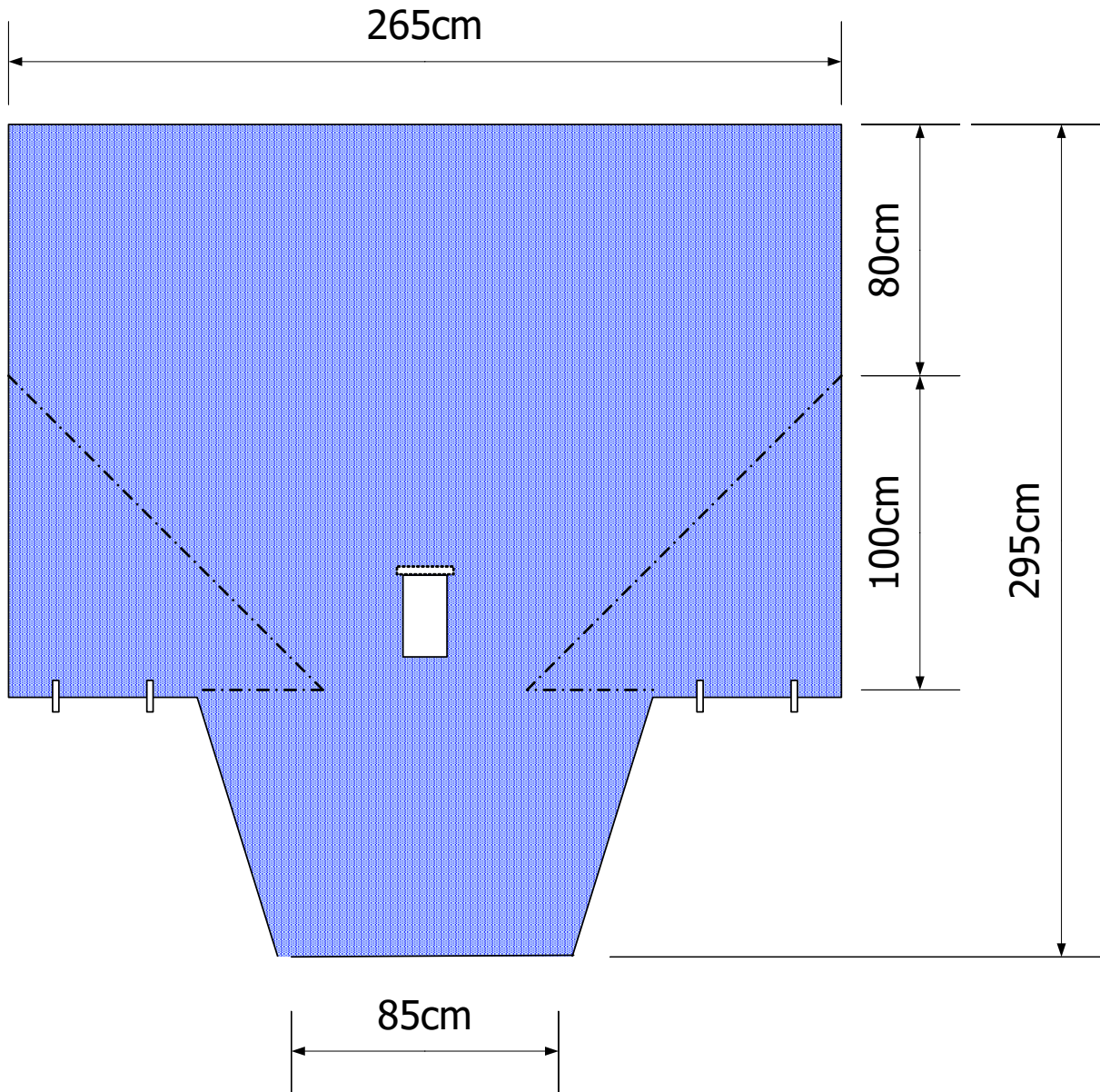
14.6 Extremity drape 2-ply



● 2-ply ○ Kraton

Material	Dimensions	Fenestration	Reference number	Ordernumber sterile
2-ply	160 x 150cm	Ø 3cm, kraton 27x16cm	1301576	109947AA

14.7 Gyn-Uro drape, 275 x 75/265 cm with leg covers

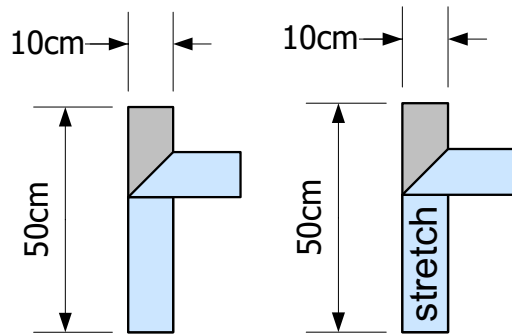


 2-ply

Material	Dimensions	Reference number	Ordernumber sterile
2-ply	295 x 85/265cm	1302127	104537AA
Fenestration 26 x 14cm			

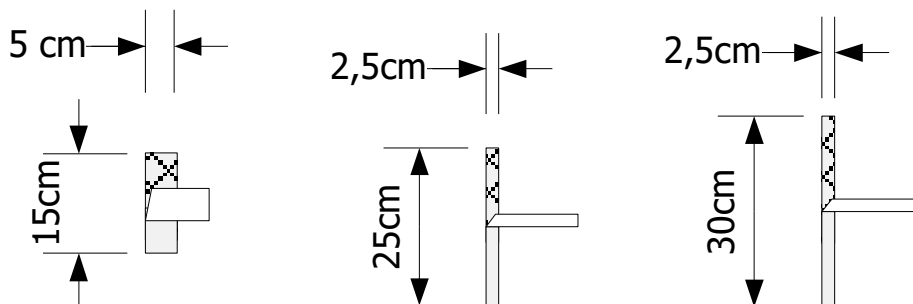
15. Accessories

15.1 Tape strip



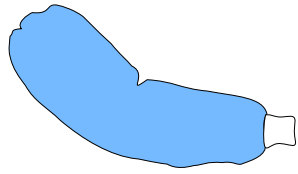
Material	Dimensions	Reference number	Ordernumber sterile	Quantity per case
Standard	10 x 50cm	1302102	22T788C	200
Stretch	10 x 50cm	1302104	22T790A / 11172EG	200

15.2 Cable holder



Material	Dimensions	Reference number	Ordernumber sterile	Quantity per case
Velcro	15 x 5cm	1302933	108764AA	2 x 15
Velcro	25 x 2,5cm	1302934	110799AA	40
Velcro	30 x 2,5cm	1302935	108604AA	2 x 50
Velcro	30 x 5cm	1304937	Ntb	ntb

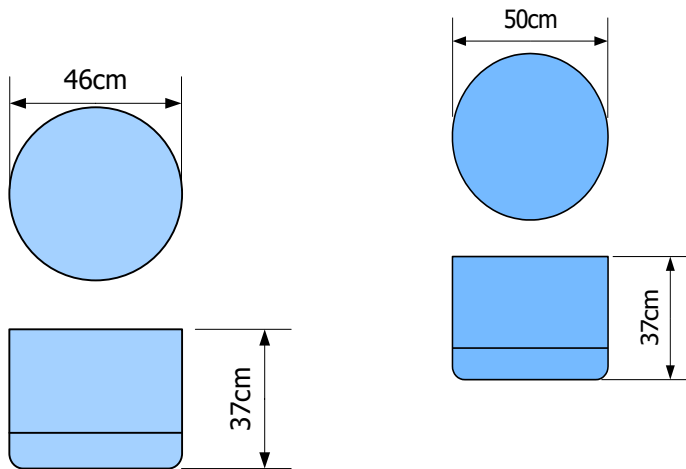
15.3 Armsleeve



● 2- ply material

Material	Dimensions	Reference number	Ordernumber sterile	Ordernumber non sterile
2-ply	46cm	1306944	117062AA (was 103680AA)	17085

15.4 Chair cover

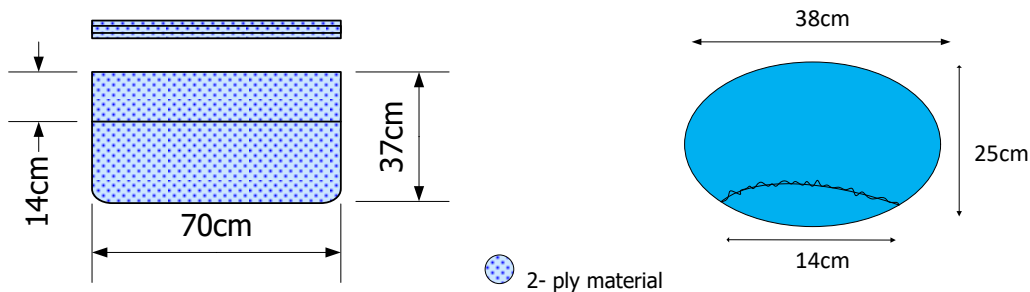


● Air laid/Wetlaid

● 2- ply material

Material	Dimensions	Reference number	Ordernumber sterile
Air laid/Wetlaid	37 x 72cm / round / cuff 10cm	<u>1301341</u>	103509AA
2-ply	37 x 50cm / round / cuff 13cm	<u>1307214</u>	112309AA

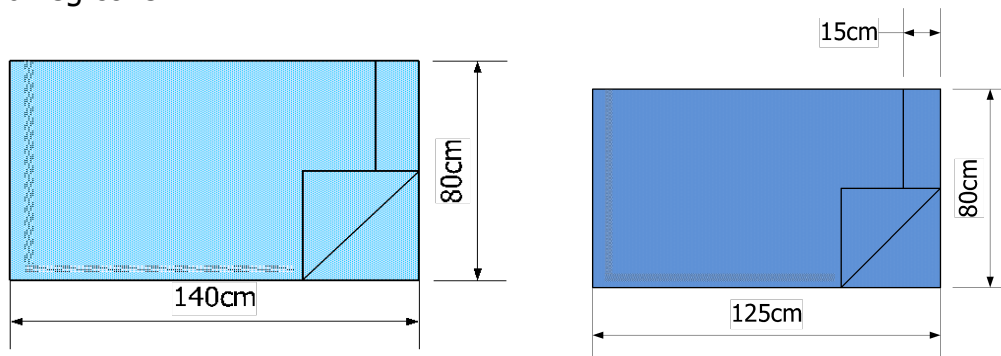
15.5 Chair cover / back support



● 2- ply material

Material	Dimensions	Reference number	Ordernumber sterile
2-ply	37 x 70cm / flat	1302550	110935AA
Spunlace	38 x 25cm / elastic	<u>1304815</u>	tbd

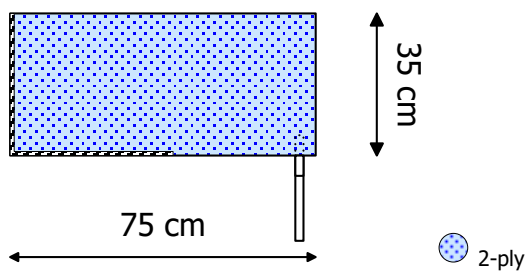
15.6 Leg cover



 SMS

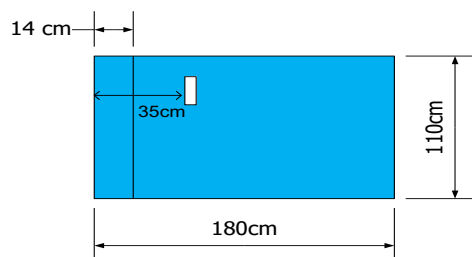
Material	Dimensions	Reference number	Ordernumber sterile
SMS	80 x 140cm	1301925	106259AA
SMS	80 x 140cm	1301925 x 2	106260AA
2PLY	80 x 125cm	1304688 x 2	115844aa

15.7 Armrest cover



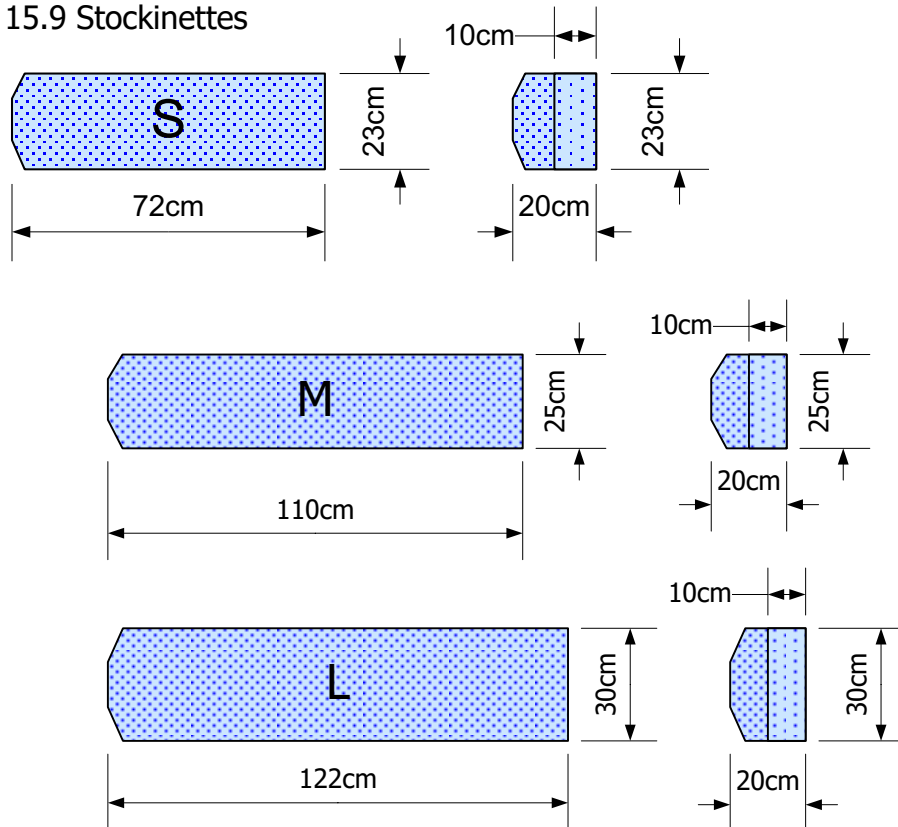
Material	Dimensions	Reference number	Ordernumber sterile
2-ply	35 x 75cm	1301739	112310AA

15.8 Navigation cover



Material	Dimensions	Reference number	Ordernumber sterile
SMS	110 x 180cm	1304307	114421AA

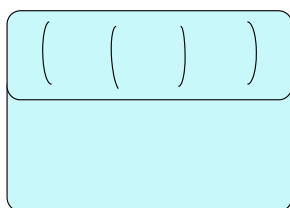
15.9 Stockinettes



2-ply material

Material	Dimensions	Reference number	Ordernumber sterile
2-ply	72 x 23cm (S)	1301491	104545AA
2-ply	110 x 25cm (M)	1307243	104546AA
2-ply	122 x 30cm (L)	1301513	117077AA (was 104547AA)
Telescoop gevouwen			

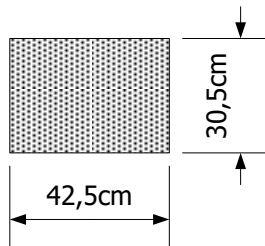
15.10 Roll Stockinettes



2-ply material

Material	Dimensions	Reference number	Ordernumber sterile
2-ply material	70 x 22cm (S)	1307379	105763AA
2-ply material	122 x 30cm (L)	1307380	105764AA
2-ply stretch	76 x 15cm (S)	1304793	116581AA
2-ply stretch	121 x 15cm (L)	1304792	116582AA

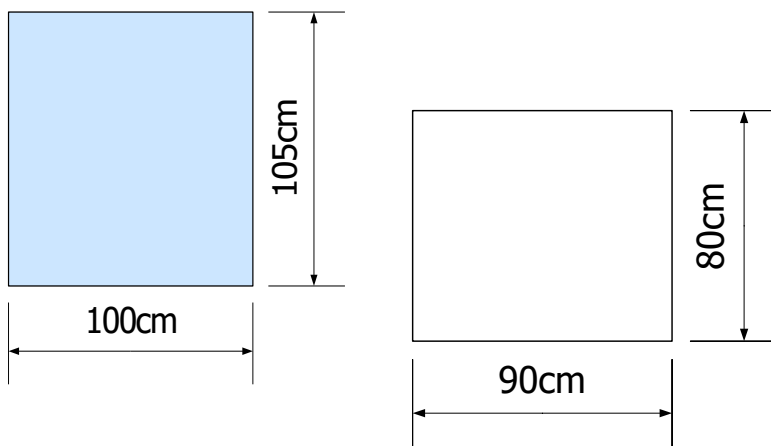
15.11 Towel



 Paper

Material	Dimensions	Reference number	Ordernumber sterile	Quantity per case	Ordernumber non sterile	Quantity per case
Papier	30,5 x 42,5cm	1306929	103666AA	200	67500	900

15.12 Baby blanket

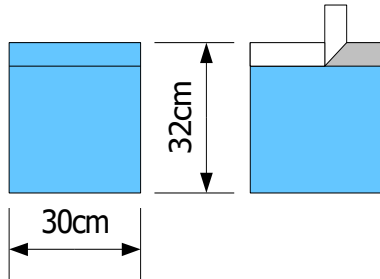


 Spunlace

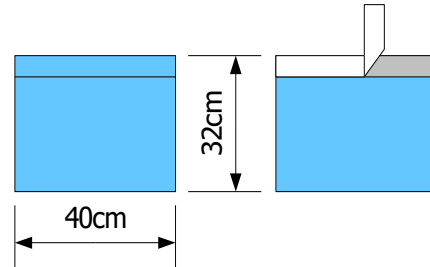
Material	Dimensions	Reference number	Ordernumber sterile
Spunlace	105 x 100cm	1306945	103677AA
Non woven	90 x 80cm	1304679	115833AA

15.13 Diathermy bags

15.13.1 Diathermy bag, 1 pouch

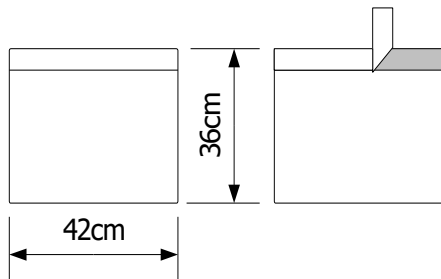


PE blue

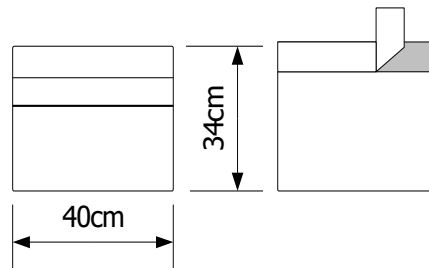


PE blue

Material	Dimensions	Reference number	Ordernumber sterile
PE blue	32 x 30cm	<u>1302084</u>	103513AA
PE blue	32 x 40cm	<u>1302149</u>	103148AA
1 pouch, tape on the backside			



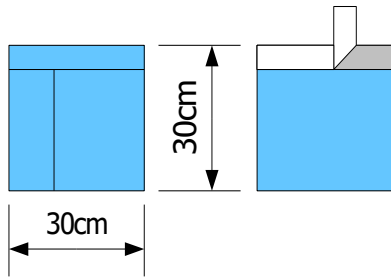
PE transparent



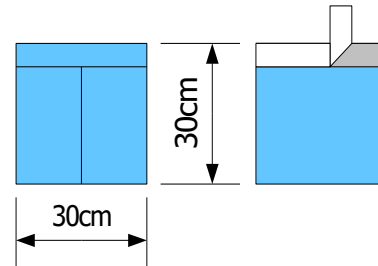
PE transparent

Material	Dimensions	Reference number	Ordernumber sterile
PE transparent	36 x 42cm	<u>1302265</u>	108471AA
PE transparent	34 x 40cm, tape 7cm	<u>1305854</u>	108234AA
1 pouch, tape on the backside			

15.13.2 Diathermy bags, 2 pouches

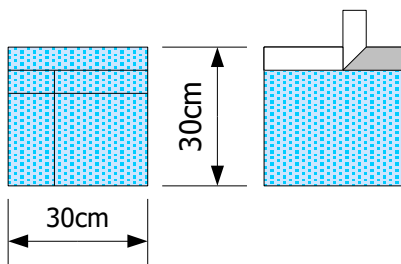


● PE/blue

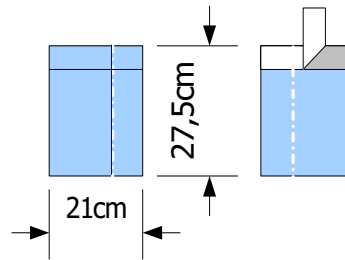


● PE/blue

Material	Dimensions	Reference number	Ordernumber sterile	Dimensions of the section
PE blue	30 x 30cm	<u>1302080</u>	103664AA	10cm + 20cm
PE blue	30 x 30cm	<u>1302082</u>	2580810	15cm + 15cm
2 pouches, tape on the backside				

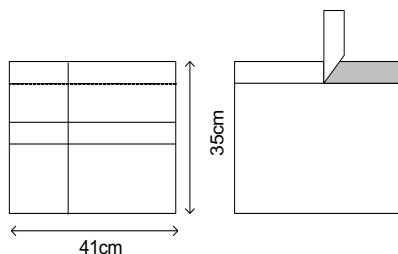


● SMS

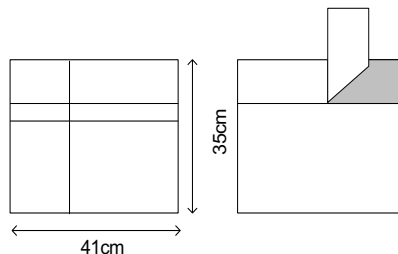


● Airlaid/Wetlaid

Material	Dimensions	Reference number	Ordernumber sterile	Dimensions of the section
SMS	30 x 30cm	<u>1302185</u>	117046AA (was 103547AA)	10cm + 20cm
Airlaid/Wetlaid	27,5 x 21cm	<u>1302078</u>	103665AA	15cm + 6,5cm
2 pouches, tape on the backside				



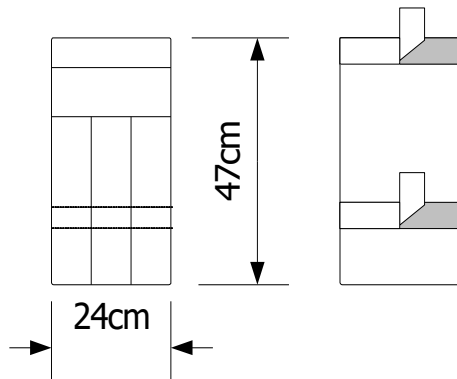
○ PE transparent



○ PE transparent

Material	Dimensions	Reference Number	Ordernumber sterile	Dimensions of the section
PE transparent	35 x 41cm	<u>1309480</u>	103019AA	14cm + 27cm
PE transparent	35 x 41cm, tape 10cm	<u>1305218</u>	108473AA	14cm + 27cm
2 pouches, tape on the backside				

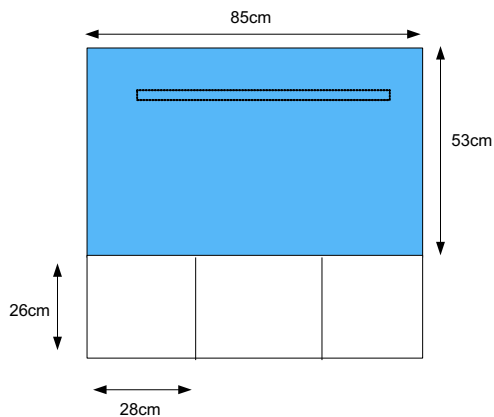
15.13.3 Instrument bag, 3 pouches



○ PE transparent

Material	Dimensions	Reference number	Ordernumber Sterile	Dimensions of the section
PE transparent	47 x 24cm	<u>1302568</u>	106613AA	8cm + 8cm + 8cm
PE transparent	48 x 25cm	<u>Tbd</u>	68543	8cm + 8cm + 8cm
3 pouches, tape on the backside				

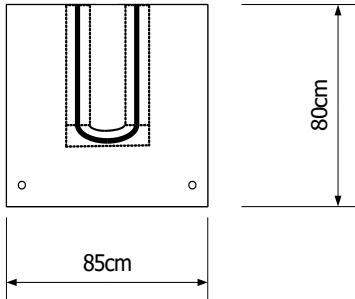
15.13.4 Endoscopic bag, 3 pouches



Material	Dimensions	Reference number	Ordernumber Sterile	Dimensions of the section
PE transparent + ABS material	79 x 87cm	1304404	114787AA	8cm + 8cm + 8cm
3 pouches, tape on the backside				
Also to be used as instrument pouch				

15.14 (Fluid collection) pouches

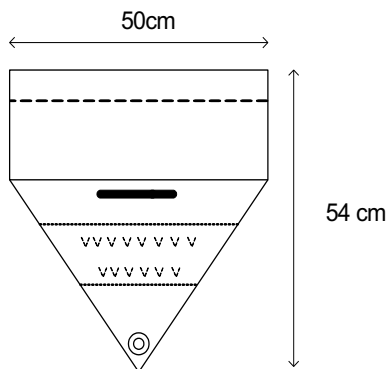
15.14.1 Fluid collection pouch, U-shape, 80 x 85cm with split 55 x 14cm



Transparent PE

Material	Dimensions	Reference number	Ordernumber sterile
Transparent PE	80 x 85cm	1303148	108390AA
Split 55 x 14cm, tape on the backside, 2 taps			

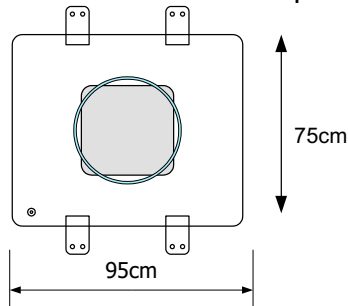
15.14.2 Fluid collection pouch, with sieve and drain possibility



Transparent PE

Material	Dimensions	Reference number	Ordernumber sterile
Transparent PE	54 x 50cm, depth 35cm	<u>1309812</u>	101428AA
Transparent PE	50 x 50cm, depth 50cm	1304746	115943AA
Pouch with sieve (perforated inner bag), drain possibility and flexwire			

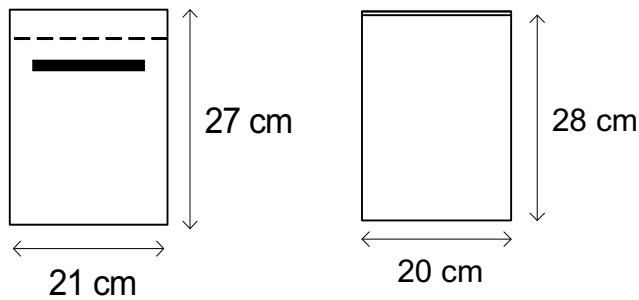
15.14.3 Fluid collection pouch, 360°



Transparent PE

Material	Dimensions	Reference number	Ordernumber sterile
Transparent PE	75 x 95cm	1304197	113795AA
Pouch with sieve (perforated inner bag), drain possibility and flexwire			

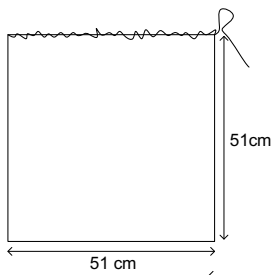
15.14.4 Small pouches



Transparent PE

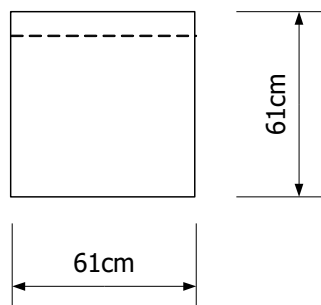
Material	Dimensions	Reference number	Ordernumber sterile
Transparent PE + tape + flexwire	27 x 21cm	1301318	110952AA
Transparent PE + slidergrip	28 x 20cm	1302512	tbd

Also used as remote controle pouch



Material	Dimensions	Reference number	Ordernumber sterile
Transparent PE + STRING	51 X 51cm	1304571	34934 (E)

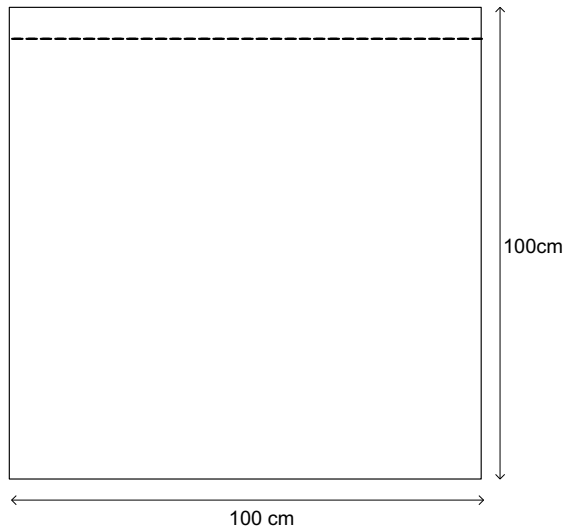
Also used to drape the feet



transparent PE

Dimensions	Material	Reference number	Ordernumber sterile
61 x 61cm	Transparent PE	1304184	113979AA

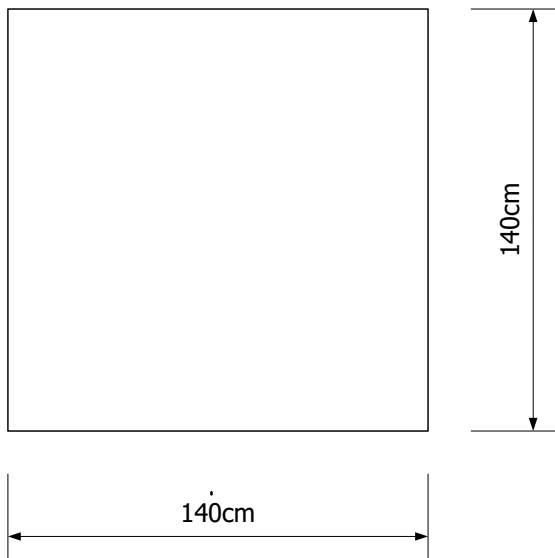
15.14.5 Pouch with tape, 100 x 100cm (hip pouch)



○ Transparent PE

Material	Dimensions	Reference number	Ordernumber sterile
Transparent PE	100 x 100cm	1303542	110431AA
Tape 5cm			

15.14.6 Pouch without tape, 140 x 140cm

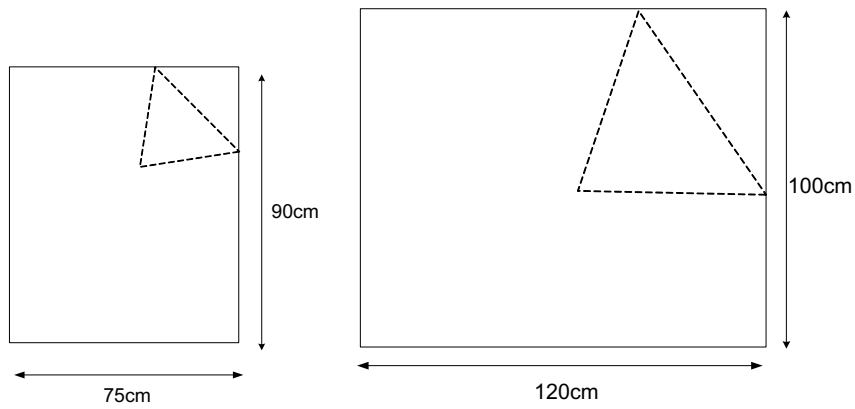


○ Transparent PE

Material	Dimensions	Reference number	Ordernumber sterile
Transparent PE	140 x 140cm	1306800	101964AA

15.15. Transparent covers

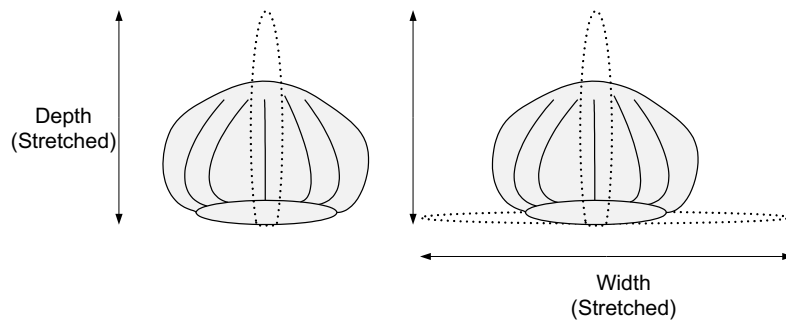
15.15.1 Transparent covers with two sides open



Material	Dimensions	Reference number	Ordernumber sterile
Transparent PE	90 x 75cm	1303391	tbd
Transparent PE	100 x 120cm	1303663	tbd

16 Equipment covers

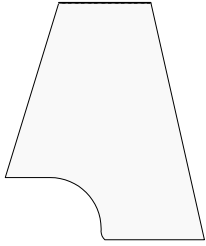
16.1 Dome bags, round



○ Transparent PE

Material	Dimension	Reference number	Order number NON sterile	REF supplier	Order number single STERILE	Quantity per case
PE clear	38cm deep	1306197		E5305N	tbd	
PE clear	43cm deep	1303198		E5327N	68565 (E)	100
PE clear	46cm deep	1308756			2541140	50
PE clear	51cm deep	1304854	06681	E5307N	68538 (E)	80
PE clear	56cm deep	1306195		E5308N	Tbd	
PE clear	61cm deep	1306199	06682	E5309N	68530 (E)	80
PE clear	64cm deep	ntb		E5310N	68523 (E)	80
PE clear	66cm deep	1306166		E5311N	68569 (E)	80
PE clear	115cm deep	ntb		E5321N	68522 (E)	60
PE clear	130cm deep	1304861		E5326N	tbd	
PE clear	140cm deep	ntb		E5324N	68505 (E)	40

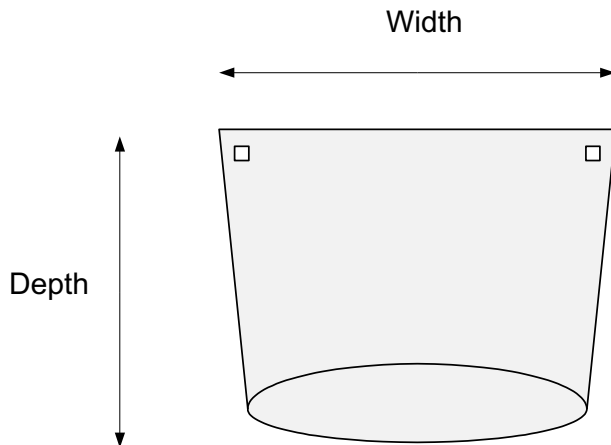
16.2 Band bags, special



Transparent PE

Material	Dimensions	Referentie nummer	Reference supplier	Ordernumber sterile	Quantity per case
PE clear	95 x 81cm, NOSESHAPE	1302386	E5424N	68531 (E)	80
PE clear	89 x 120cm, NOSESHAPE	1304638	E5476N	68561 (E)	70

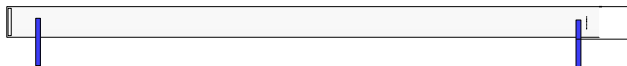
16.3 Band bags, square



○ Transparent PE

Dimensions (Width x depth)	Reference number	Order number NON sterile	REF supplier	Order number Single STERILE
53 x 61cm	1304745		E5412N	
76 x 76cm	1306204		E5459N	68563 (E)
76 x 91cm	1306205		E5422N	68524 (E)
79 x 91cm	ntb		E5467N	68548 (E)
91 x 51cm	1306206		1306206	105832AA
91 x 56cm	ntb	06675	E5428N	68552 (E)
91 x 76cm	1306207		E5460N	68559 (E)
91 x 91cm	1304772		E5431N	68549 (E)
91 x 104cm	1306208		E5432N	103744AA
91 x 112cm	ntb		E5435N	68568 (E)
91 x 127cm	1306209		E5462N	108761AA
102 x 97cm	1304441		E5437N	
102 x 102cm	1304201	06683	E5438N	
107 x 76cm	1306211		E5442N	104425AA
107 x 102cm	1306212		E5445N	103724AA
107 x 117cm	1304681		E5446N	
127 x 91cm	ntb		E5453N	68557 (E)
127 x 127cm	1304873		E5456N	68500 (E)

16.4 Drill covers



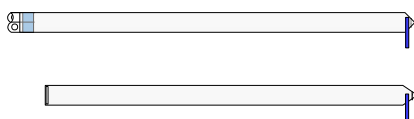
Material	Dimensions	Reference number	REF supplier	Ordernumber sterile
Transparent PE	8 x 120cm	1307182	E6541N	68555 (E)
Transparent PE+ card	8,5 x 175cm	1304361	E6542N	68510 (E)
SMS	10 x 115cm	1302676		tbd
2-ply	10 x 120cm	Tbd		94003A
PE	10,5 x 150cm	Tbd	E6543N	68520 (E)

16.5 Probe covers



Material	Dimensions	Reference number	REF supplier	Order number sterile
PE, no gel	5 x 61cm	tbd	E6300N	68556 (E)
Vip film	9 x 37cm	1304667	E6301N	tbd
VIP film + gel	10 x 122cm	1303901	E6407N	tbd
VIP film + gel	10 x 244cm	1303442	E6413N	68554 (E)
PE + gel, square tip	12 x 25cm	tbd	E6349N	68571 (E)
VIP film + gel	13 x 122cm	tbd	E6344N	68526 (E)
VIP film + gel, latex free tip	13 x 244cm	1307210	E6343N	tbd
VIP film +gel	13 x 244cm	1303565	E6341N	tbd
PE + gel	13 x 244cm	1304816	E6418N	tbd
PE + gel	15 x 61cm	1304731	E6427N	tbd
VIP film + gel	15 x 61cm	tbd	E6428N	68529 (E)
VIP film + gel	15 x 122cm	1303116	E6432N	68539 (E)
PE, no gel	15 x 122cm	1304833	E6322N	tbd
PE, no gel, square tip	15 x 200cm	1304606	E6347N	68540 (E)
VIP film + gel	15 x 244cm	1302112	E6435N	68550 (E)
PE + gel	15 x 244cm	1304631	E6434N	68570 (E)
PE, no gel	15 x 244cm	1304814	E6326N	68545 (E)
PE, no gel, square tip	18 x 28cm	tbd	E6328N	68553 (E)
PE + gel	18 x 160cm	1304775	E6440N	tbd

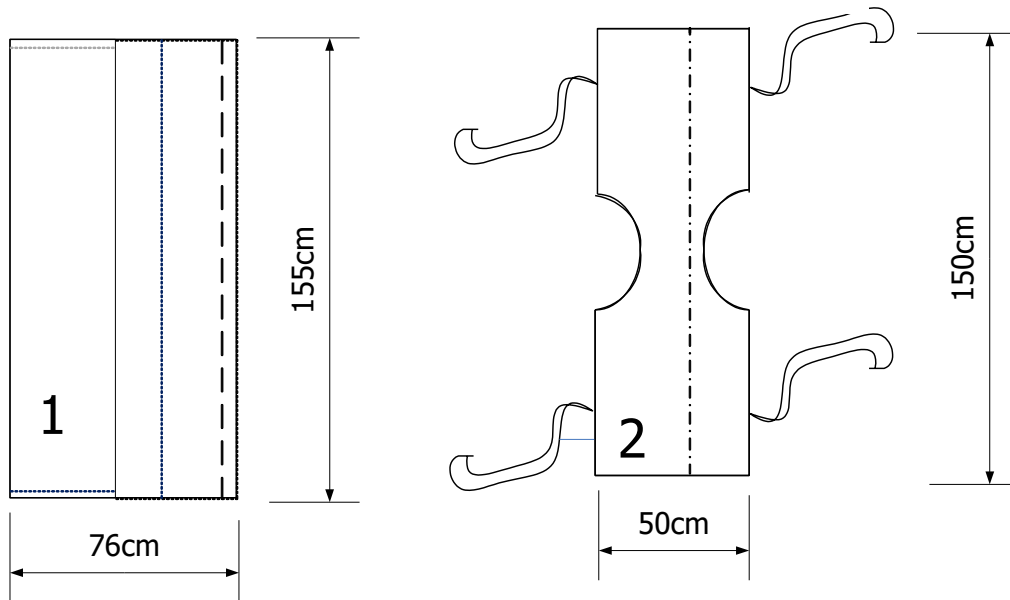
16.6 Camera covers



Material	Dimensions	Reference number	Ref supplier	Order number steriel
PE, open end	8 x 120cm	1302670		tbd
PE, insert card	8 x 172cm	1302557		tbd
PE, perf. tip	13 x 244cm	1304372	E6209	tbd
PE, perf. tip, reversed folding	13 x 244cm	1304732	E6204	tbd
PE, perf. tip, insert card	13 x 250cm	1304439	E6213	68551 (E)
PE, perf. tip, insert card	13 x 259cm	1304589	E6207	68521 (E)
PE, elast. tip, white	18 x 244cm	tbd	E6233	68534 (E)
PE, elast. tip, blue	18 x 244cm	tbd	E6232	68535 (E)
PE, coupler system	23 x 244cm	tbd	E6230	68542 (E)

Material	Dimensions	Reference number	Ref supplier	Order number NON sterile
PE, Siemens mammo	81 x 56/30cm	1307250		06645

16.7 ASTOPAD covers



PSB white

	Dimensions	Material	Reference number	Ordernumber non sterile	Quantity per case
1	155 x 76cm	PSB white	COV150	83388	50
2	150 x 50cm	PSB white	COV155	83389	50

17 Disposable apparel

17.1 Visitor gown with cuff



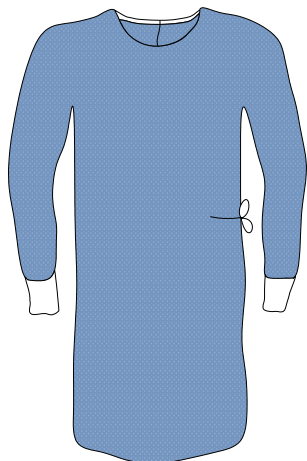
● PSB

● PSB

● PSB/ PE layer

Material	Size	Reference number	Ordernumber non sterile	Quantity per case
PSB	XL, geel	1301691	06542	100
PSB	XL, blue	ntb	06579	100
PSB with PE layer	XL, blue	ntb	06670	100

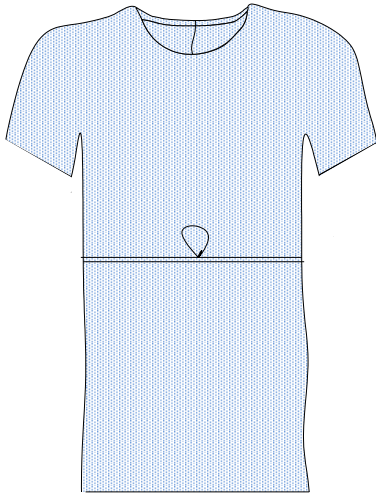
17.2 SMS isolation gown with side closure



● SMS

Material	Size	Reference number	Ordernumber non sterile	Quantity per case
SMS	XL with ribbon	_	06580	100
SMS	XL, with velcro	_	06667	100

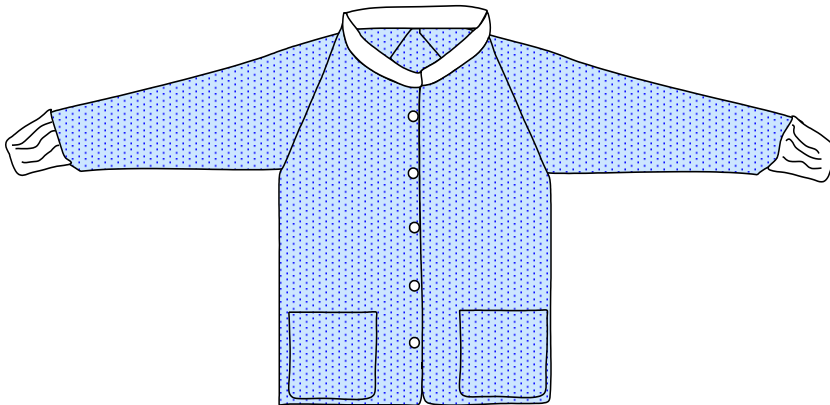
17.3 ICU-gown / patient gown



● SMS

Material	Size	Ordernumber non sterile	Quantity per case
SMS	One size	06662A	100

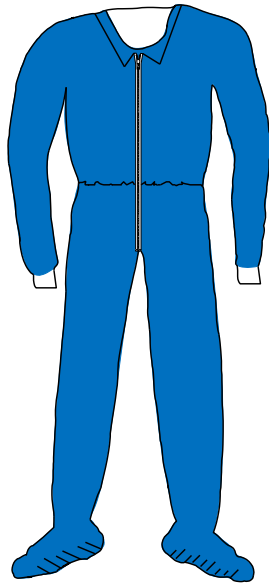
17.4 Warm-up jacket



● Spunlace

Material	Size	Reference number	Ordernumber non sterile	Quantity per case
Spunlace	M/L with long sleeves	1302777	106914AA	
Spunlace	XL with long sleeves	1303159	108286AA	
Spunlace	XL with long sleeves	Tbd	06666	50
Spunlace	XL with half sleeves	Tbd	06673	50
Spunlace	M/L with half sleeves	1307298	104201AA	

17.5 Coverall

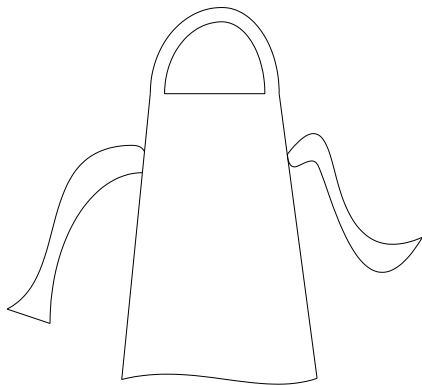


● SMS

Material	Size	Ordernumber non sterile	Quantity per case
SMS	XL	06664	50
SMS	XXL	06665	50

17.6 Apron

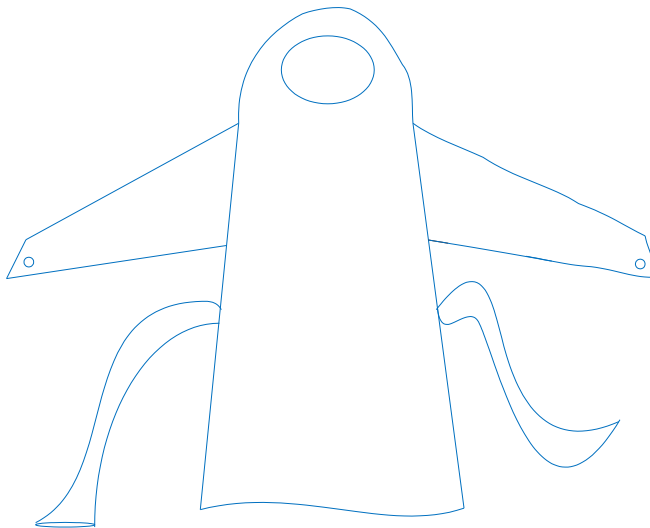
17.6.1 Apron without sleeves



PE white

Material	Dimension	Reference number	Ordernumber non sterile	Quantity per case
PE white	80 x 125cm	tbd	06668	500
PE white	80 x 165cm	tbd	06669	500
100 pieces in a dispenser box, 5 dispenser boxes in one carton				

17.6.2 Apron with sleeves



PE blue

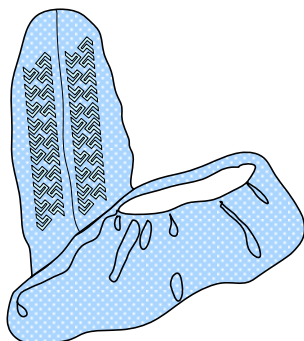
Material	Dimensions	Reference number	Ordernumber non sterile	Quantity per case
PE blue	80 x 125cm	tbd	06470	200
10 pieces in a bag, 20 bags in one case				

17.7 Headwear



Description	Reference number	Ordernumber non sterile	Quantity per case
Bouffant 24 inch (61cm) large	1301915	06582A	1000
100 pieces in a dispenser box, 10 dispenser boxes in one case			

17.8 Shoe cover



Non skid shoe cover

Description	Reference number	Ordernumber non sterile	Quantity per case
Non skid shoe cover	1301673	06536	300
100 pieces in a dispenser box, 3 dispenser boxes in one case			